

MATERIALS AND FINISHES

BODY STAINLESS STEEL  
PASSIVATED

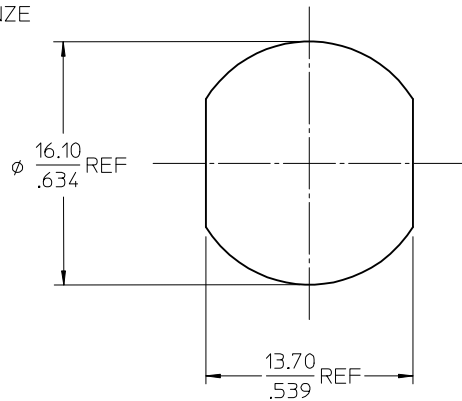
JAM NUT BRASS  
PLATED NICKEL

CENTER CONTACT BERYLLIUM COPPER  
PLATED GOLD

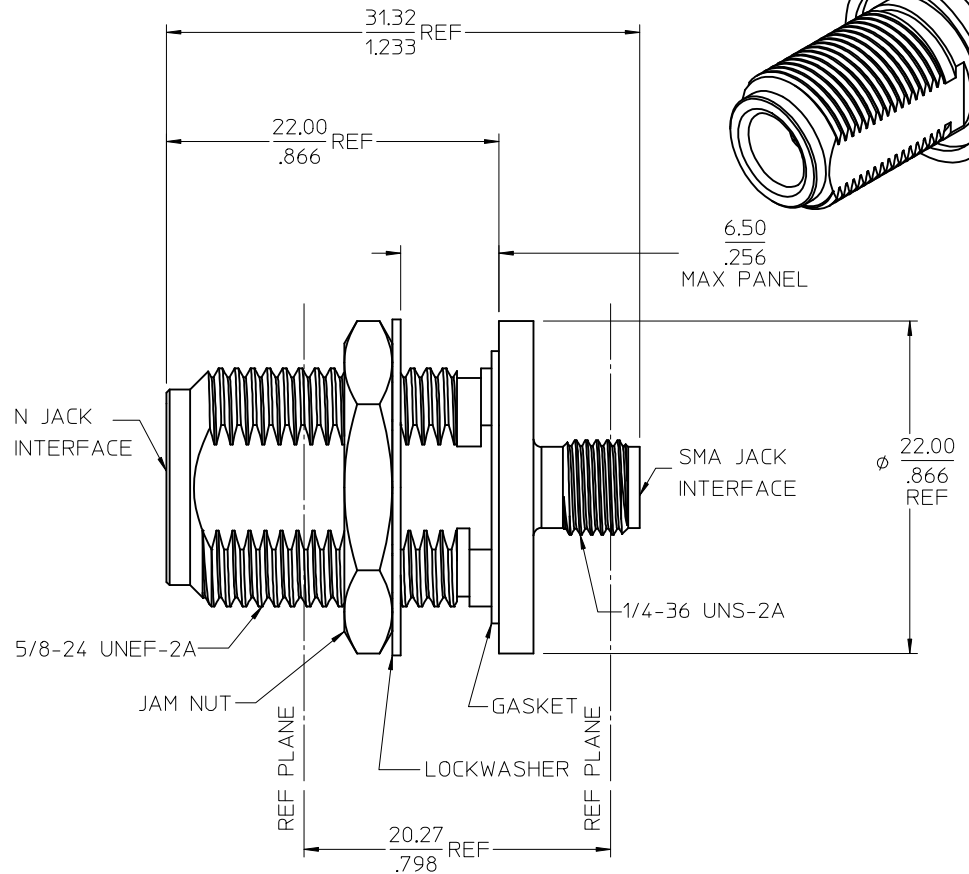
INSULATOR TEFLON

GASKET SILICONE RUBBER

LOCK WASHER PHOSPHOR BRONZE  
PLATED NICKEL



RECOMMENDED  
MOUNTING HOLE



MIL-STD-348A, FIG 304-2	N INTERFACE
MIL-STD-348A, FIG 310-2	SMA INTERFACE
PS-89675-2720	ELEC/MECH PERFORMANCE
SPECIFICATION	DESCRIPTION

73386-1091	73386-1090, ONE PER BAG
73386-1090	BULK
PART NO.	PACKAGING

CHG: ADDED P/N 73386-1091 EC NO: URF2007-0287 DRWN:FLAHERTY 2007/02/08 CHKD:SSHAH 2007/02/08 APPR:JWIENER 2007/02/08 REV: A1	QUALITY SYMBOLS	GENERAL TOLERANCES (UNLESS SPECIFIED)	DIMENSION STYLE	SCALE	DESIGN UNITS	THIRD ANGLE PROJECTION
	▽=0 ▽=0	mm INCH 4 PLACES ± --- ± --- 3 PLACES ± --- ± --- 2 PLACES ± --- ± --- 1 PLACE ± --- ± --- ANGULAR ± 2 °	MM/IN	DRAWN BY DATE JM 2005/08/23 CHECKED BY DATE JM 2005/08/23 APPROVED BY DATE JDW 2005/08/23	METRIC	BSA, N JACK BULKHEAD TO SMA JACK, 50 OHMS EWR-2892, BSA-NJ/SMAJ MOLEX INCORPORATED
	DRAFT WHERE APPLICABLE MUST REMAIN WITHIN DIMENSIONS	SEE TABLE	MATERIAL NO.	DOCUMENT NO.	SHEET NO.	
			SD-73386-109	SD-73386-109	1 OF 1	
		THIS DRAWING CONTAINS INFORMATION THAT IS PROPRIETARY TO MOLEX INCORPORATED AND SHOULD NOT BE USED WITHOUT WRITTEN PERMISSION				