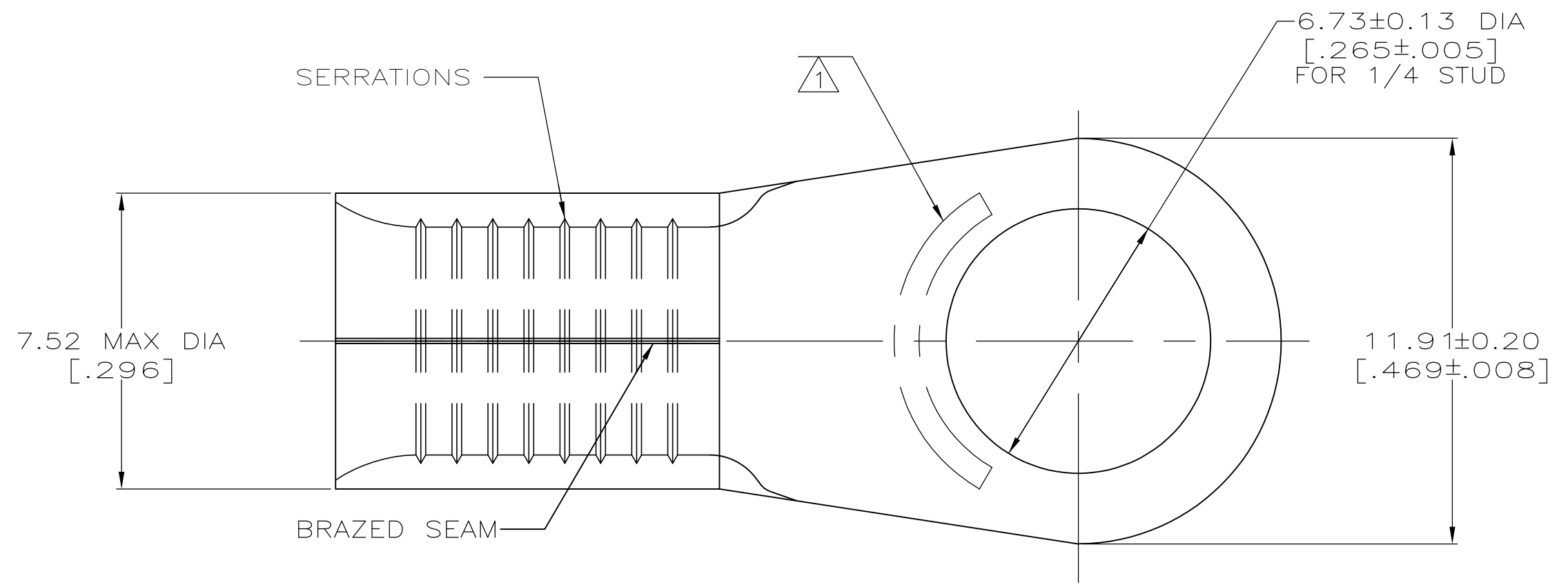


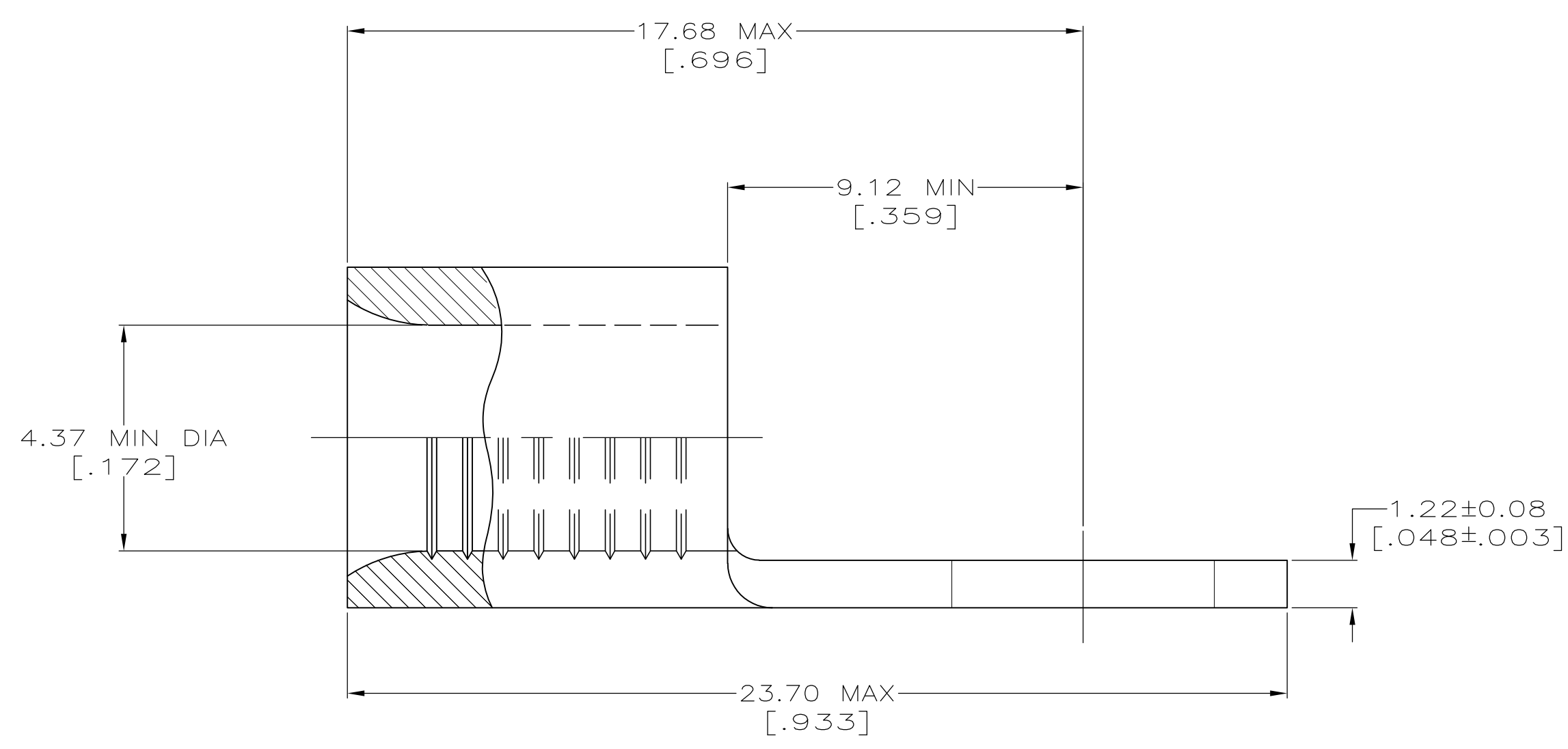
LOC	DIST	REVISIONS					
G	14	P	LTR	DESCRIPTION	DATE	OWN	APVD
		C2		REVISED PER ECO-11-005027	11MAR11	RK	HMR



**AMP**  
 WIRE RANGE

8 AWG  
 SOLID OR STRANDED

- 1 STAMP AMP 8\* APPROX AS SHOWN
- 2 COPPER PER ASTM B-152, ANNEALED
- 3 NICKEL PLATE 0.00762 [.000300] MIN THK PER QQ-N-290



323166  
 PART NO.

MAX RECOMMENDED OPERATING TEMPERATURE: 343°C MAX	THIS DRAWING IS A CONTROLLED DOCUMENT.		DWN TA BRINKMAN 4-19-93	TE Connectivity		
	VOLTAGE RATING: N/A	DIMENSIONS: mm[INCHES]	TOLERANCES UNLESS OTHERWISE SPECIFIED:		CHK DA PATTERSON 4-19-93	
CIRCULAR MIL AREA: 6.64-10.5mm²[13,100-20,800] SOLID OR STRANDED		0 PLC ± - 1 PLC ± - 2 PLC ± - 3 PLC ± - 4 PLC ± - ANGLES ± ± -	APVD JL MECKLEY 4-19-93	NAME TERMINAL, RING TONGUE, HEAT RESISTANT, STRATO-THERM		
			MATERIAL - 2	FINISH - 3	PRODUCT SPEC - APPLICATION SPEC - WEIGHT -	SIZE A2
CUSTOMER DRAWING			SCALE 8:1	SHEET 1 OF 1	REV C2	