

MATERIALS & SPECIFICATIONS

| | | | | | |
|----------|-------------|-----|-------|----------|-----|
| PART NO. | A 79112-001 | REV | ECO | DATE | APP |
| | | E | 99855 | 09-16-13 | TLM |

INSULATOR MATERIAL:

THERMOPLASTIC POLYMER PER MIL-DTL-32139

CONTACT MATERIAL:

COPPER ALLOY PER MIL-DTL-32139. GOLD PLATED PER ASTM B488, (HARD GOLD) TYPE II CODE C CLASS 1.27

TERMINATION:

SOLDER COATED WITH SN63 PER J-STD-006 OR SN60 PER AMS-P-81728

CURRENT CAPACITY:

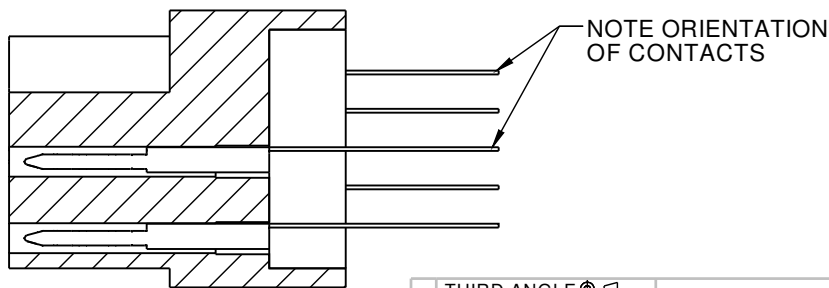
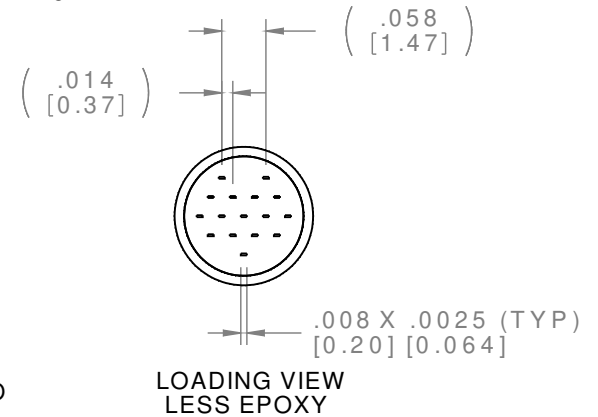
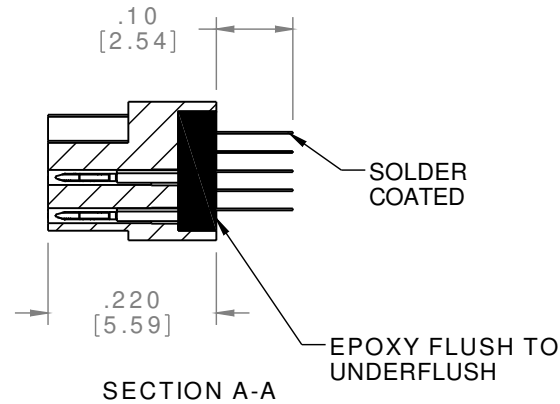
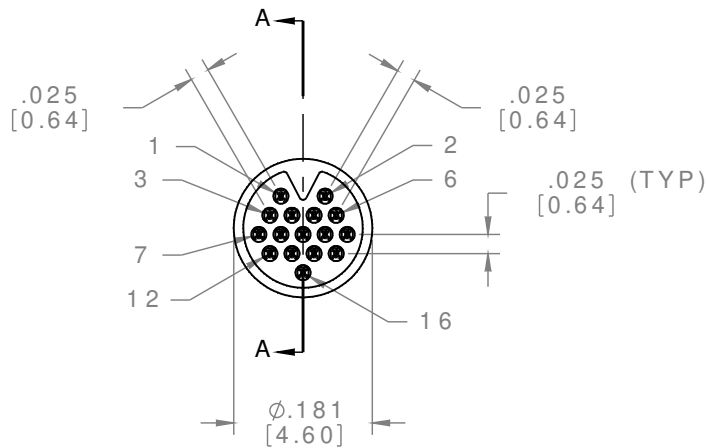
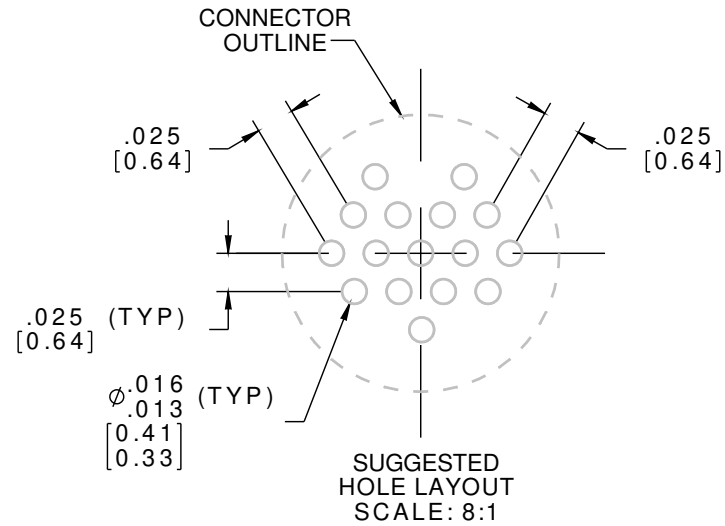
1 AMP MAX PER MIL-DTL-32139

CONTACT RESISTANCE:

71 MILLIOHMS (71 mV) MAX @ 1.0 AMPS PER MIL-DTL-32139



ACTUAL SIZE



VIEW
LESS EPOXY
SCALE 8:1

| | |
|------------------|------------------------|
| NCP SLDW | THIRD ANGLE |
| | -TOLERANCES- |
| | UNLESS OTHERWISE NOTED |
| | DIMENSIONS IN INCHES |
| 2 PL DEC ± .01 | |
| 3 PL DEC ± .005 | |
| 4 PL DEC ± .0005 | |
| ANGLES ± 1° | |

| | |
|--|---------------|
| THIS DRAWING CONTAINS CONFIDENTIAL AND PROPRIETARY INFORMATION WHICH IS THE PROPERTY OF OMNETICS CONNECTOR CORP. THIS DOCUMENT MAY NOT, IN WHOLE OR IN PART, BE DUPLICATED, OR DISCLOSED FOR ANY PURPOSE, WITHOUT WRITTEN PERMISSION FROM OMNETICS CONNECTOR CORP. | |
| DFTM. ACM | DATE 01-22-09 |
| CHK'D. | DATE |
| APP'D. | DATE |
| TITLE: (16) PIN MALE NANO CIRCULAR CONNECTOR | |

OMNETICS
CONNECTOR CORPORATION
7260 COMMERCE CIRCLE EAST
MINNEAPOLIS, MN 55432
WWW.OMNETICS.COM

| |
|--------------------|
| CAGE CODE 61873 |
| DWG NO. A79112-001 |
| SHEET 1 OF 1 |
| SCALE: 4:1 |
| REV E |