

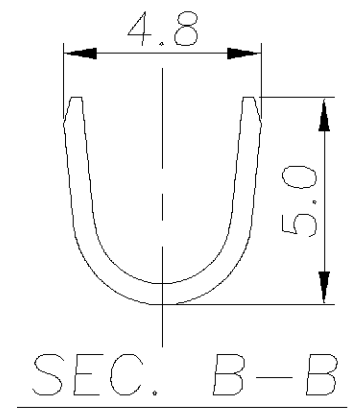
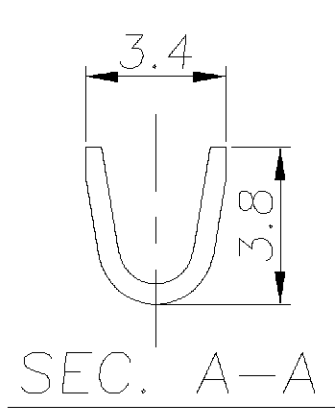
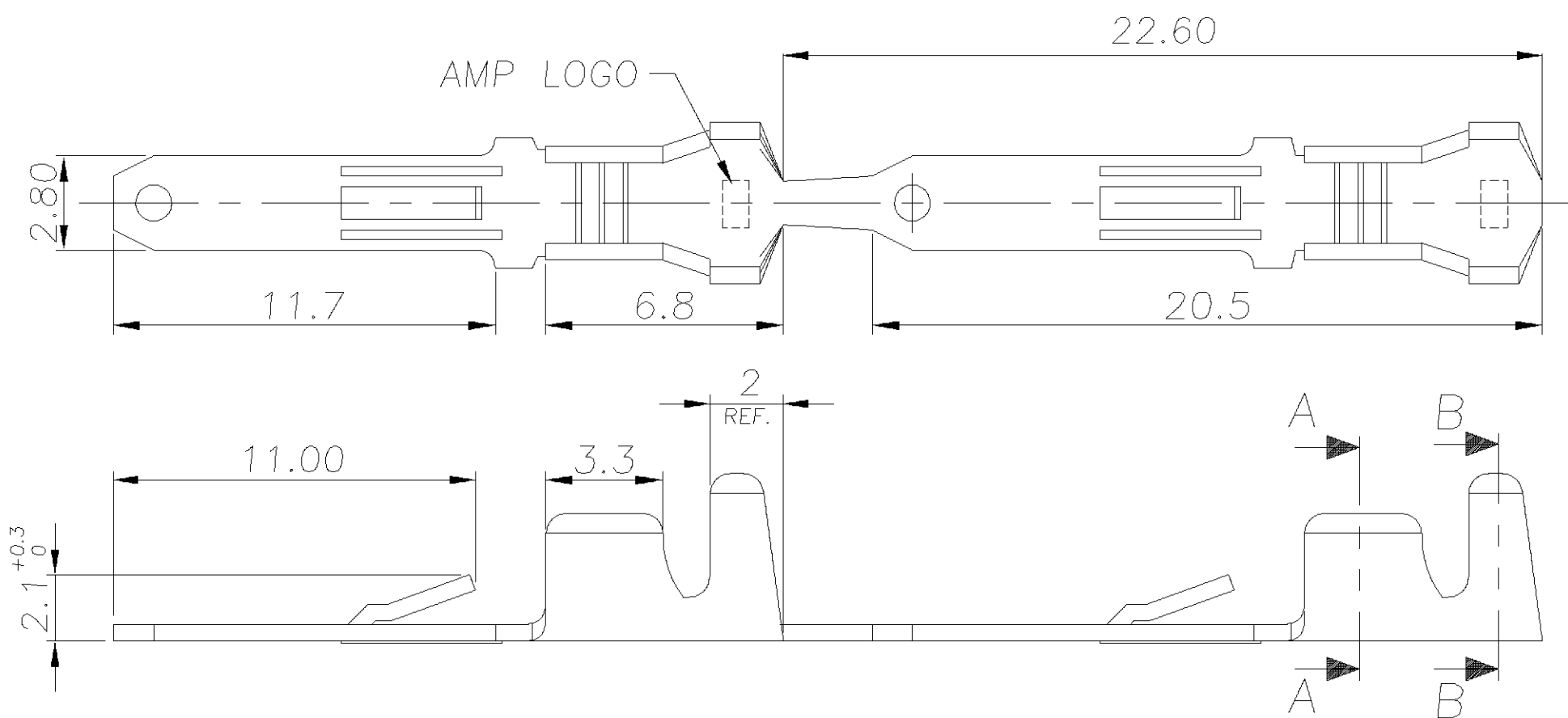
NUMBER
C-1470236

3RD ANGLE PROJECTION

METRIC

THIS INFORMATION IS CONFIDENTIAL AND IS DISCLOSED TO YOU ON CONDITION THAT NO FURTHER DISCLOSURE IS MADE BY YOU TO OTHER THAN AMP PERSONNEL WITHOUT WRITTEN AUTHORIZATION FROM AMP (TAIWAN) LTD. DIMENSIONS IN MILLIMETERS. DO NOT SCALE PRINT.

PRINT
DW



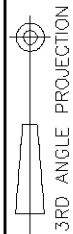
- NOTES :
- MATERIAL :
TERMINAL : BRASS C2680H, T=0.5mm
 - FINISH : TIN PLATING
 - APPLACTION :
ASSEMBLED WITH P/N : 1470241 SERIES HSG
WIRE SIZE : AWG #18~#16

	1470236-2
	1470236-1
PLATING THICKNESS	PART NUMBER

DIMENSION :	DWN	S. HOU	TYCO HOLDINGS (BERMUDA) VII LTD. TAIWAN BRANCH	
0 PLC ±0.5	CHK	10-APR-2002	NAME	
1 PLC ±0.3		J. CHENG		
2 PLC ±0.2		10-APR-2002	TAB, FASTIN-FASTON, .110 SERIES	
3 PLC ±				
ANGLES ±3'			LOC DW A ₃ DRAWING NO C-1470236 REV 0	
MATERIAL	APVD	J. WU		
SEE NOTE	PRODUCT SPEC	10-APR-2002	SCALE -- SHEET 1 OF 2	
FINISH	APPLICATION SPEC			
SEE NOTE	WEIGHT			

0	NEW RELEASED	FZ00-0089-02	SH JC	10APR 2002
LTR	REVISION RECORD	ECN	DWN CHK	DATE

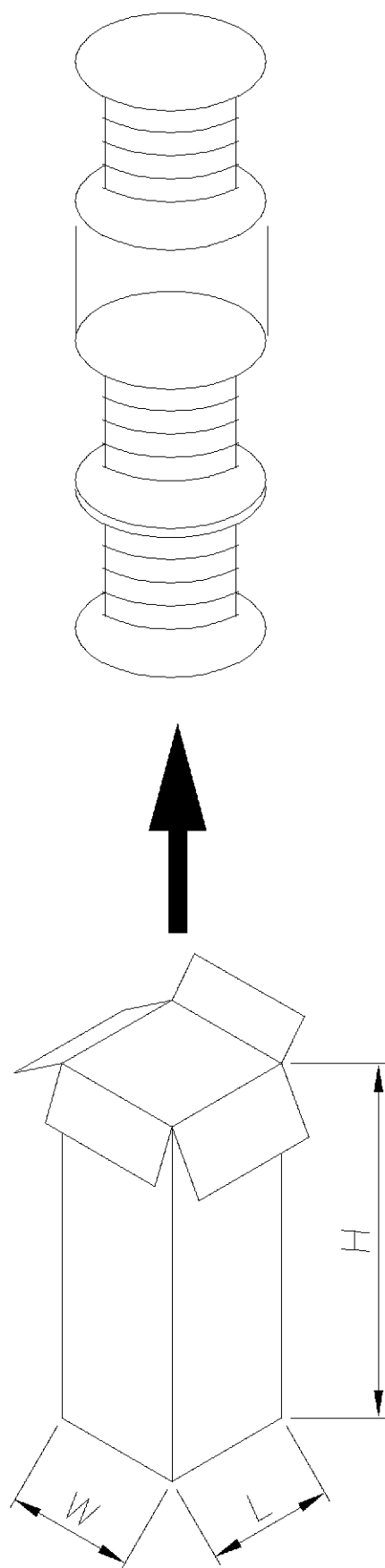
NUMBER
C-1470236



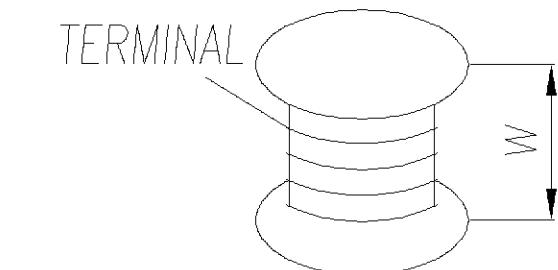
METRIC

THIS INFORMATION IS CONFIDENTIAL AND IS DISCLOSED TO YOU ON CONDITION THAT NO FURTHER DISCLOSURE IS MADE BY YOU TO OTHER THAN AMP PERSONNEL WITHOUT WRITTEN AUTHORIZATION FROM AMP (TAIWAN) LTD. DIMENSIONS IN MILLIMETERS. DO NOT SCALE PRINT.

PRINT
DW



SHIPPING CARTON



REEL

NOTE :
1. DIMENSION :
REEL : $\phi 260$, $W=150$
SHIPPING CARTON:
 $L=275$, $W=275$, $H=480$
2. QUANTITY :
10,000 PCS/REEL
3 REEL/SHIPPING CARTON

SEE SHEET 1	ECN	DWN	CHK	DATE
LTR	REVISION RECORD			

DIMENSION : 0 PLC \pm 1 PLC ± 0.3 2 PLC ± 0.15 3 PLC ± 0.1 ANGLES $\pm 3'$	DWN	S. HOU 10-APR-2002	AMP TYCO HOLDINGS (BERMUDA) VII LTD. TAIWAN BRANCH	
	CHK	J. CHENG 10-APR-2002		
MATERIAL SEE NOTE	APVD	J. WU 10-APR-2002	NAME TAB, FASTIN-FASTON, .110 SERIES	
	PRODUCT SPEC			
FINISH SEE NOTE	APPLICATION SPEC		LOC	SIZE
	WEIGHT		DW	A ₃
			DRAWING NO	REV
			C-1470236	0
			SCALE	SHEET
			--	2 OF 2