

# Customer Information Sheet

DRAWING No.: M80-4D1XXXXSI

SHEET 2 OF 2

IF IN DOUBT - ASK

©

NOT TO SCALE

THIRD ANGLE PROJECTION

ALL DIMENSIONS IN mm

**SPECIFICATIONS:**

**MATERIAL:**  
 MOULDING = GLASS-FILLED PPS, UL94V-0, BLACK  
 CONTACT CLIP = BERYLLIUM COPPER  
 CONTACT SHELL = BRASS  
 BACKSHELL = ALUMINIUM ALLOY  
 BANDIT TIE & J/SCREW = STAINLESS STEEL

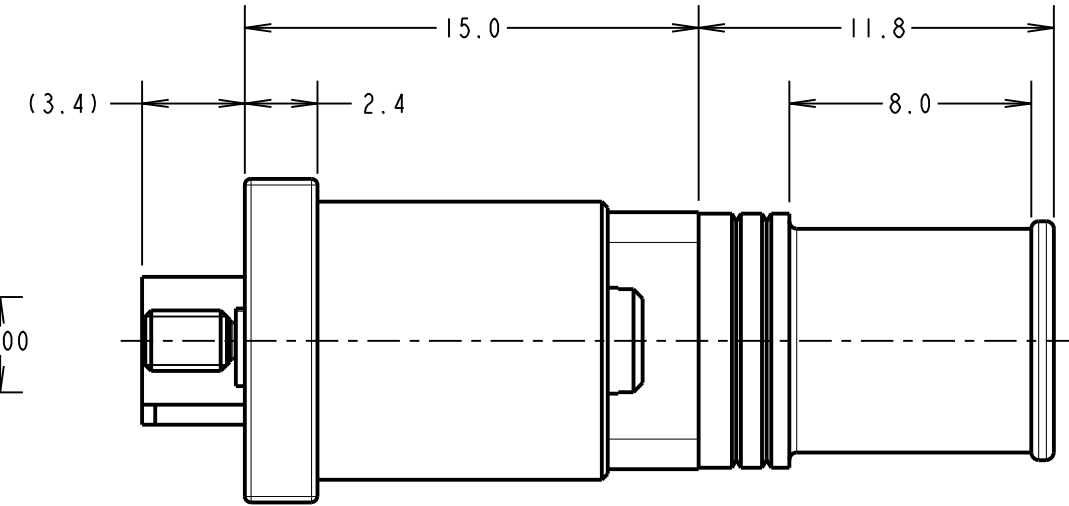
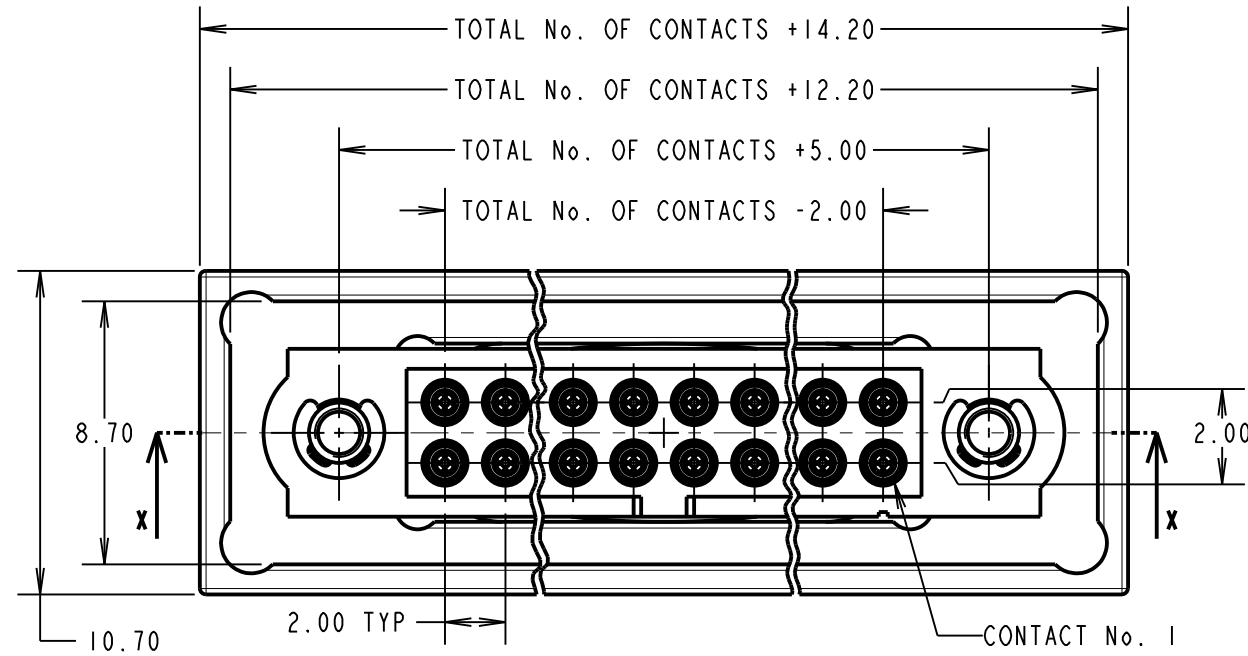
**FINISH:**  
 CONTACTS  
 05 = 0.3µ GOLD CLIP, 0.25-0.3µ GOLD SHELL  
 42 = 0.3µ GOLD CLIP, 3.5-5.0µ 100% TIN SHELL OVER NICKEL  
 BACKSHELL = NICKEL

**ELECTRICAL:**  
 RF ATTENUATION = 10kHz TO 400MHz @ >30dBs  
 IN GENERAL ACCORDANCE WITH MIL STD 1377 (1971)  
 CURRENT RATING AT 25°C = 3.0A MAX  
 CURRENT RATING AT 85°C = 2.2A MAX  
 WORKING VOLTAGE = 120V AC/DC  
 VOLTAGE PROOF = 360V AC/DC  
 CONTACT RESISTANCE = 25 mΩ MAX  
 INSULATION RESISTANCE = 100 MΩ MIN

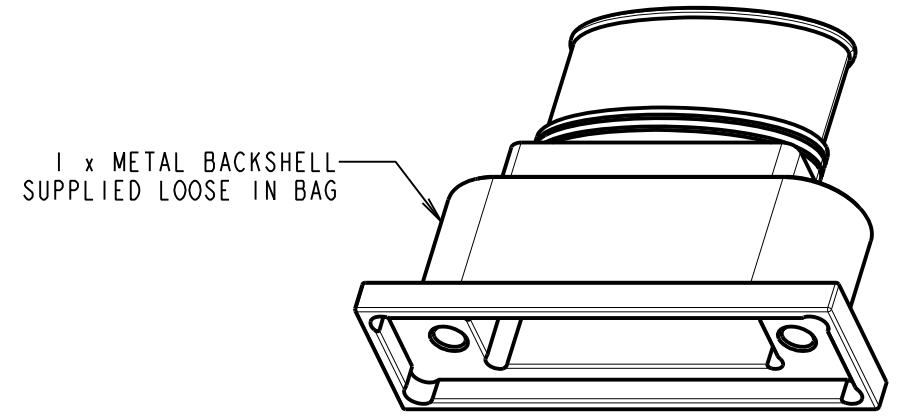
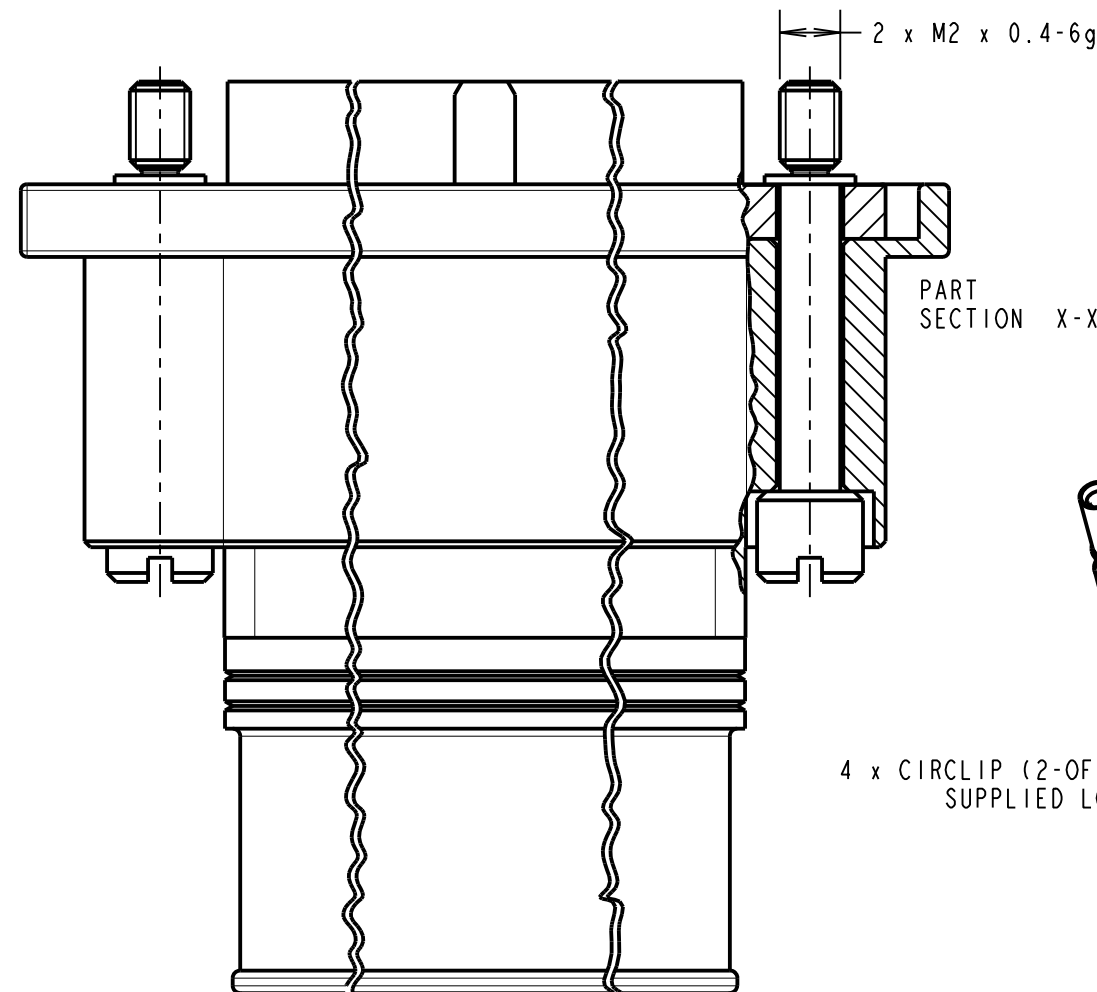
**MECHANICAL:**  
 INSERTION FORCE (∅0.5mm GAUGE) = 2.8N MAX  
 WITHDRAWAL FORCE (∅0.5mm GAUGE) = 0.2N MIN

**ENVIRONMENTAL:**  
 TEMPERATURE RANGE = -55°C TO +121°C

**PACKING:**  
 SEE NOTES  
 FOR COMPLETE SPECIFICATION, SEE COMPONENT SPECIFICATION C005XX (LATEST ISSUE) AND C042XX (LATEST ISSUE)



- NOTES:**
- CONNECTOR IS SUPPLIED AS A KIT OF PARTS IN A BAG. BAGS WILL BE BULK PACKED INTO BOXES.
  - FOR EXTRA CONTACTS, USE PART No.'s.  
 M80-0110001 FOR M80-4D1XX42SI  
 M80-0110005 FOR M80-4D1XX05SI
  - FOR M80-4D1XXXXSI THE RECOMMENDED WIRE TYPE = BS 3G 210 TYPE A, PTFE INSULATED 22 AWG. MAX INSULATION DIAMETER = ∅1.10mm, STRIP WIRE BY 2.00mm.
  - RECOMMENDED HAND CRIMP TOOL FOR ALL CONTACTS = M22520/2-01 WITH POSITIONER T5747.
  - CONTACT INSERTION & EXTRACTION TOOL = Z80-280.
  - TO APPLY CIRCLIPS USE HARWIN TOOL = Z80-300.
  - SEE TOOLING INSTRUCTION SHEET IS-32 FOR ASSEMBLY DETAILS AVAILABLE AT:  
<http://www.harwin.com/downloads/instructions/>
  - 1 BANDIT TIE SUPPLIED PER KIT



CONTACTS (QTY = TOTAL No. OF CONTACTS)

4 x CIRCLIP (2-OFF REQUIRED) SUPPLIED LOOSE IN BAG SEE NOTE 6

2 x M2 SLOTTED JACKSCREWS SUPPLIED LOOSE IN BAG

ORDER CODE: **M80-4D1XXXXSI**

TOTAL No. OF CONTACTS \_\_\_\_\_  
 06, 10, 14, 20, 26

FINISH CODE \_\_\_\_\_  
 05 - GOLD CLIP, GOLD SHELL  
 42 - GOLD CLIP, 100% TIN OVER NICKEL SHELL

EXAMPLE ORDER CODE 1: CONNECTOR WITH 20 LARGE BORE SIGNAL CONTACTS, GOLD CLIP AND GOLD SHELL

**M80-4D12042SI**

SB	4	15.03.11	11172
NAME	ISS.	DATE	C/NOTE
APPROVED:		S.BENNETT	
CHECKED:		S.FLOWER	
DRAWN:		S.FLOWER	
CUSTOMER REF.:			
ASSEMBLY DRG:			

<b>HARWIN</b>			THIS DRAWING AND ANY INFORMATION OR DESCRIPTIVE MATTER SET OUT HEREON ARE CONFIDENTIAL AND COPYRIGHT PROPERTY OF THE HARWIN GROUP AND MUST NOT BE DISCLOSED, LOANED, COPIED OR USED FOR MANUFACTURING, TENDERING OR FOR ANY OTHER PURPOSE WITHOUT THEIR WRITTEN PERMISSION.	TOLERANCES X. = ±1mm X.X = ±0.25mm X.XX = ±0.10mm X.XXX = ±0.01mm ANGLES = ±5° UNLESS STATED	MATERIAL: SEE ABOVE FINISH: SEE ABOVE S/AREA: mm <sup>2</sup>	TITLE: DATAMATE J-TEK FEMALE CRIMP (LARGE BORE) ASSY WITH METAL BACKSHELL DRAWING NUMBER: <b>M80-4D1XXXXSI</b>	SHT 2 OF 2
HARWIN USA TEL: 603 893 5376 FAX: 603 893 5396 mis@harwin.com	HARWIN Europe (UK) TEL: 023 9231 4545 FAX: 023 9231 4590 mis@harwin.co.uk	HARWIN Asia TEL: +65 6 779 4909 FAX: +65 6 779 3868 mis@harwin.com.sg					