

THIS DRAWING AND THE INFORMATION SET FORTH HERE-ON ARE THE PROPERTY OF TYCO ELECTRONICS, AND ARE TO BE HELD IN TRUST AND CONFIDENCE. PUBLICATION, DUPLICATION, DISCLOSURE, OR USE FOR ANY PURPOSE NOT EXPRESSLY AUTHORIZED IN WRITING BY TYCO ELECTRONICS IS PROHIBITED.

REVISIONS			
LTR	DESCRIPTION	DATE	APPROVED
N/C	INITIAL RELEASE PER DCO# T-03532	6-4-82	J.B.
A	PER ECO-12-012920	Jul/12/2012	M.HIGGY

NOTES:

1. THIS DRAWING IS FOR THE PURPOSE OF PACKAGING THE KIT COMPONENTS IN A SEALED PLASTIC BAG.
2. THE COMPONENTS LISTED HEREON ARE IDENTIFIED WITH THEIR INDIVIDUAL PART NUMBER.
3. REFER TO THE INDIVIDUAL COMPONENT DRAWING FOR CONFIGURATION DETAILS.
4. THE KIT PACKAGE IS IDENTIFIED WITH THE KIT NUMBER.


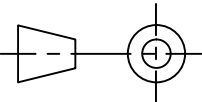
5. THIS KIT CONSISTS OF:

ITEM	COMPONENT DRAWING NUMBER	DESCRIPTION	QTY
1	MTC100-JH2-P22	2 INCH HOUSING PLUG ASSY., NICKEL PLATED WITH CABLE CLAMP	1
2	MTC100-JA2-P11-T13	KIT, 2 INCH WAFER, "A" PIN (125°C), ROUND WIRE SolderSleeve® TERMINATORS	1
3	MTC100-JB2-P11-T15	KIT, 2 INCH WAFER, "B" PIN (125°C), ROUND WIRE SolderSleeve® TERMINATORS	1

If this document is printed it becomes uncontrolled. Check for the latest revision

©2012 Tyco Electronics. All rights reserved.

Raychem MTC  
CUSTOMER DRAWING

THIS DRAWING IS A CONTROLLED DOCUMENT.	DRAWN	ZS.O.	Jun/1/2012	 TE Connectivity
	DIMENSIONING AND TOLERANCING PER ASME Y14.5M (ISO STANDARDS)	CHECKED	M.Higgy	
UNLESS OTHERWISE SPECIFIED DIMENSIONS ARE IN INCHES. METRIC DIMENSIONS ARE IN BRACKETS.  DECIMALS .XXX ± [ — mm ] .XX ± [ — mm ] ANGLES .X — ± —	APPROVED			TITLE KIT, 2 INCH PLUG, NICKEL PLATED WITH CABLE CLAMP A AND B PIN WAFER 125 CELSIUS DEGREE ROUND WIRE SolderSleeve® TERMINATORS MTC100 SERIES
	APPROVED			
	CAD NAME	MTC100-KT2-0121		
WEIGHT: KIT is 43.65 Gram Max.	THIRD ANGLE PROJECTION			SIZE: A CAGE CODE: 06090 DWG. NO.: MTC100-KT2-0121 REV: A
				SCALE: NONE SHEET 1 OF 1