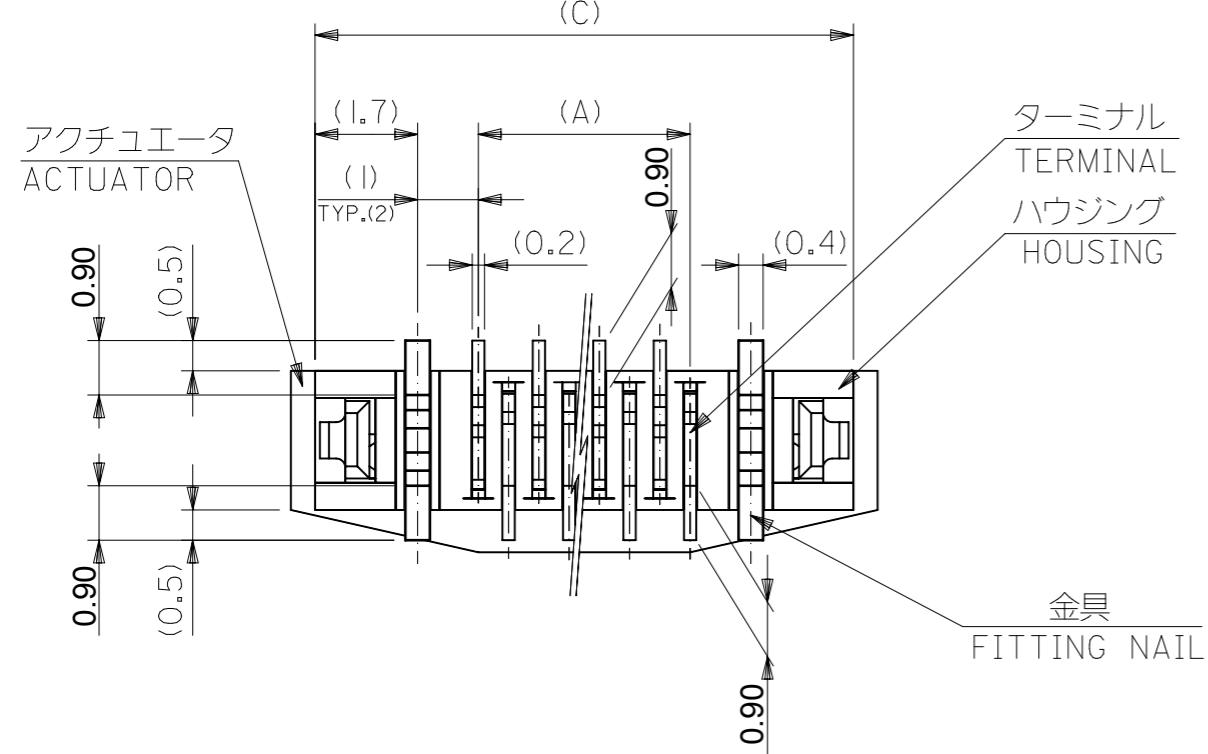
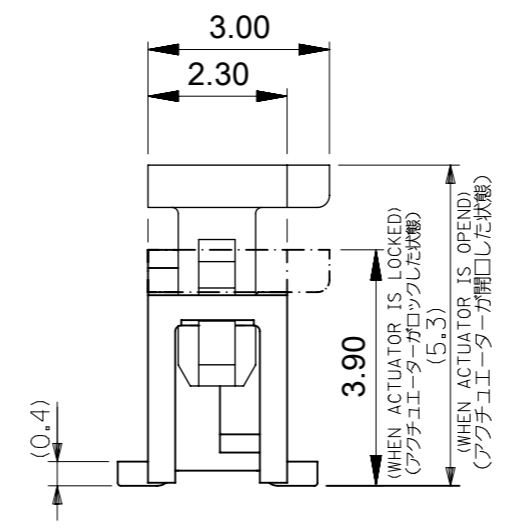
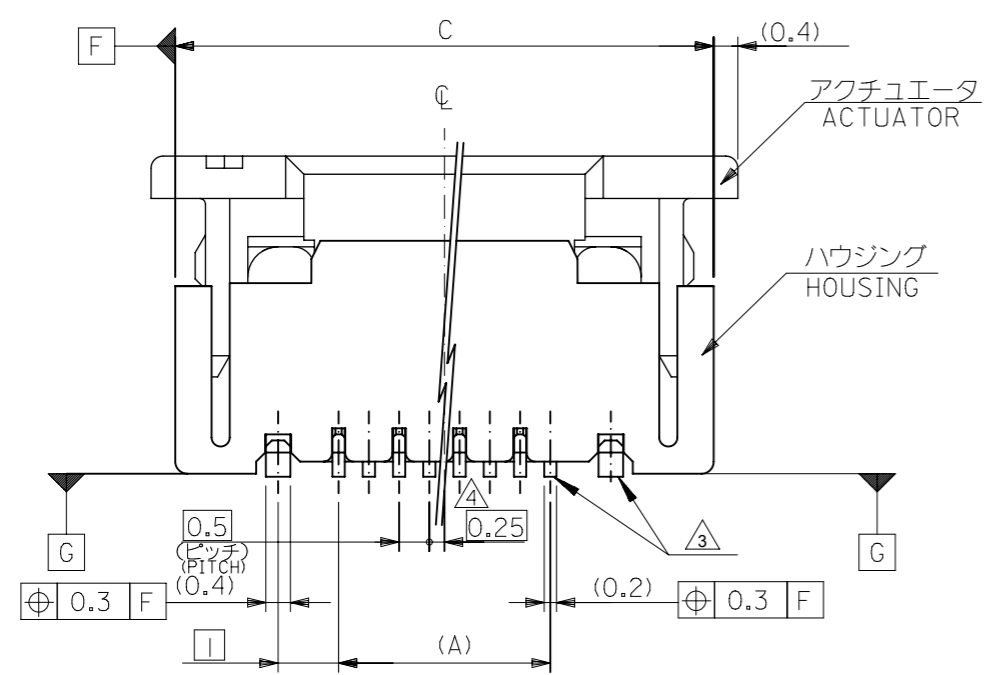
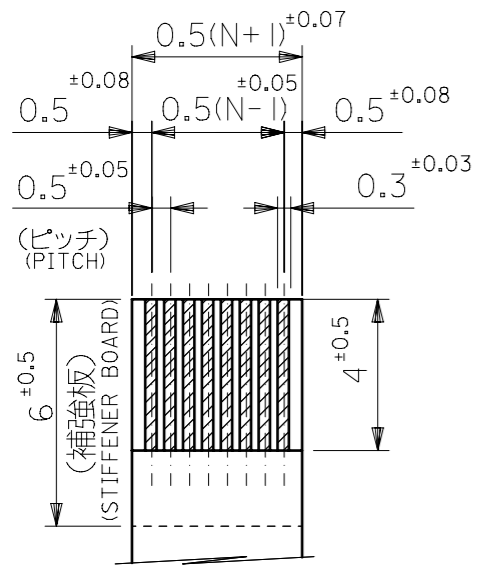


注記 NOTES

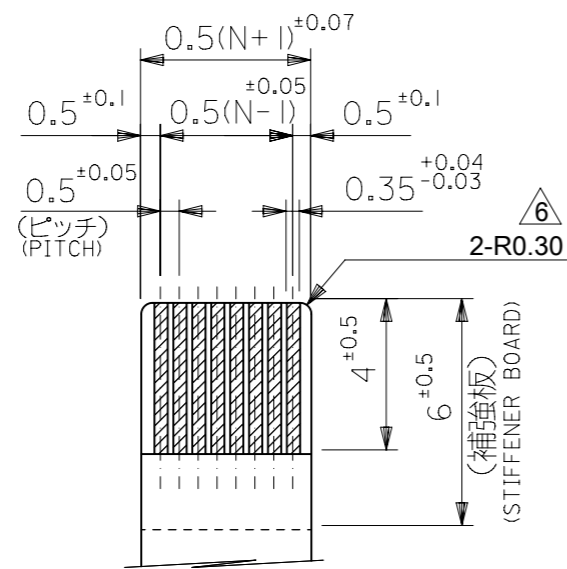
- 材質 MATERIAL
 ハウジング : ポリアミド (PA)、ガラス充填、ナチュラル (白)、UL94V-0
 HOUSING : POLYAMIDE, GLASS FILLED, NATURAL, UL94V-0
 アクチュエータ : ポリフェニレンサルファイド (PPS)、ガラス充填、ナチュラル、UL94V-0
 ACTUATOR : POLYPHENYLENE SULFIDE, GLASS FILLED, NATURAL (BROWN), UL94V-0
 ターミナル : 銅合金 (t=0.2)
 TERMINAL : COPPER ALLOY (t=0.2)
 金具 : 銅合金 (t=0.4)
 NAIL : COPPER ALLOY (t=0.4)
- めっき仕様 PLATING
 ターミナル TERMINAL
 錫銀ビスマスめっき (1.0μm以上)
 下地 : ニッケルめっき (1.0μm以上)
 TIN SILVER BISMUTH PLATING
 (1.0 MICROMETER MINIMUM)
 UNDER PLATE : NICKEL PLATING
 (1.0 MICROMETER MINIMUM)
 金具 FITTING NAIL
 錫めっき (1.0μm以上)
 下地 : ニッケルめっき (1.0μm以上)
 TIN PLATING
 (1.0 MICROMETER MINIMUM)
 UNDER PLATE : NICKEL PLATING
 (1.0 MICROMETER MINIMUM)
- △3 ソルダーテール半田付け面のズレ量、及び金具半田付け面のズレ量は、基準面 G に対し上方向0.05MAXIMUM、下方向0.15MAXIMUMとする。
 MISALIGNMENT OF SOLDER TAILS AND FITTING NAILS FROM DATUM-G UPPER DIRECTION : 0.05MAXIMUM
 LOWER DIRECTION 0.15MAXIMUM.
- △4 偶数極に適用
 APPLY FOR EVEN CIRCUIT
- △5 パターンはくり止めよう金具
 FITTING NAIL FOR PREVENTION OF PEELING OF P.C.B PATTERN.
- △6 R0.3はFPCの導体部にかからないこと
 R0.3 MUST NOT BE OVERLAPED TO PATTERN OF FPC.
7. ソルダーテールの平坦度は、0.12 MAXIMUMとする。
 SOLDER TAIL COPLANARITY IS 0.12 MAXIMUM.



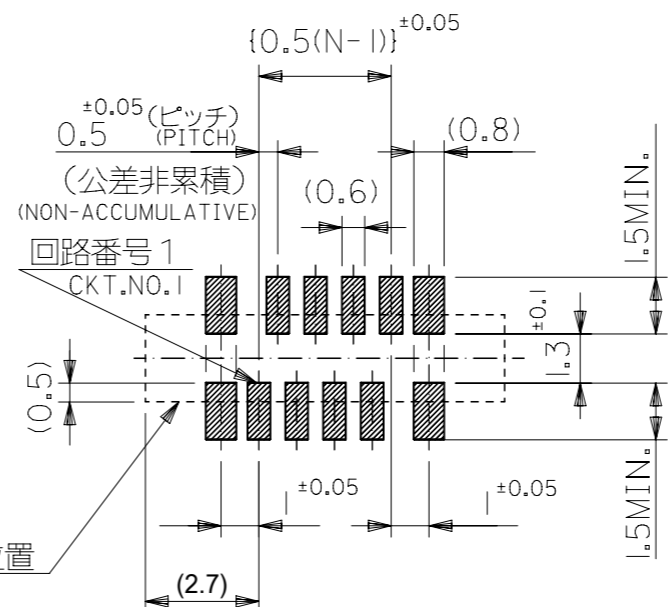
THIS DRAWING CONTAINS INFORMATION THAT IS PROPRIETARY TO MOLEX ELECTRONIC TECHNOLOGIES, LLC AND SHOULD NOT BE USED WITHOUT WRITTEN PERMISSION		CURRENT REV DESC: REVISED		molex	
DIMENSION UNITS	SCALE				
mm	8:1			EMBOSS TAPE PACKAGED FOR 0.5MM FPC CONN ZIF/ S/T HOUSING ASSY	
GENERAL TOLERANCES (UNLESS SPECIFIED)		EC NO: 621409		PRODUCT CUSTOMER DRAWING	
ANGULAR TOL	± 3.0°	DRWN: ABABU01	2019/07/25	DOCUMENT NUMBER	
4 PLACES	± 0.2	CHK'D: MSASAO	2019/07/31	SD-52559-059	
3 PLACES	± 0.2	APPR: RTAKEUCHI	2019/07/31	DOC TYPE	DOC PART
2 PLACES	± 0.2	INITIAL REVISION:		PSD	001
1 PLACE	± 0.25	DRWN: NASANUMA	2013/02/23	REVISION	
0 PLACES	± 0.3	APPR: KMORIKAWA	2013/03/15	D	
DRAFT WHERE APPLICABLE MUST REMAIN WITHIN DIMENSIONS		THIRD ANGLE PROJECTION	DRAWING	SERIES	MATERIAL NUMBER
			A3-SIZE	52559	CUSTOMER
				SEE SHEET 2	GENERAL MARKET
				SHEET NUMBER	
				1 OF 5	



適合FFC推奨寸法
 APPLICABLE FFC
 RECOMMENDED DIMENSION.
 (仕上がり厚さ: 0.3±0.05)
 (THICKNESS: 0.3±0.05)



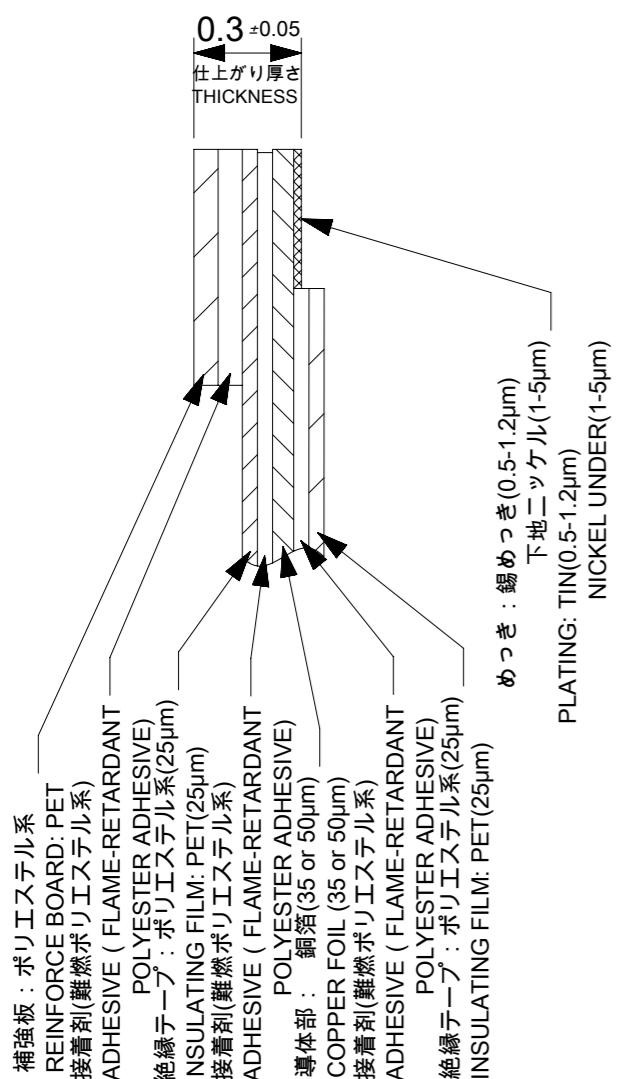
適合FPC推奨寸法
 APPLICABLE FPC
 RECOMMENDED DIMENSION.
 (仕上がり厚さ: 0.3±0.05)
 (THICKNESS: 0.3±0.05)



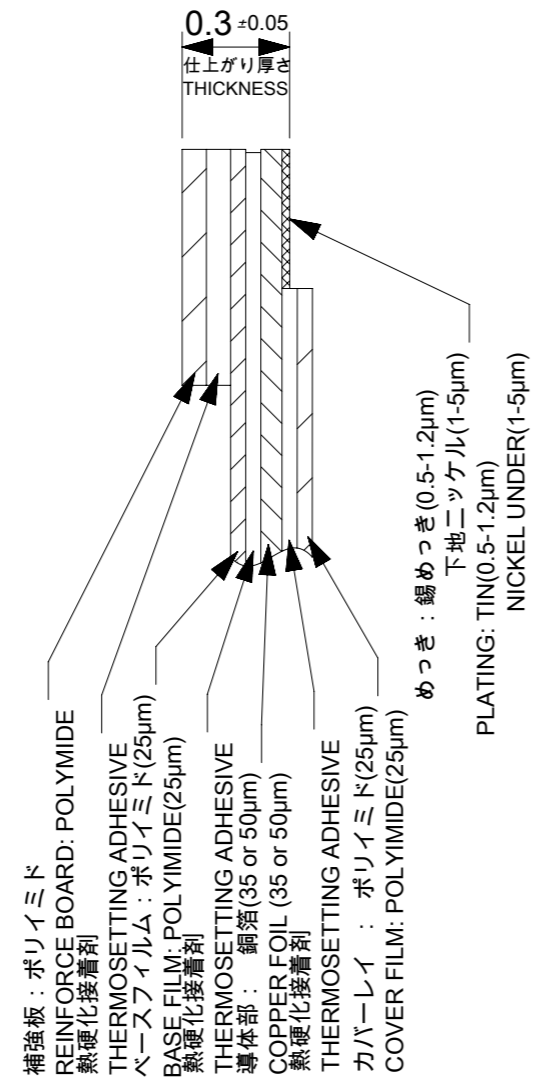
コネクタ位置
 CONNECTOR
 POSITION

推奨基板レイアウト
 (マウンド面)

RECOMMENDED P.C.BOARD
 PATTERN DIMENSION
 (MOUNTING SIDE)
 マスク厚 : 150µm
 マスク開口率 : 100%
 SCREEN THICKNESS : 150µm
 SCREEN OPEN RATIO : 100%



FFC構成推奨仕様
 RECOMMENDED STRUCTURE OF FFC

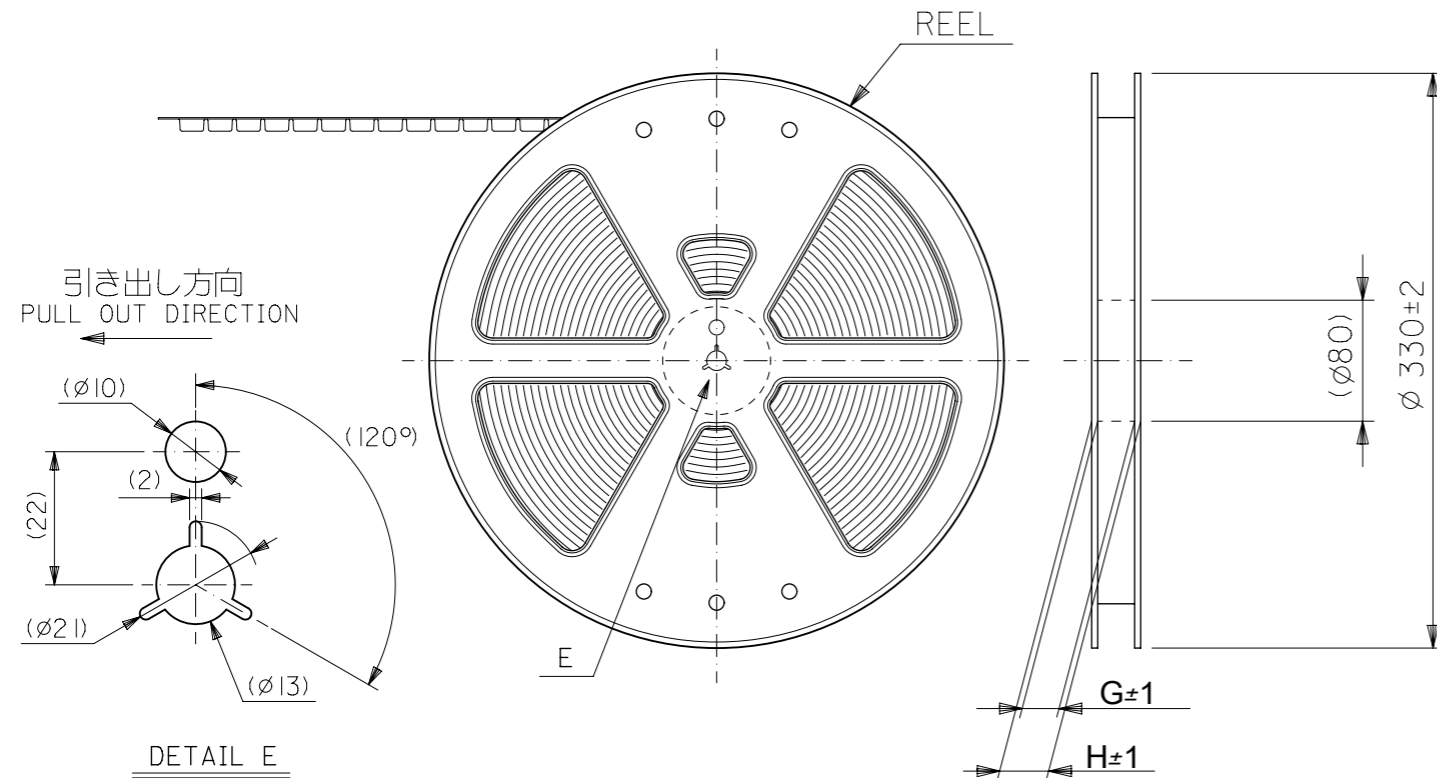


FPC構成推奨仕様
 RECOMMENDED STRUCTURE OF FPC

FPC/FFCについて:
 抜き方向は、導体側から補強板側を推奨致します。
 尚、接着剤の接点部への付着は導通不良の原因になりますので、
 染み出しが無い様お願い致します。
 ABOUT FPC/FFC:
 RECOMMENDED PUNCHER DIRECTION:
 FROM CONDUCTOR SIDE TO STIFFNER SIDE
 PLEASE PUT APPROPRIATE AMOUNT OF ADHESIVE ON ADHEREND
 BECAUSE THERE IS A POSSIBILITY THAT THE EXTRA ADHESIVE
 CAUSES THE DEFECT IN ELECTRICAL CONTINUITY.

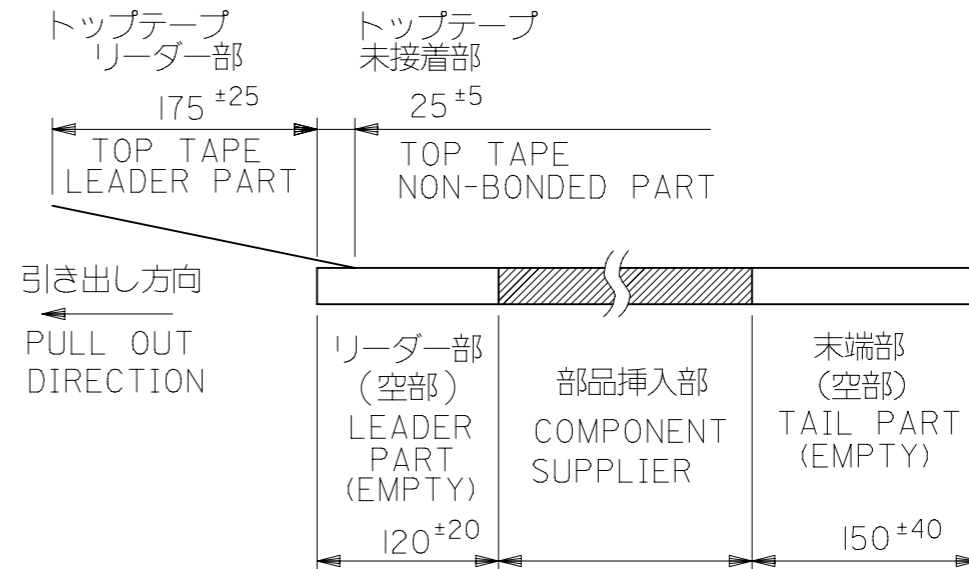
22.2	21.4	17.15	16.0	52559-3334	33
19.7	18.9	14.65	13.5	52559-2834	28
18.2	17.4	13.15	12.0	52559-2534	25
17.7	16.9	12.65	11.5	52559-2434	24
16.7	15.9	11.65	10.5	52559-2234	22
15.7	14.9	10.65	9.5	52559-2034	20
14.7	13.9	9.65	8.5	52559-1834	18
13.7	12.9	8.65	7.5	52559-1634	16
12.7	11.9	7.65	6.5	52559-1434	14
12.2	11.4	7.15	6.0	52559-1334	13
9.7	8.9	4.65	3.5	52559-0834	8
D	C	B	(A)	ORDER No.	極数 CKT.

THIS DRAWING CONTAINS INFORMATION THAT IS PROPRIETARY TO MOLEX ELECTRONIC TECHNOLOGIES, LLC AND SHOULD NOT BE USED WITHOUT WRITTEN PERMISSION											
DIMENSION UNITS		SCALE		CURRENT REV DESC: REVISED							
mm		5:1									
GENERAL TOLERANCES (UNLESS SPECIFIED)											
ANGULAR TOL		± 3.0°		EC NO: 621409							
4 PLACES		± 0.2		DRWN: ABABU01		2019/07/25					
3 PLACES		± 0.2		CHK'D: MSASAO		2019/07/31					
2 PLACES		± 0.2		APPR: RTAKEUCHI		2019/07/31					
1 PLACE		± 0.25		INITIAL REVISION:							
0 PLACES		± 0.3		DRWN: NASANUMA		2013/02/23					
				APPR: KMORIKAWA		2013/03/15					
DRAFT WHERE APPLICABLE MUST REMAIN WITHIN DIMENSIONS				THIRD ANGLE PROJECTION		DRAWING		SERIES		MATERIAL NUMBER	
				A3-SIZE		52559		SEE TABLE		CUSTOMER	
								GENERAL MARKET		SHEET NUMBER	
								2 OF 5			



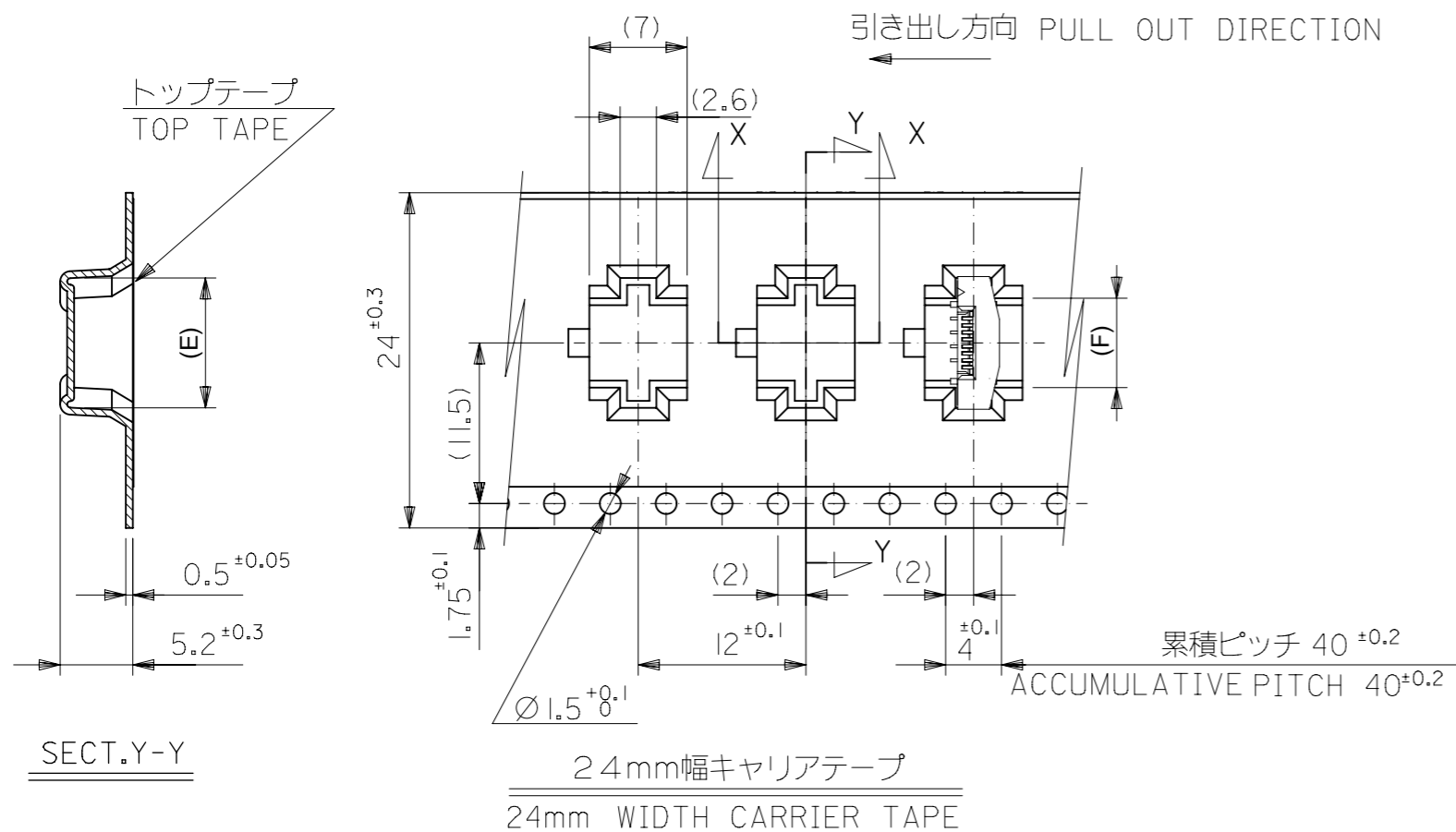
注記 NOTES

1. 梱包状態はアクチュエータがロックした状態とする。
IN THE PACKAGE, ACTUATOR SHOULD BE LOCKED.
2. 梱包数量：1000個/リール
NUMBER OF CONNECTORS:1000PCS/REEL
3. リードテープ長さ LEAD TAPE LENGTH



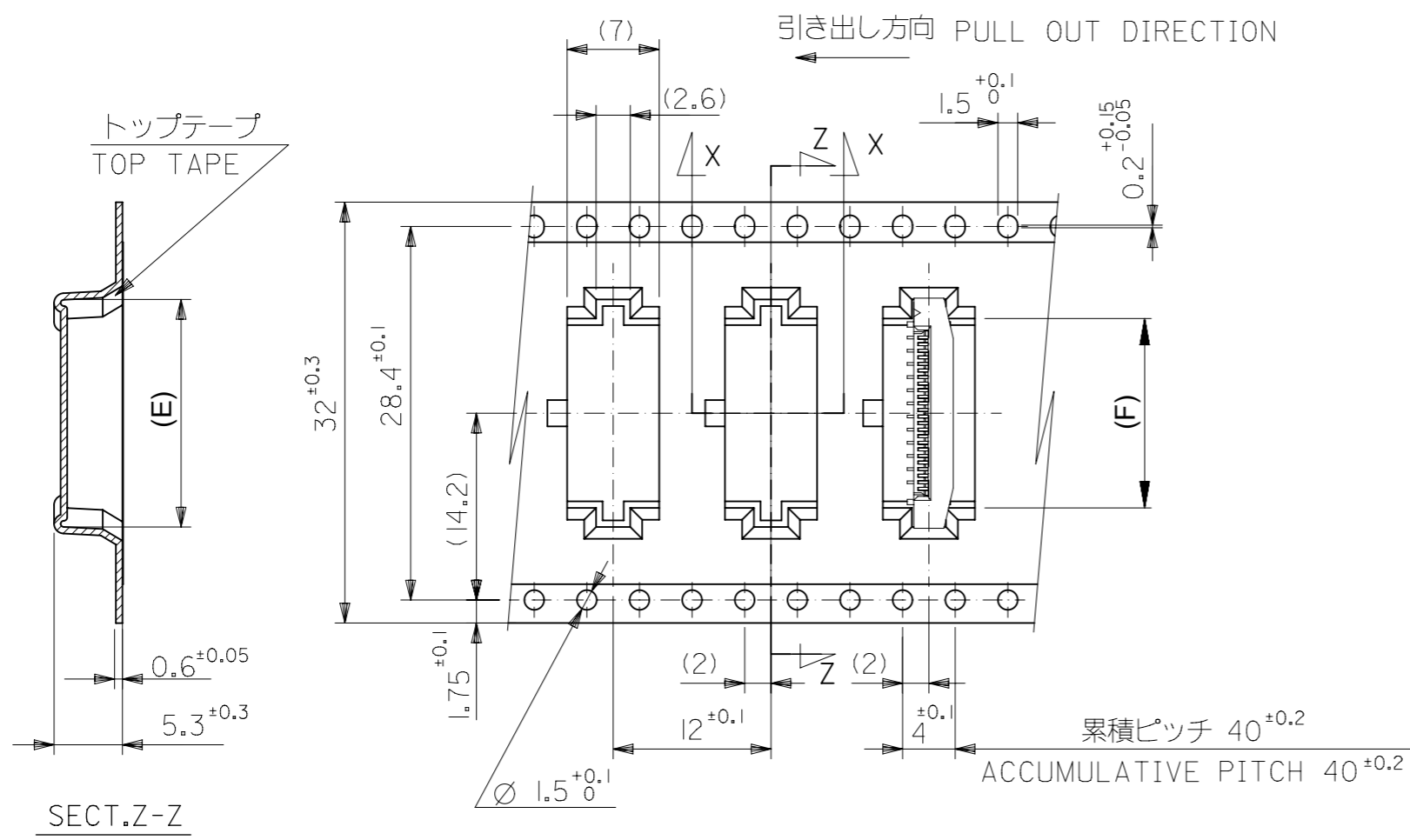
4. トップテープの剥離強度については、IEC60286-3に準拠
TOP TAPE PEEL FORCE IS DEFINED BY IEC60286-3.
5. 材料 キャリアテープ：ポリプロピレン (PP)
トップテープ：PET, PE, PEF
リール：ポリスチレン (PS) <リサイクル材を含む>
MATERIAL CARRIER TAPE:POLYPROPYLENE
TOP TAPE:PET,PE,PEF
REEL:POLYSTYREN(PS)
<RECYCLE MATERIAL CONTAINED>
6. 本製品は乾燥剤入り、ハイバリア梱包仕様である。
THIS PRODUCT IS HIGH BARRIER PACKAGE WITH DESICCANT.

THIS DRAWING CONTAINS INFORMATION THAT IS PROPRIETARY TO MOLEX ELECTRONIC TECHNOLOGIES, LLC AND SHOULD NOT BE USED WITHOUT WRITTEN PERMISSION									
DIMENSION UNITS		SCALE		CURRENT REV DESC: REVISED				molex	
mm		±±							
GENERAL TOLERANCES (UNLESS SPECIFIED)				EC NO: 621409				EMBOSS TAPE PACKAGED FOR 0.5MM FPC CONN ZIF/ S/T HOUSING ASSY	
ANGULAR TOL ± 3.0 °				DRWN: ABABU01 2019/07/25					
4 PLACES ± 0.2				CHK'D: MSASAO 2019/07/31					
3 PLACES ± 0.2				APPR: RTAKEUCHI 2019/07/31				PRODUCT CUSTOMER DRAWING	
2 PLACES ± 0.2				INITIAL REVISION:				DOCUMENT NUMBER	
1 PLACE ± 0.25				DRWN: NASANUMA 2013/02/23				SD-52559-059	
0 PLACES ± 0.3				APPR: KMORIKAWA 2013/03/15				DOC TYPE DOC PART REVISION	
DRAFT WHERE APPLICABLE MUST REMAIN WITHIN DIMENSIONS				THIRD ANGLE PROJECTION		DRAWING		MATERIAL NUMBER	
				A3-SIZE		SERIES		CUSTOMER	
						52559		SEE SHEET 4-5 GENERAL MARKET	
								SHEET NUMBER	
								3 OF 5	



24	29.4	25.4	13.4	16.3	52559-2234	22		
			12.4	15.3	52559-2034	20		
			11.4	14.3	52559-1834	18		
			10.4	13.3	52559-1634	16		
			9.4	12.3	52559-1434	14		
			8.9	11.8	52559-1334	13		
			6.4	9.3	52559-0834	8		
CARRIER TAPE WIDTH			H	G	(F)	(E)	ORDER No.	CKT

THIS DRAWING CONTAINS INFORMATION THAT IS PROPRIETARY TO MOLEX ELECTRONIC TECHNOLOGIES, LLC AND SHOULD NOT BE USED WITHOUT WRITTEN PERMISSION		CURRENT REV DESC: REVISED		molex				
DIMENSION UNITS	SCALE	EC NO: 621409						EMBOSS TAPE PACKAGED FOR 0.5MM FPC CONN ZIF/ S/T HOUSING ASSY
mm	±±	DRWN: ABABU01 2019/07/25		PRODUCT CUSTOMER DRAWING				
GENERAL TOLERANCES (UNLESS SPECIFIED)		CHK'D: MSASAO 2019/07/31		DOCUMENT NUMBER		DOC TYPE	DOC PART	REVISION
ANGULAR TOL	± 3.0°	APPR: RTAKEUCHI 2019/07/31		SD-52559-059		PSD	001	D
4 PLACES	± 0.2	INITIAL REVISION:		MATERIAL NUMBER		CUSTOMER		SHEET NUMBER
3 PLACES	± 0.2	DRWN: NASANUMA 2013/02/23		SEE TABLE		GENERAL MARKET		4 OF 5
2 PLACES	± 0.2	APPR: KMORIKAWA 2013/03/15		DRAWING		SERIES		
1 PLACE	± 0.25	DRAFT WHERE APPLICABLE MUST REMAIN WITHIN DIMENSIONS		THIRD ANGLE PROJECTION		DRAWING		
0 PLACES	± 0.3			DRAWING		SERIES		
				A3-SIZE		52559		



32mm幅キャリアテープ
32mm WIDTH CARRIER TAPE

32	37.4	33.4	18.9	21.8	52559-3334	33		
			16.4	19.3	52559-2834	28		
			14.9	17.8	52559-2534	25		
			14.4	17.3	52559-2434	24		
CARRIER TAPE WIDTH			H	G	(F)	(E)	ORDER No.	CKT

THIS DRAWING CONTAINS INFORMATION THAT IS PROPRIETARY TO MOLEX ELECTRONIC TECHNOLOGIES, LLC AND SHOULD NOT BE USED WITHOUT WRITTEN PERMISSION

DIMENSION UNITS mm	SCALE ±±	CURRENT REV DESC: REVISED		molex			
GENERAL TOLERANCES (UNLESS SPECIFIED)		EC NO: 621409					EMBOSS TAPE PACKAGED FOR 0.5MM FPC CONN ZIF/ S/T HOUSING ASSY
ANGULAR TOL	± 3.0 °	DRWN: ABABU01 2019/07/25		PRODUCT CUSTOMER DRAWING			
4 PLACES	± 0.2	CHK'D: MSASAO 2019/07/31		DOCUMENT NUMBER			
3 PLACES	± 0.2	APPR: RTAKEUCHI 2019/07/31		SD-52559-059			
2 PLACES	± 0.2	INITIAL REVISION:		DOC TYPE	DOC PART	REVISION	
1 PLACE	± 0.25	DRWN: NASANUMA 2013/02/23		PSD	001	D	
0 PLACES	± 0.3	APPR: KMORIKAWA 2013/03/15		SHEET NUMBER			
DRAFT WHERE APPLICABLE MUST REMAIN WITHIN DIMENSIONS		THIRD ANGLE PROJECTION	DRAWING	SERIES	MATERIAL NUMBER	CUSTOMER	SHEET NUMBER
			A3-SIZE	52559	SEE TABLE	GENERAL MARKET	5 OF 5