

4

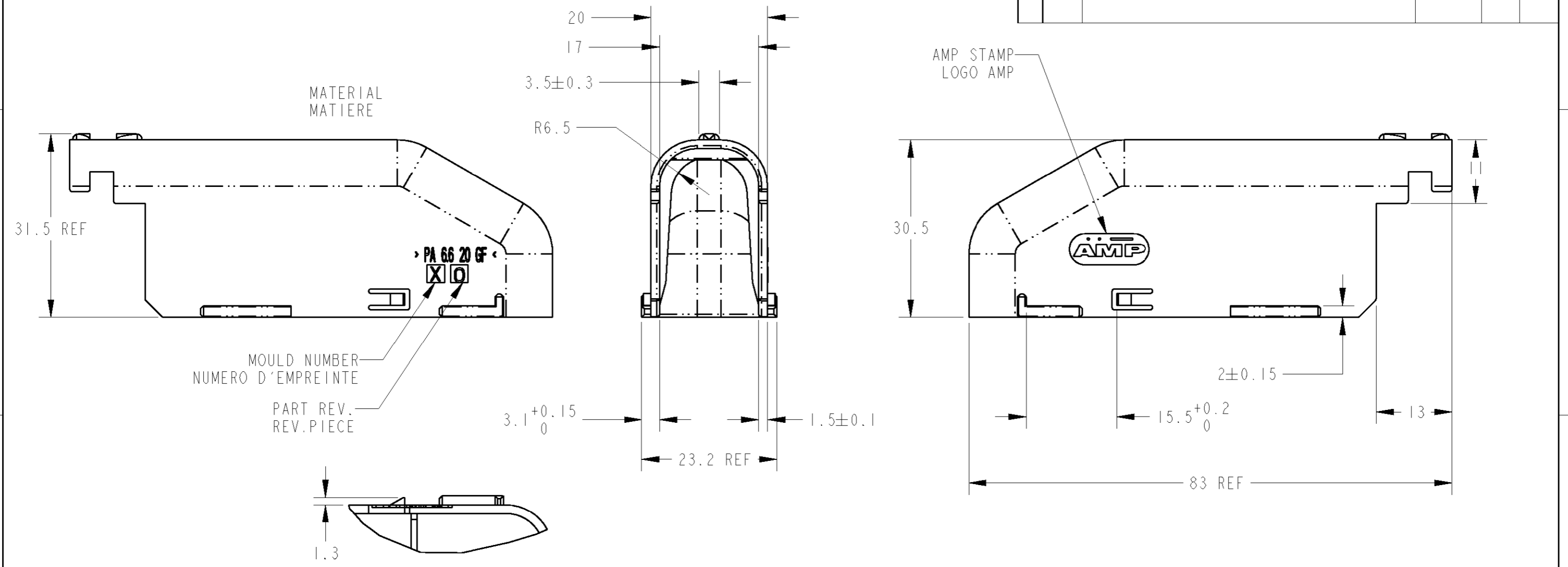
3

2

1

THIS DRAWING IS UNPUBLISHED. RELEASED FOR PUBLICATION .19
 © COPYRIGHT 1997 BY AMP INCORPORATED. ALL RIGHTS RESERVED.

| LOC | DIST | REVISIONS | | | | | |
|-----|------|-----------|-----|--------------------------------------|-----------|-----|------|
| | | P | LTR | DESCRIPTION | DATE | DWN | APVD |
| F | 7 | | A | PA66 20% FV WAS PA66 25% FV | 18SEP 98 | RB | - |
| | | | B | INCREASE OF LOCKING LATCH HEIGHT 1.3 | 05JUN2000 | DB | JJR |



| | | | | | | | |
|---------------|----|----|----|----|------------------------|-------------|--------------|
| | | | | I | BLACK | PA66 20% GF | HORIZ. COVER |
| COMPONENT QTY | | | | | COLOR | MATERIAL | DESIGNATION |
| 953039-X | | | | | MAX. ADMISSIBLE STRAND | | |
| -5 | -4 | -3 | -2 | -1 | Ø 16 mm | | |

| | | | | | | | |
|---------------|----|----|----|----|-----------------------|-------------|-------------|
| | | | | I | NOIR | PA66 20% FV | CAPOT HORIZ |
| QTE COMPOSANT | | | | | COULEUR | MATIERE | DESIGNATION |
| 953039-X | | | | | TORON MAXI ADMISSIBLE | | |
| -5 | -4 | -3 | -2 | -1 | Ø 16 mm | | |

THIS DRAWING IS A CONTROLLED DOCUMENT FOR AMP INCORPORATED. IT IS SUBJECT TO CHANGE AND THE CONTROLLING ENGINEERING ORGANIZATION SHOULD BE CONTACTED FOR THE LATEST REVISION.

| | | | |
|-----------------------|--|-------------------------------|--|
| DIMENSIONS: mm | TOLERANCES UNLESS OTHERWISE SPECIFIED: ±- ±0.13 ± ANGLES FINISH ±1° | DWN REGIS BONNET MAY 97 | AMP DE FRANCE 95301 PONTOISE |
| | | CHK JP. PICAUD 05JUN00 | NAME HORIZONTAL COVER FOR 31 WAYS HYBRID TIMER CONNECTOR CAPOT HORIZONTAL POUR CONNECTIQUE 31 V TIMER HYBRIDE |
| | | APVD JJ. REVII 05JUN00 | |
| MATERIAL SEE TABLE | | PRODUCT SPEC 108-15172 | SIZE A3 |
| | | APPLICATION SPEC 411-15599 | CAGE CODE 00779 |
| | | WEIGHT 8g | DRAWING NO C-953039 |
| CUSTOMER DRAWING | | SCALE 3:2 | RESTRICTED TO - |
| | | SHEET 1 | OF 1 |
| | | REV B | |