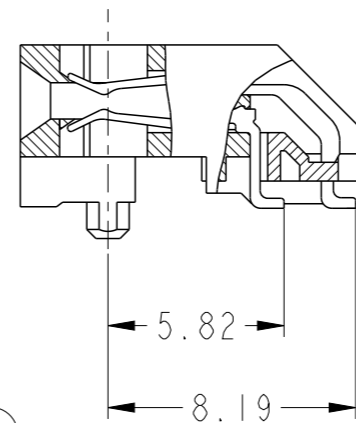
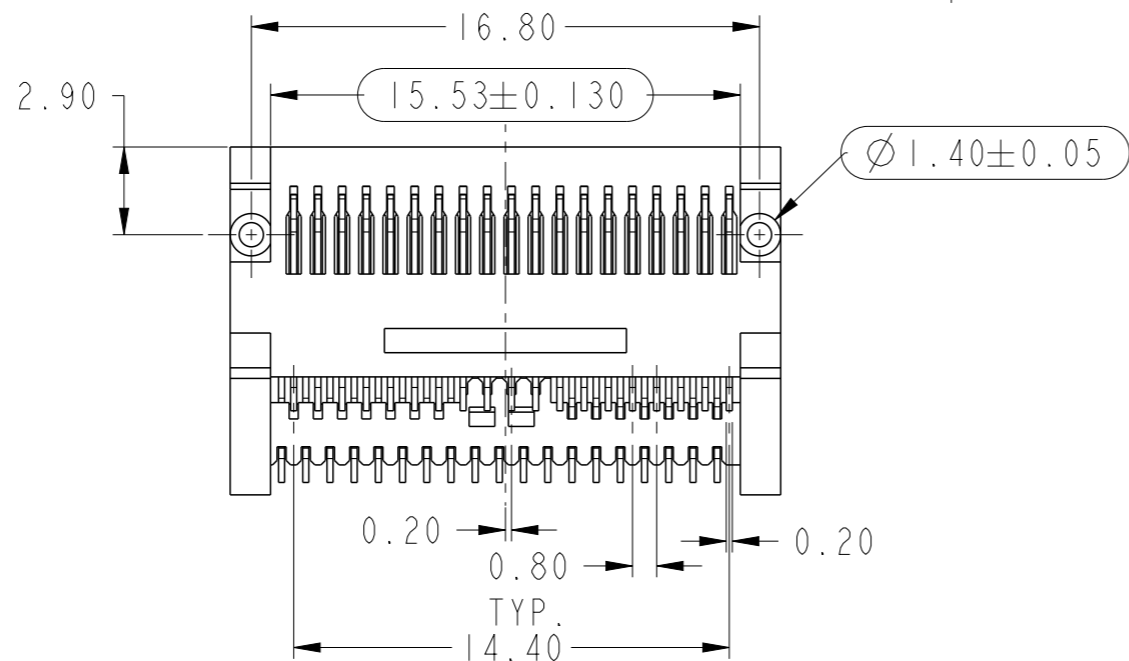
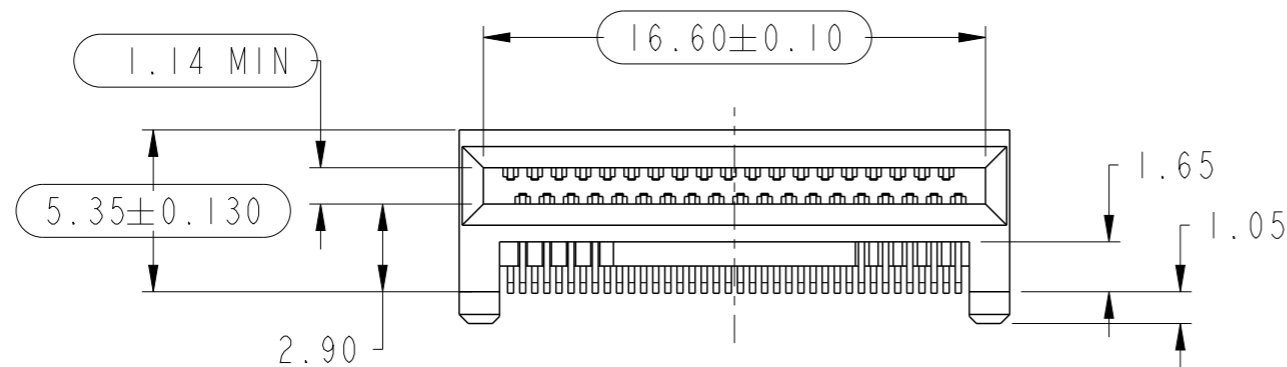
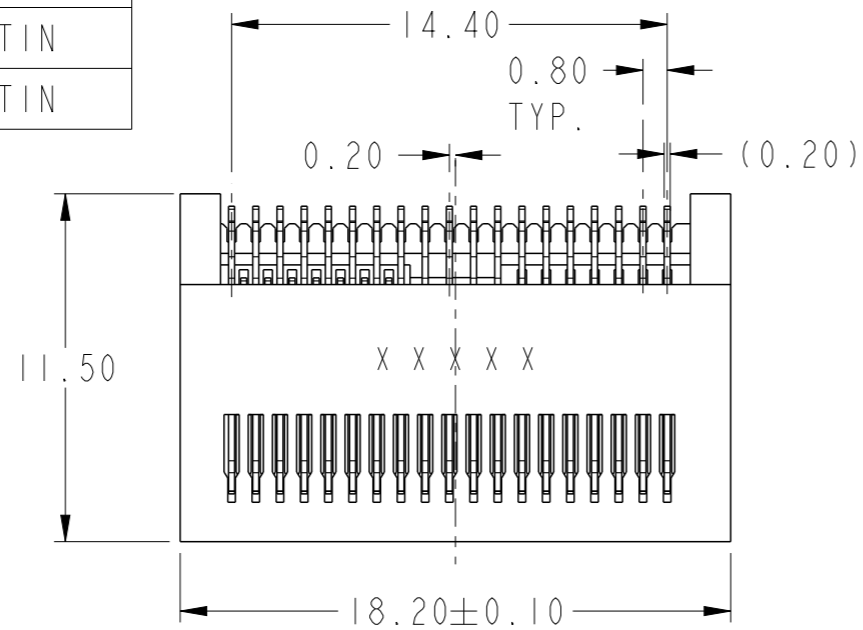


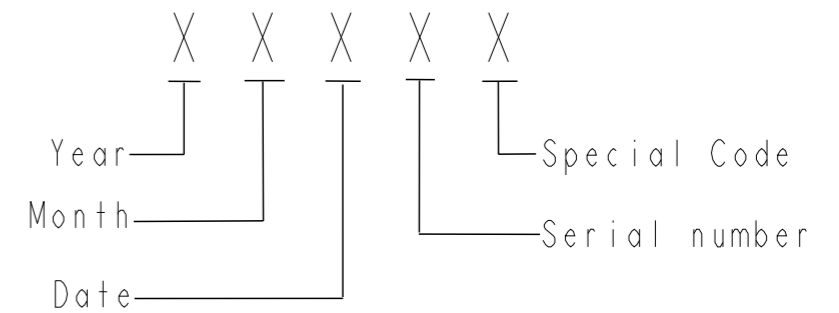
PART NUMBER	PLATING
10099113-101LF	SATIN TIN
10099113-102LF	MATTE TIN

NOTES:

- MATERIAL:
HOUSING: THERMOPLASTIC GLASS FILLED.
SPACER: THERMOPLASTIC GLASS FILLED.
CONTACT: COPPER ALLOY
- PLATING:
CONTACT AREA: 0.76um Au OVER 2.54um MIN. NICKEL.
SOLDER AREA: 2.54um MIN. TIN OVER 2.54um MIN. NICKEL.
- PRODUCT SPECIFICATION: GS-12-622
- APPLICATION SPECIFICATION: GS-20-126
- PRODUCT MEETS EUROPEAN UNION DIRECTIVES AND OTHER COUNTRY REGULATIONS AS DESCRIBED IN GS-22-008.
- DATE CODE BE PRINTED ON PROPER SURFACE.



0.10
INCLUDE ALL
SOLDER CONTACT



DATE CODE DESCRIPTION

spec ref	-	dr	Andy Zhang	2010/11/03	projection	MM	size	A3	scale	4:1
tolerance std	ASME Y14.5	eng	Andy Zhang	2012/04/27			ecn no	ELX-N-011478-1		
surface	✓	chr	-	rel level			Released			
ASME Y14.5	TOLERANCES UNLESS OTHERWISE SPECIFIED	appr	Rick Bian	2012/04/27	product family	-	rel level	Released		
linear	0.X ±0.10		QSFP 38POS CONNECTOR QSFP BOARD CONNECTOR	cat. no. -	Product - Customer Drw	sheet 1 of 2	dwg no	10099113		
angular	0° ±2°						rev	F		
ASME Y14.5	0.XX ±0.05									
ASME Y14.5	0.XXX ±-									

PART NUMBER
10099113-101LF

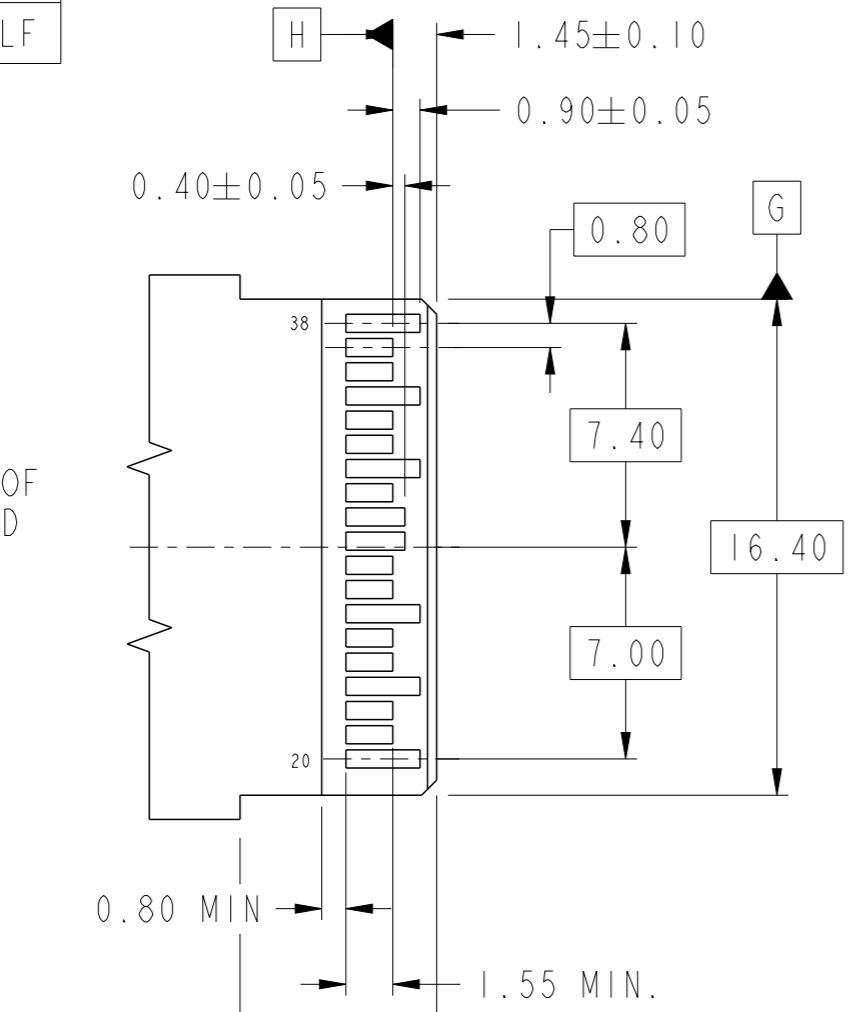
A

B

C

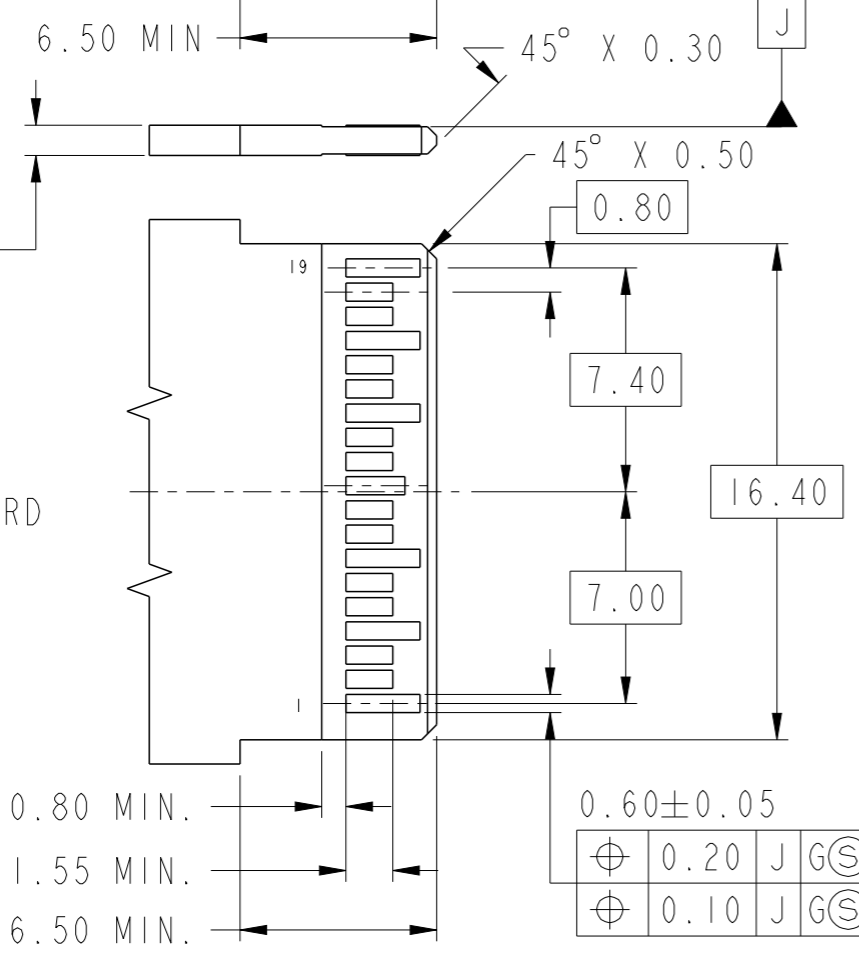
D

TOP VIEW OF
PLUG BOARD



1.00±0.10
OVER PAD

BOTTOM VIEW
OF PLUG BOARD

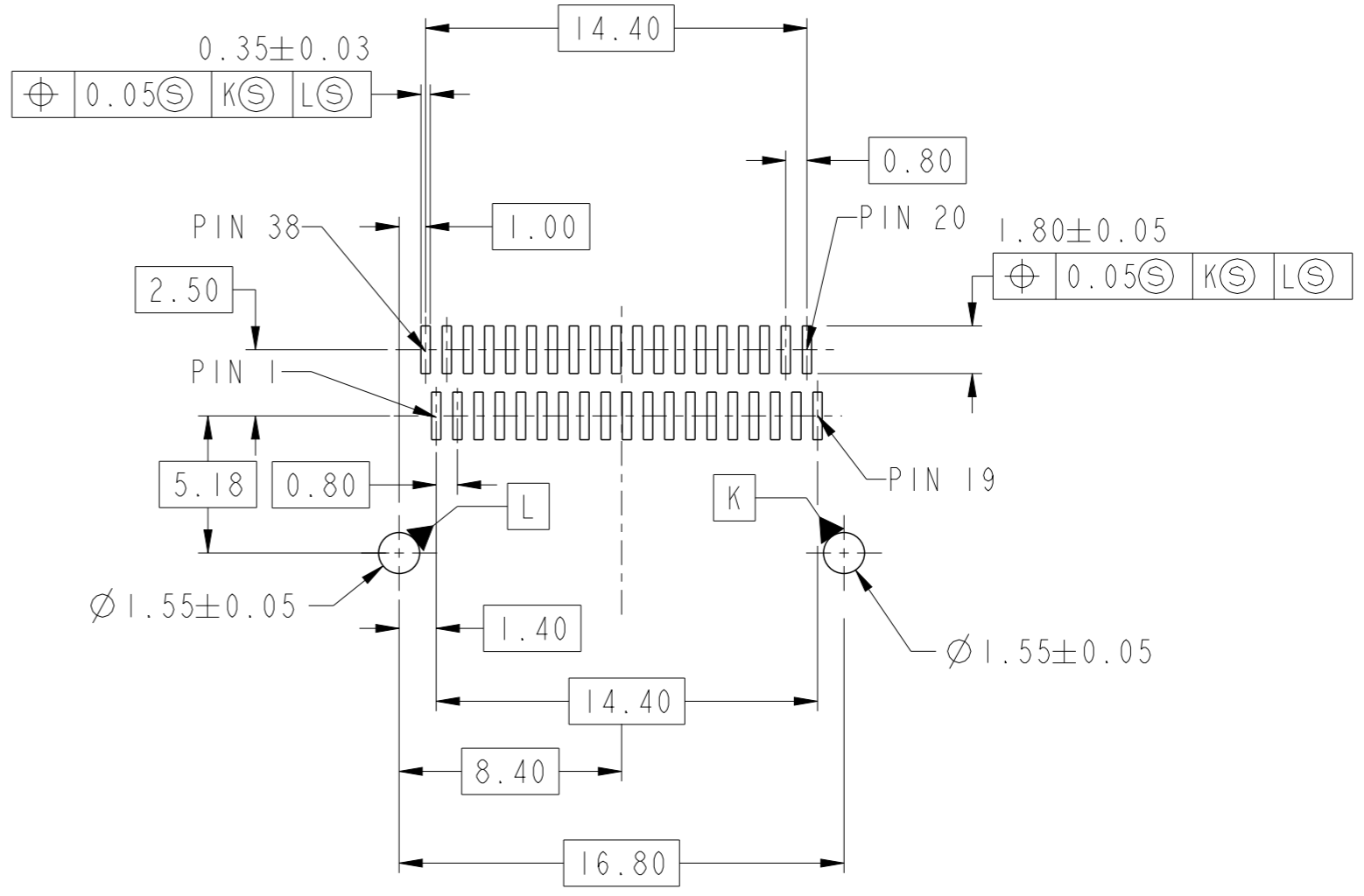


A

B

C

D



RECOMMENDED PCB LAYOUT
(COMPONENT SIDE)

dr	Andy Zhang	2010/11/03	projection	MM	size	A3	scale	4:1
eng	Andy Zhang	2012/04/27			ecn no	ELX-N-011478-1		
chr	-	-			rel level	Released		
appr	Rick Bian	2012/04/27	product family	-	rel level	Released		
			title QSFP 38POS CONNECTOR QSFP BOARD CONNECTOR		dwg no 10099113	rev F		
www.fci.com			cat. no.	-	Product - Customer Drw		sheet 2 of 2	