

## User's Guide

# TSTFT5.7I#

## Touch Panel

---

For product support, contact

**Newhaven Display International**  
**2511 Technology Drive, #101**  
**Elgin, IL 60124**

Tel: (847) 844-8795 Fax: (847) 844-8796

December 15, 2008

MODEL NO :

**RECORDS OF REVISION**

**DOC. FIRST ISSUE**

VERSION	DATE	REVISED PAGE NO.	SUMMARY
0	2008/8/1		First issue

## 1. General Specification

ITEM	STANDARD VALUE	UNIT
Outline dimension	125.48(L) x100.94(W) x 1.5± 0.1(T)	mm
View area	118.2 (L) x89.4(W)	mm
Active area	116.2 (L) x 87.4(W)	mm

## 2. Absolute Maximum Ratings

ITEM	SYMBOL	MIN.	TYP.	MAX.	UNIT
Operating Temperature	T <sub>OP</sub>	-20	-	+70	☒
Storage Temperature	T <sub>ST</sub>	-30	-	80	☒
Operating temperature		20		90	%RH
Storage temperature		20		90	%RH
Light transmission			80		%

## 3. Reliability

### ☒ Content of Reliability Test

Environmental Test			
Test Item	Content of Test	Test Condition	Applicable Standard
High Temperature storage	Endurance test applying the high storage temperature and operating test .	80☒ 120hrs	---
Low Temperature storage	Endurance test applying the high storage temperature for a long time.	-30☒ 120hrs	---

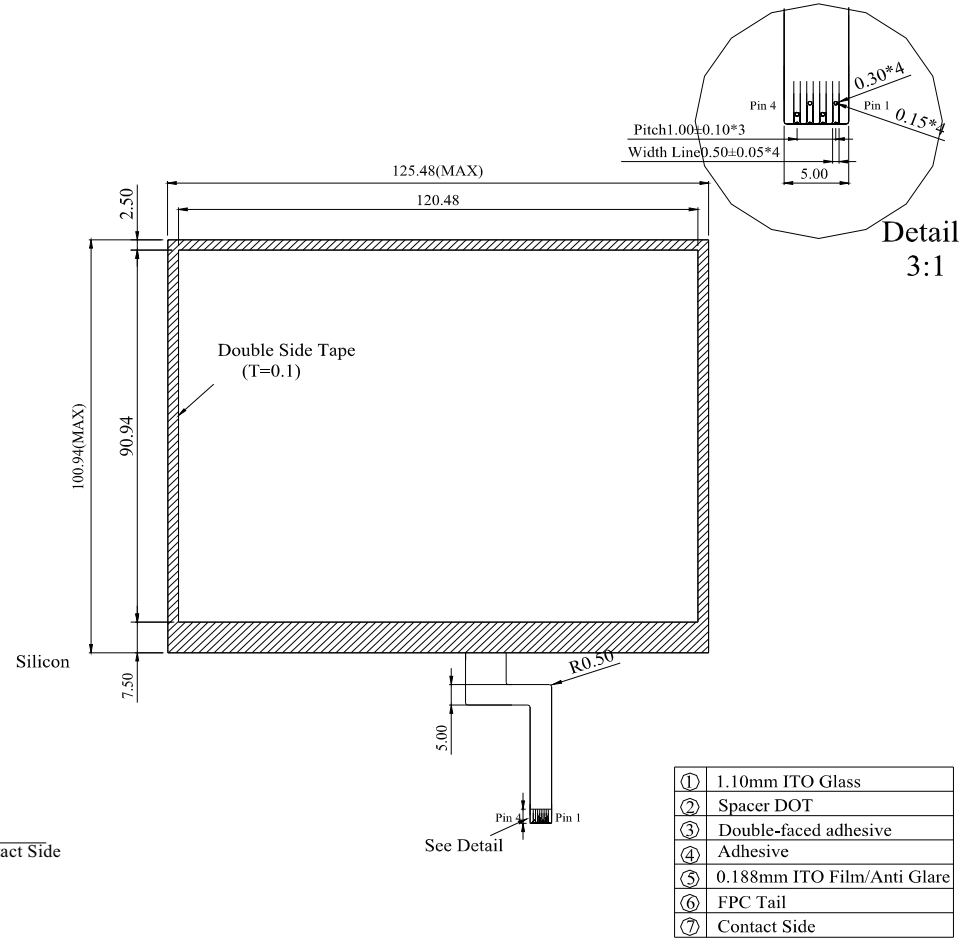
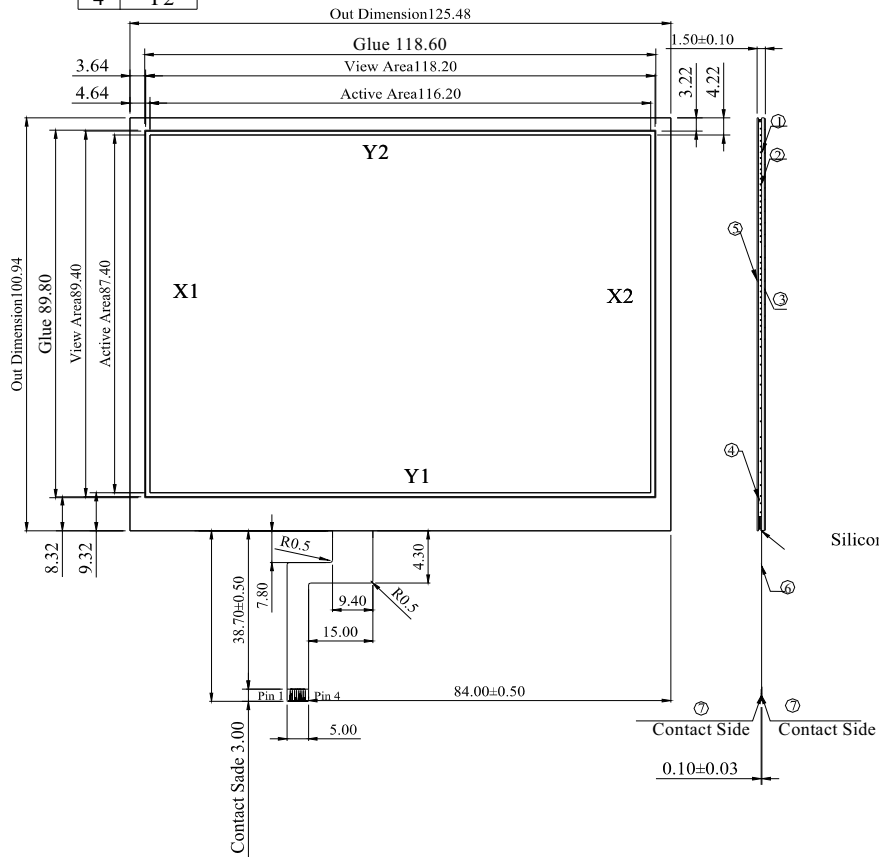
\*\*\*The test of above being finished, touch screen must satisfy the specification as below:

Resistance between leads :

- (1) Linearity : 1.5%MAX
- (2) Insulation resistance:20MΩ XT.SHX ; MIN. ( DC 25V )
- (3) Life time :1000000 TIMES (Min)

PIN OUT	
1	X1
2	Y1
3	X2
4	Y2

PIN1-PIN3	200ohm-900ohm
PIN2-PIN4	200ohm-900ohm



## Newhaven LCD Panel Estimate Feedback Sheet

Panel Item Number : \_\_\_\_\_

### **1、Panel Specification :**

1. Panel Type :  Pass  NG , \_\_\_\_\_
2. View Direction :  Pass  NG , \_\_\_\_\_
3. Numbers of Dots(Icon) :  Pass  NG , \_\_\_\_\_
4. Operating Temperature :  Pass  NG , \_\_\_\_\_
5. Storage Temperature :  Pass  NG , \_\_\_\_\_
6. Others : \_\_\_\_\_

### **2、Mechanical Specification :**

1. Dots(Icon) Size :  Pass  NG , \_\_\_\_\_
2. VA Size :  Pass  NG , \_\_\_\_\_
3. AA Size :  Pass  NG , \_\_\_\_\_
4. Outline Dimension :  Pass  NG , \_\_\_\_\_
5. Others :  Pass  NG , \_\_\_\_\_

### **3、Summary :**

Sales signature : \_\_\_\_\_

Customer Signature : \_\_\_\_\_ **Date** : / /