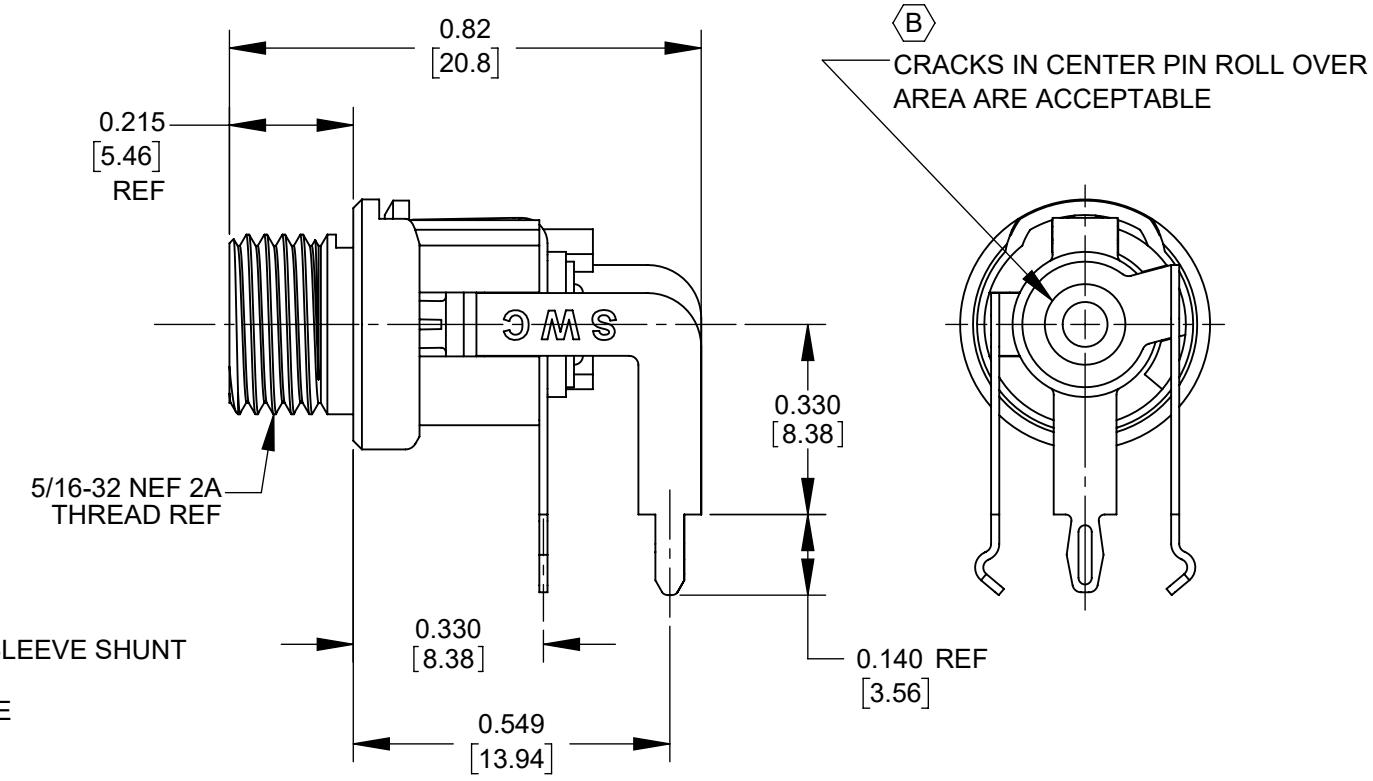
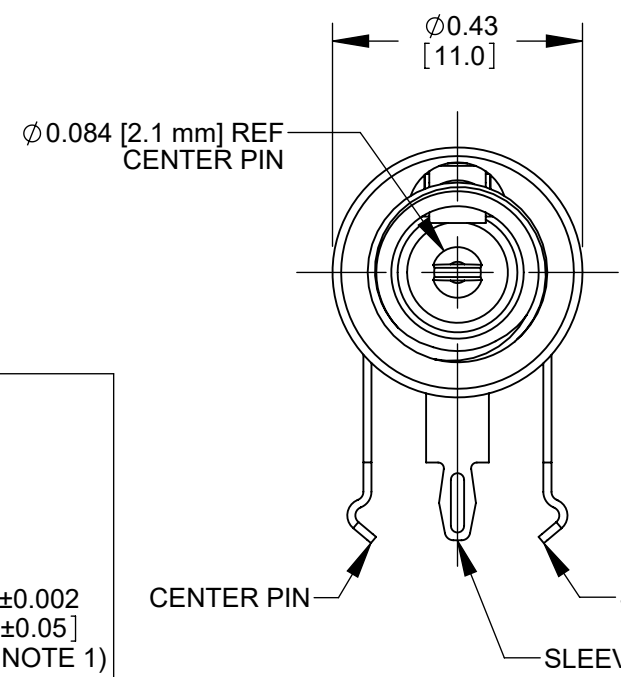
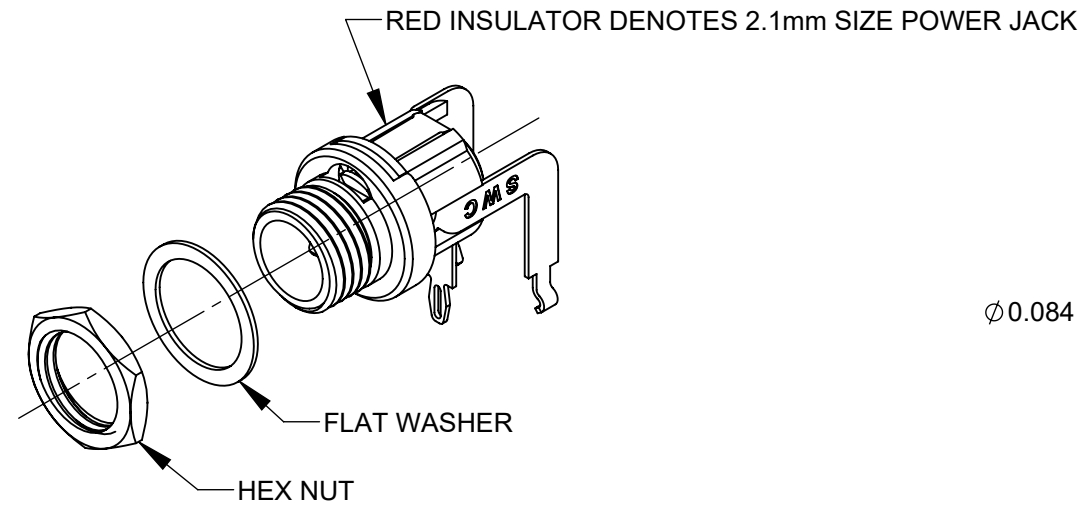
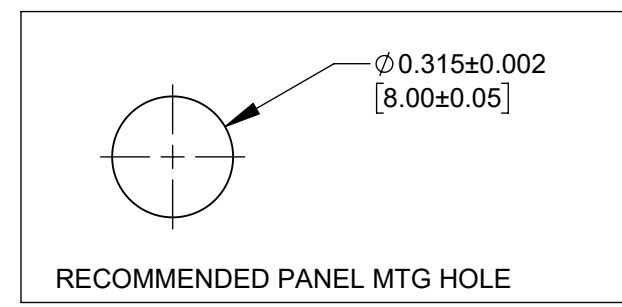
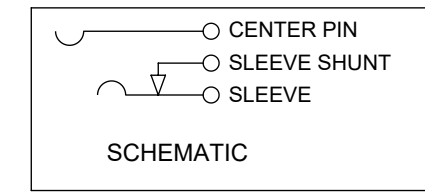
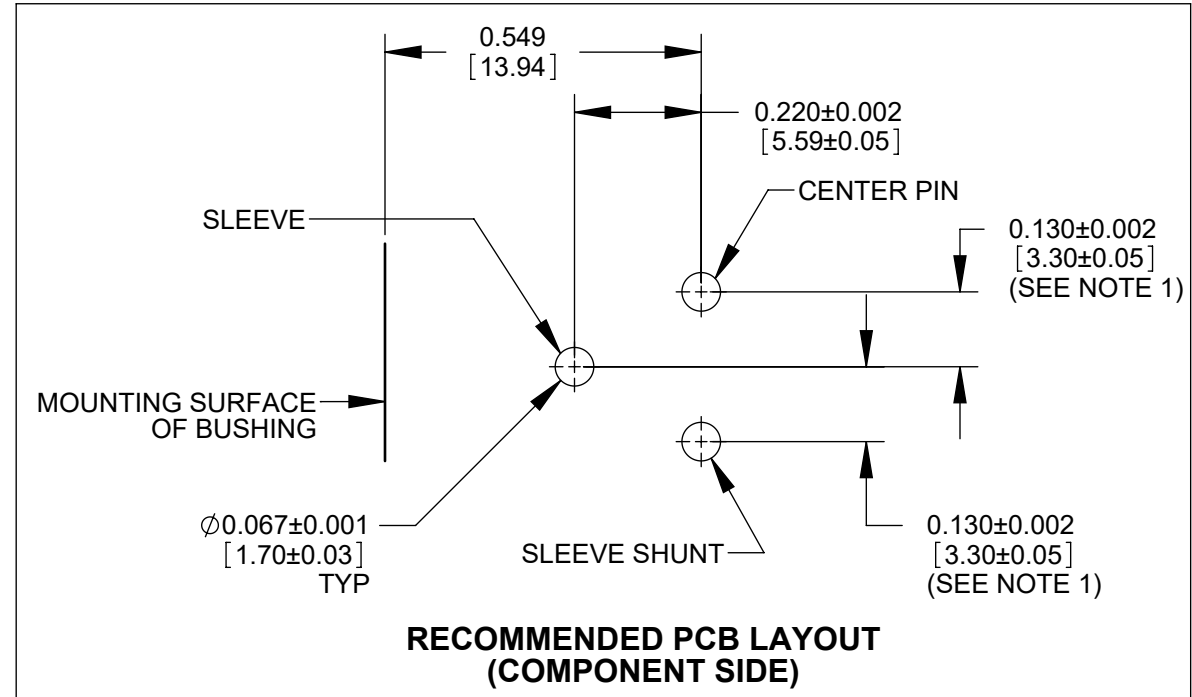


PART NUMBER	DESCRIPTION	SWITCHCRAFT MATING 2.1mm POWER PLUGS
721RA	2.1mm POWER JACK, RIGHT-ANGLE PC	762, 763, 762K, 763K



ⓑ CRACKS IN CENTER PIN ROLL OVER AREA ARE ACCEPTABLE



- NOTES:
- FOR HAND INSERTION USE SPACING 0.130 [3.30]  
FOR AUTOMATED INSERTION USE SPACING 0.135 [3.43]
  - DIMENSIONS SHOWN FOR REFERENCE ONLY.
  - HEX NUT AND FLAT WASHER SUPPLIED UNASSEMBLED.
  - MATERIAL:  
HOUSING, HEX NUT - COPPER ALLOY, NICKEL PLATED  
INSULATOR HOUSING - THERMOPLASTIC, RED  
TERMINAL INSULATORS - PHENOLIC  
FLAT WASHER - STEEL, NICKEL PLATED  
PIN, SPRING, TERMINALS - COPPER ALLOY, SILVER PLATED
  - ⓑ IT IS RECOMMENDED THAT THE JACK MOUNTING NUT BE TIGHTENED SNUG BY HAND BEFORE APPLYING A FINAL TIGHTENING TORQUE OF 8-10 LB-IN USING HAND TOOLS ONLY. POWER DRIVER OR IMPACT DRIVERS ARE NOT RECOMMENDED.
  - THESE PRODUCTS ARE RoHS COMPLIANT.

**CUSTOMER DRAWING**

REV	ECO NUMBER	DATE	BY	APVD
B	28397	06/11/21	PC	TJK
A	27987	01/08/18	PC	TJK

UNLESS OTHERWISE SPECIFIED

1. ALL DIMENSIONS IN INCHES [mm]  
- TWO PLACE DECIMALS ±0.02 [0.5]  
- THREE PLACE DECIMALS ±0.005 [0.13]

DO NOT SCALE DRAWING

THIS DRAWING DESCRIBES A DESIGN CONSIDERED PROPRIETARY IN NATURE, DEVELOPED AND MANUFACTURED BY SWITCHCRAFT INC. AND IS RELEASED ON A CONFIDENTIAL BASIS FOR IDENTIFICATION PURPOSES ONLY.										
SIZE	WIDTH	MULT	LBS/M	TEMPER						
FINISH SPEC No.					MATERIAL SPEC No.					
FIRST USED ON					SCALE 3:1					
DATE DRAWN	BY	CHKD	APVD							
02/08/17	PNK	PNK	SRC							
			02/08/17	02/08/17						
NAME 2.1mm POWER JACK RIGHT-ANGLE PC, RoHS								PART No. 721RA		REV B

