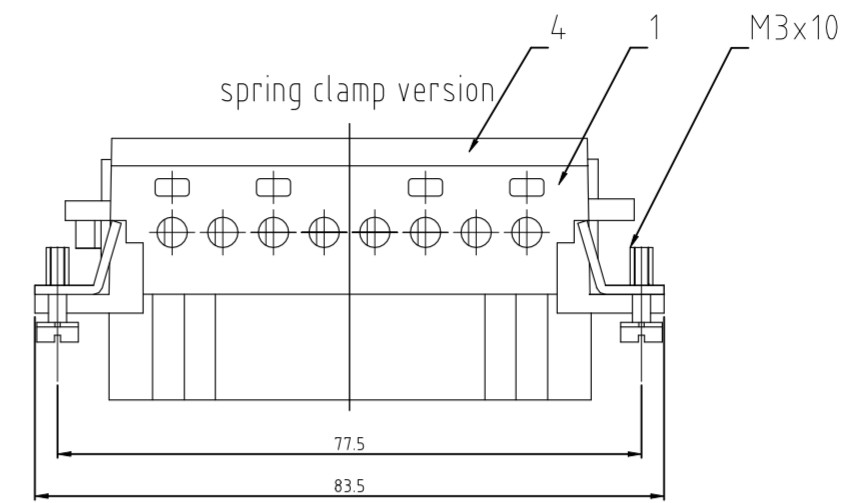
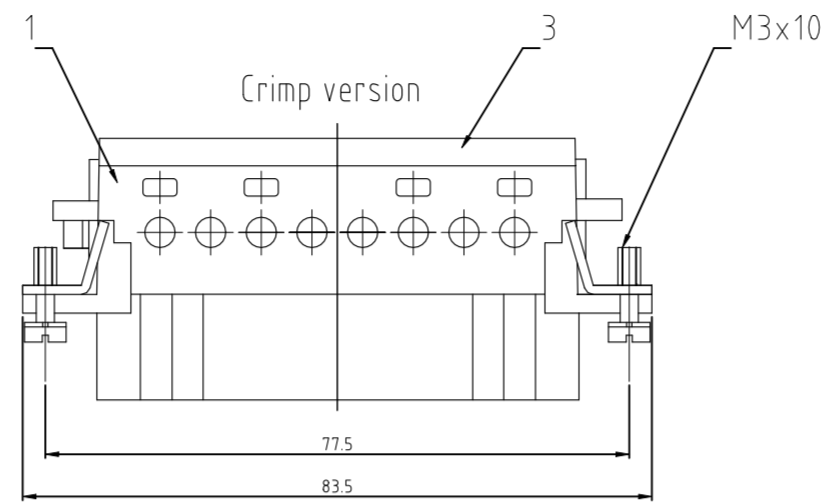
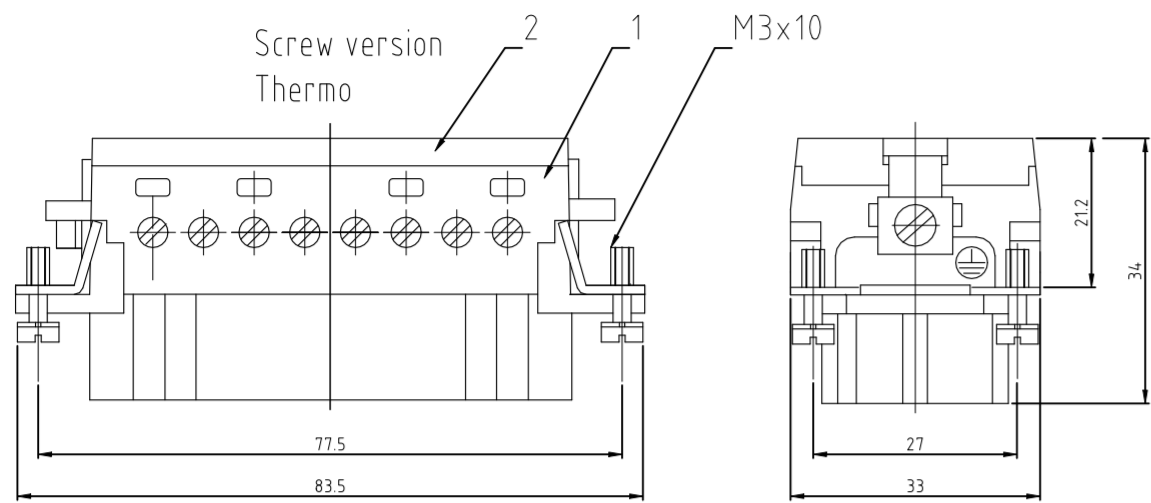


THIS DRAWING IS UNPUBLISHED.  
VERTRÄULICHE UNVERÖFFENTLICHTE ZEICHNUNG

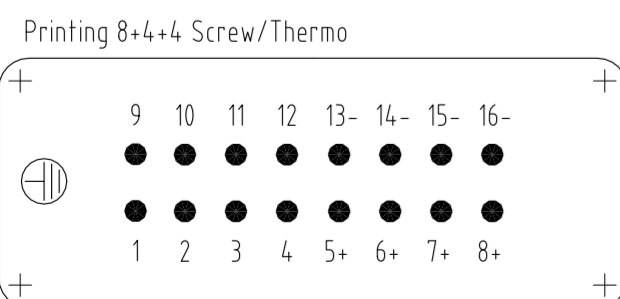
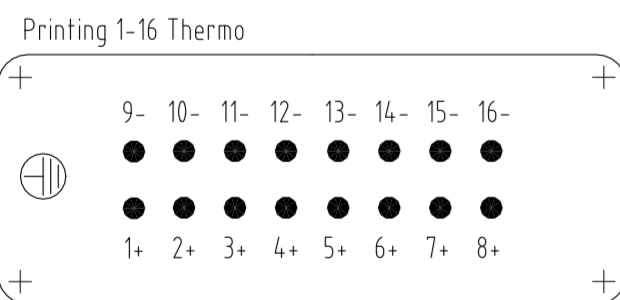
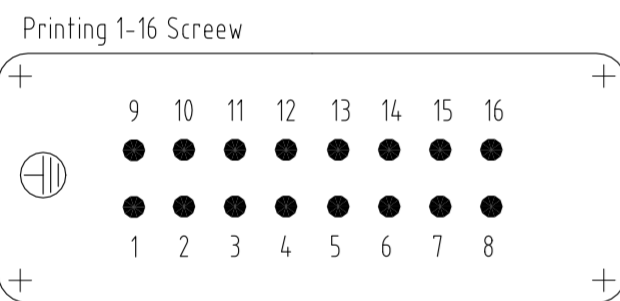
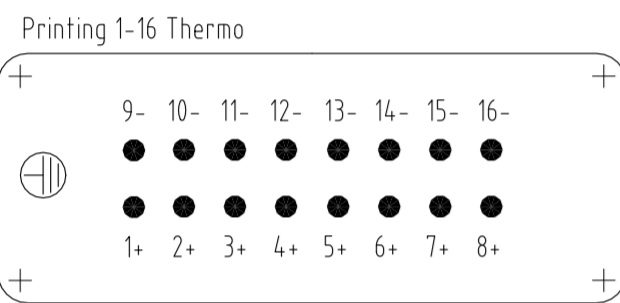
RELEASED FOR PUBLICATION  
FREI FUER VERÖFFENTLICHUNG  
ALL RIGHTS RESERVED.  
ALLE RECHTE VORBEHALTEN

MATED WITH:  
PASSEND ZU:  
HE

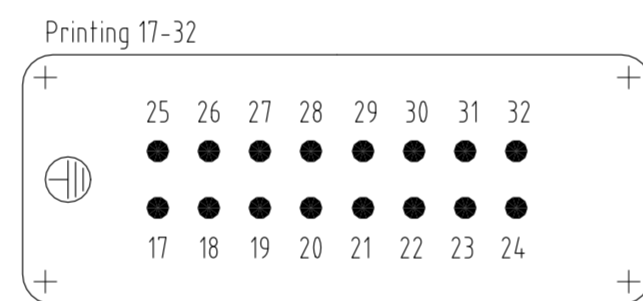
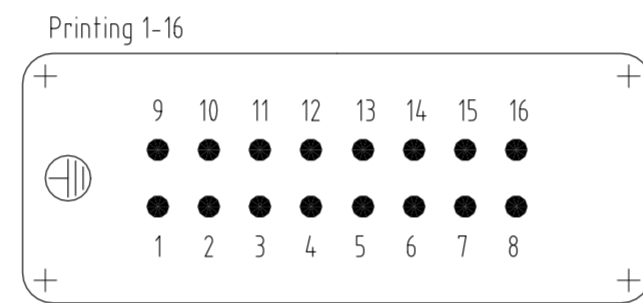
REVISIONS				
P	LTR	DESCRIPTION	DATE	APVD
C13	ECR-21-123503	BESCHREIBUNG	06JUL2022	RK JB



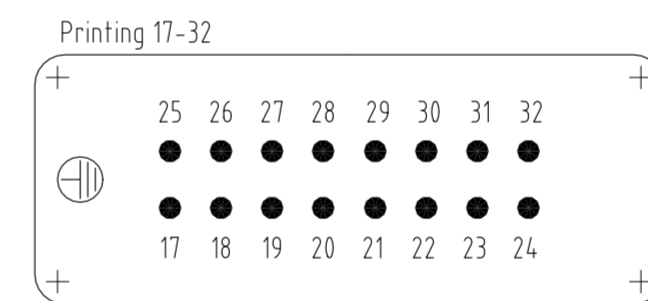
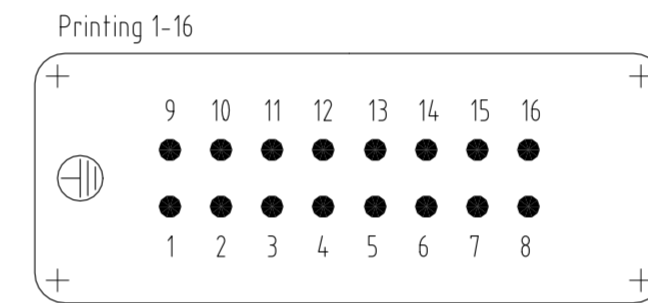
Contact arrangement view from termination side



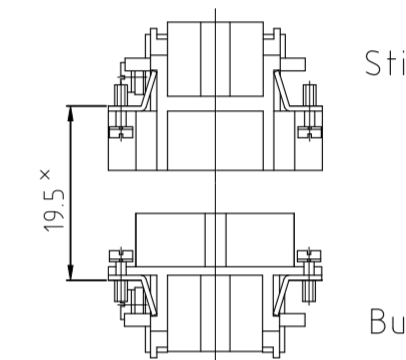
Contact arrangement view from termination side



Contact arrangement view from termination side



assembly directions

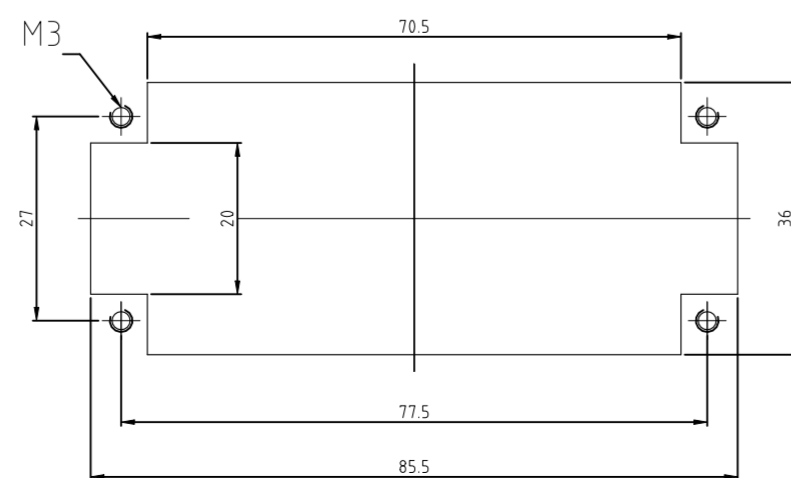


X distance for a safe contact max: max: 21 mm

NOTES:

- 1 SUITABLE CRIMP CONTACTS: SERIES HE/HA  
OUTER DIMENSIONS OF INSULATION: MAX.  $\phi 3,2$  MM
- 2 SUITABLE HOOD SIZE 6; 10; SERIES HB; HD;HIP,EMV  
SUITABLE INSERTION AND EXTRACTION TOOL:  
SCREWDRIVER 0,5x3 DIN 5264
- 3 Strip lenght: Screw conection 10mm  
Spring clamp conection 10mm Crimp conection 7.5mm
- 4 STANDARDS:  
DIN EN 61984; DIN EN 60664-1
- 5 PACKAGING:  
5 SETS IN A CARTON, PRE-MOUNTED
- 6 SPECIAL PACKAGING: Krauss-Maffei  
PACKAGING UNIT: 200 PIECES

Panel cut-out for contact insert when used without housing



OBSOLETE	OBSOLETE	OBSOLETE	OBSOLETE	OBSOLETE	OBSOLETE	OBSOLETE	OBSOLETE	OBSOLETE	OBSOLETE
HE.16.Bu.S.B1-16-KM	HE.16.Bu.S.T-B-8+4+4	HE.16.Bu.S.B1-16-AU	HE.16.Bu.S.C.B-17-32	HE.16.Bu.S.C.B-17-16	HE.16.Bu.C.B-17-32	HE.16.Bu.C.B-17-16	HE.16.Bu.S.B-17-32	HE.16.Bu.S.T-B-1-16	HE.16.Bu.S.B-1-16

DESCRIPTION / BENENNUNG	MATERIAL	COLOR / FARBE	ITEM NO. POS.	REMARKS / BEMERKUNGEN
Deckel Federklemmversion		lichtgrau	4	
Deckel Crimpversion		lichtgrau	3	
Deckel Schraubversion		lichtgrau	2	
Buchseneinsatz		lichtgrau	1	

THIS DRAWING IS A CONTROLLED DOCUMENT. DIESE ZEICHNUNG IST EIN KONTROLLIERTES DOKUMENT.		DWN 08.02.2000	<p>TE Connectivity</p> <p>Female insert HE.16.BU.C/S</p>
DIMENSIONS: MASSENHEITEN mm		CHK 08.02.2000	
TOLERANCES, UNLESS OTHERWISE SPECIFIED: ALLGEMEINTOLERANZEN		APVD -	
MATERIAL		NAME	
FINISH / OBERFLAECHE / FARBE		PRODUCT SPEC	SIZE
MATERIAL		APPLICATION SPEC.	CAGE CODE
MATERIAL		WEIGHT	DRAWING NO.
MATERIAL		WEIGHT	ZEICHNUNGS-NR.
MATERIAL		WEIGHT	SCALE
MATERIAL		WEIGHT	SHEET
MATERIAL		WEIGHT	BLATT
MATERIAL		WEIGHT	1 OF 1
MATERIAL		WEIGHT	VON 1
MATERIAL		WEIGHT	REV
MATERIAL		WEIGHT	C13