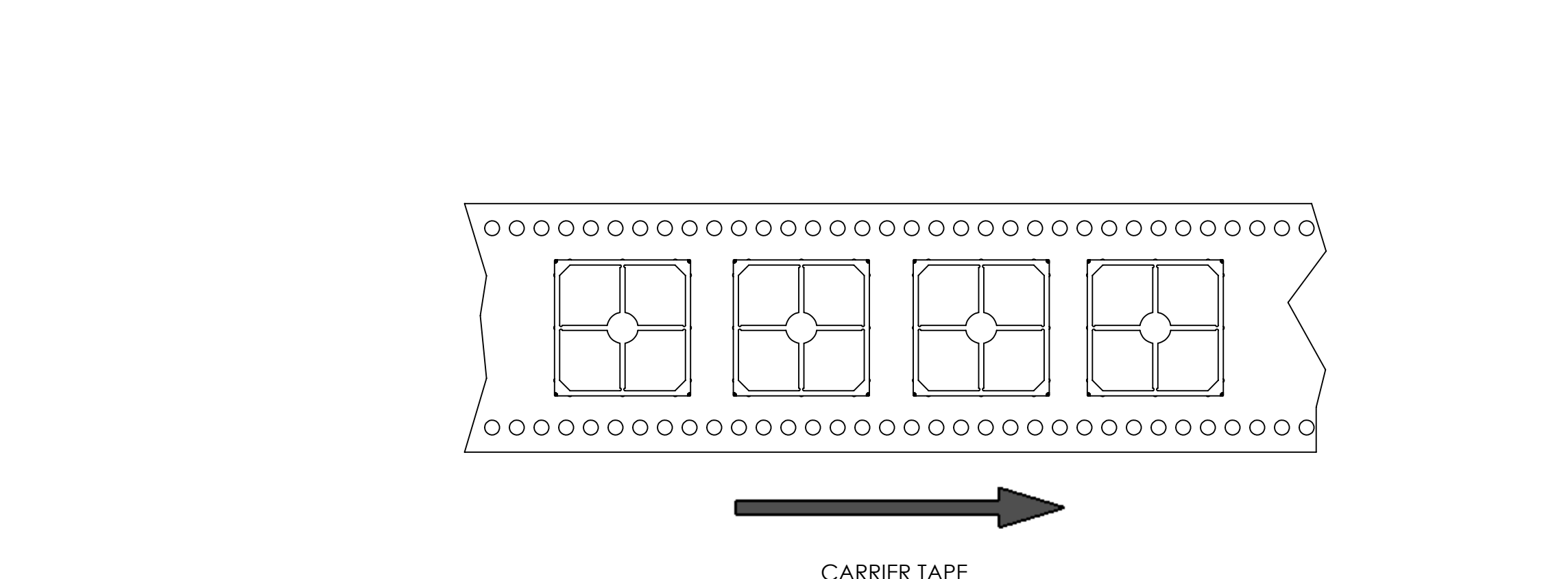
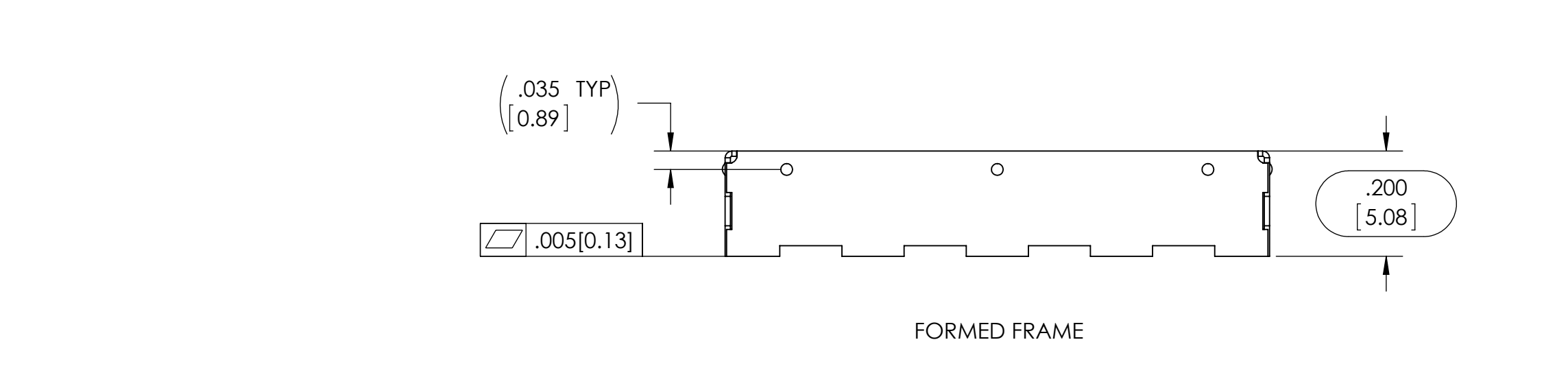
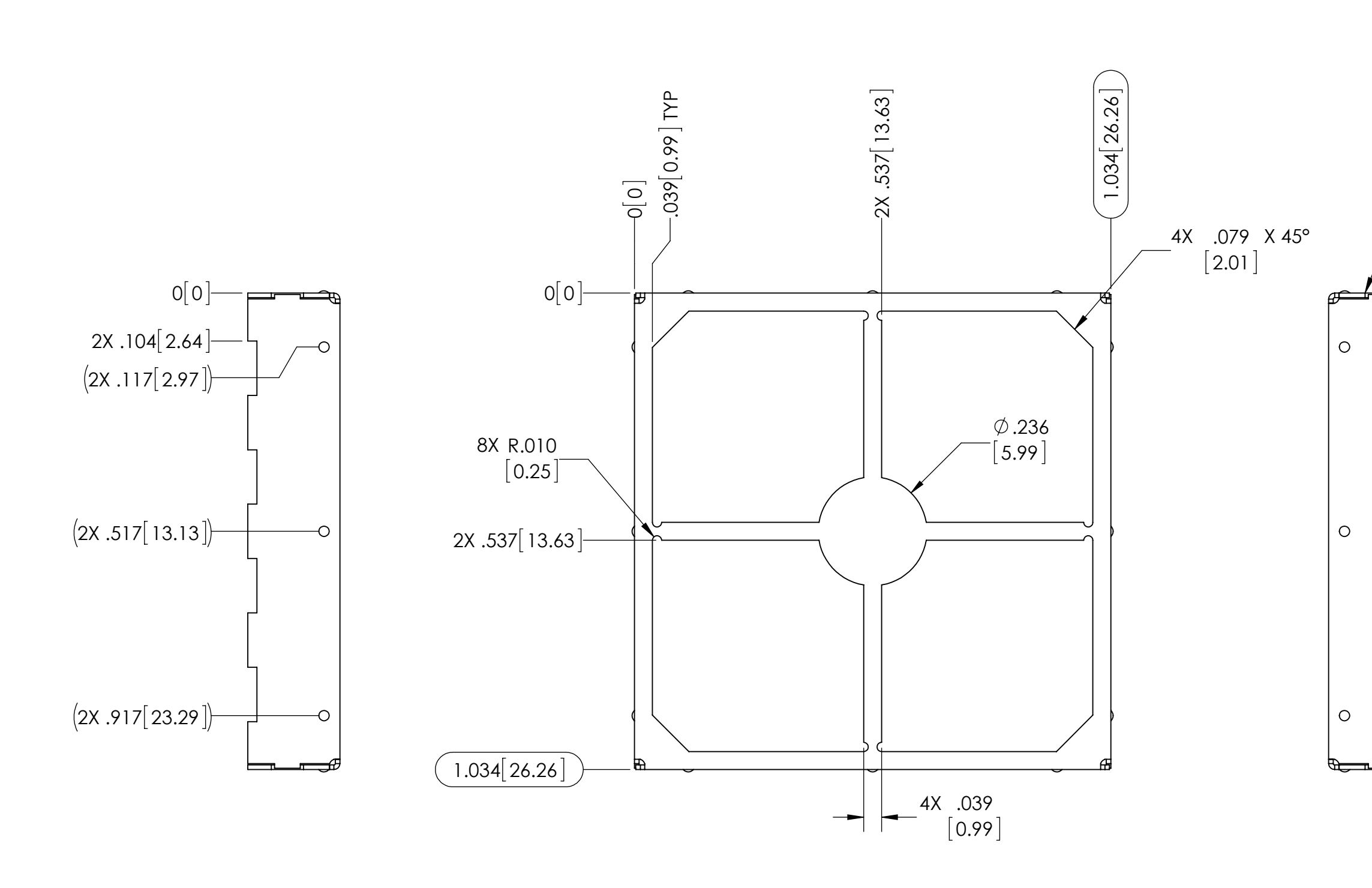
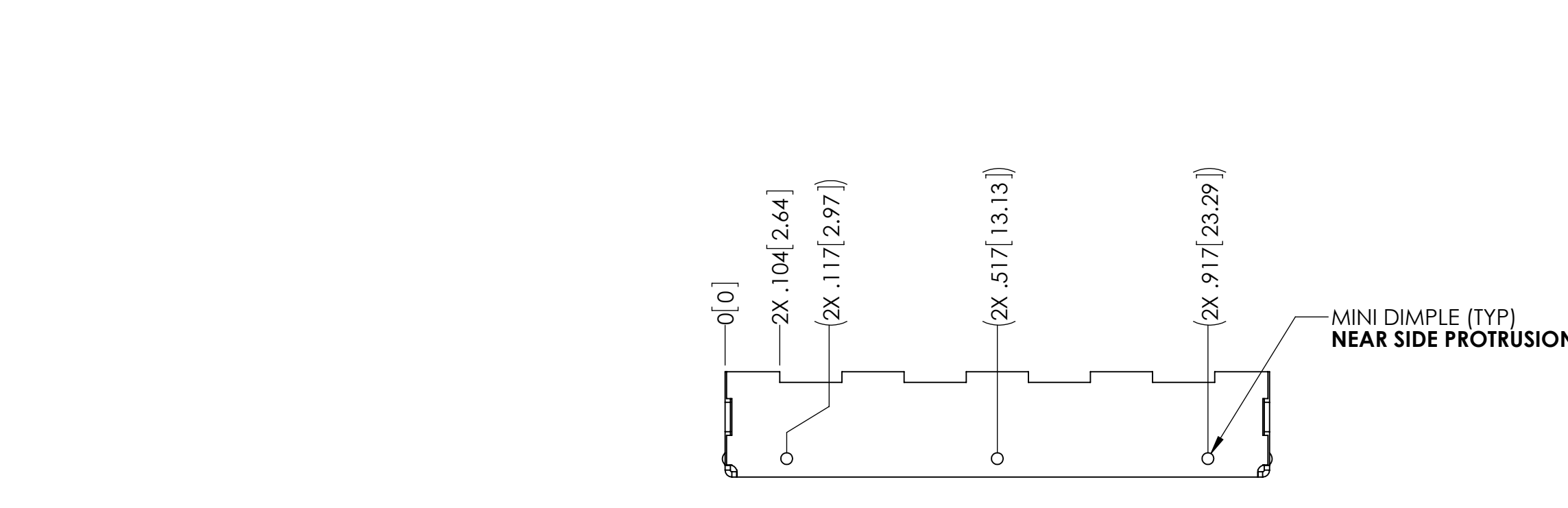
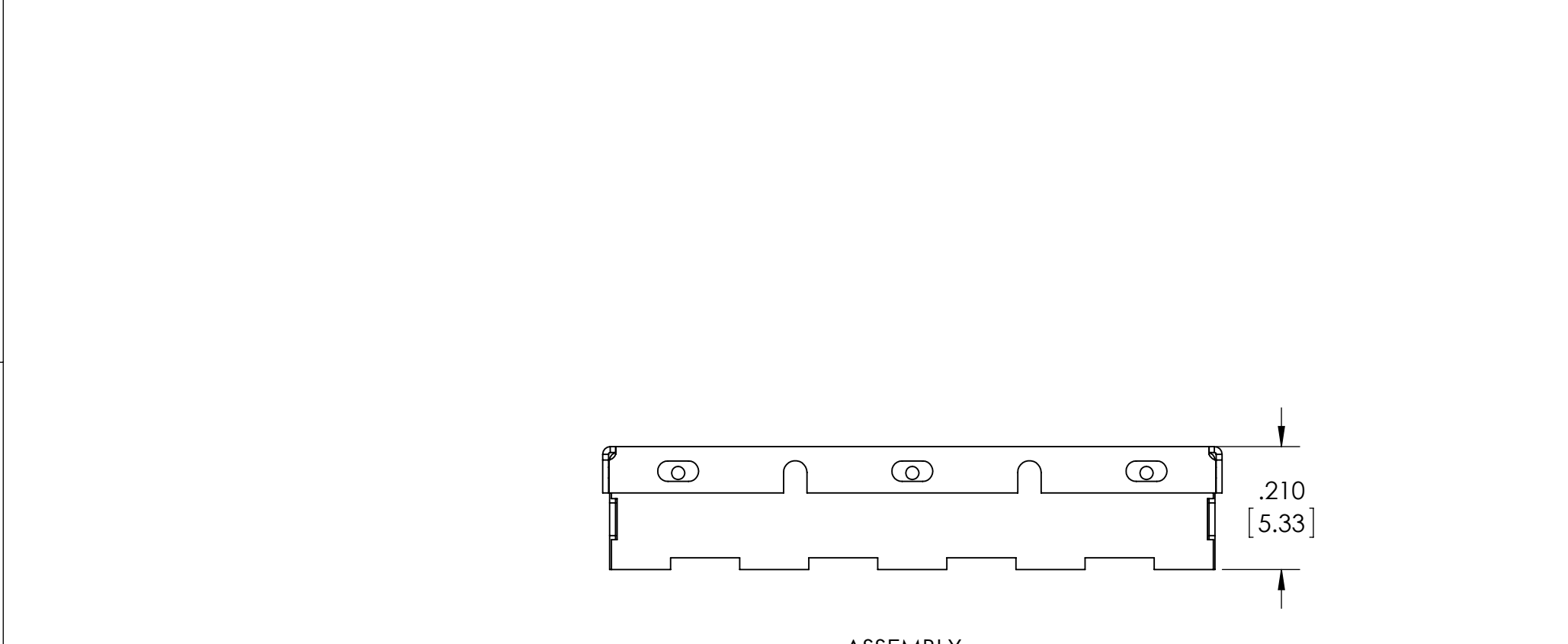
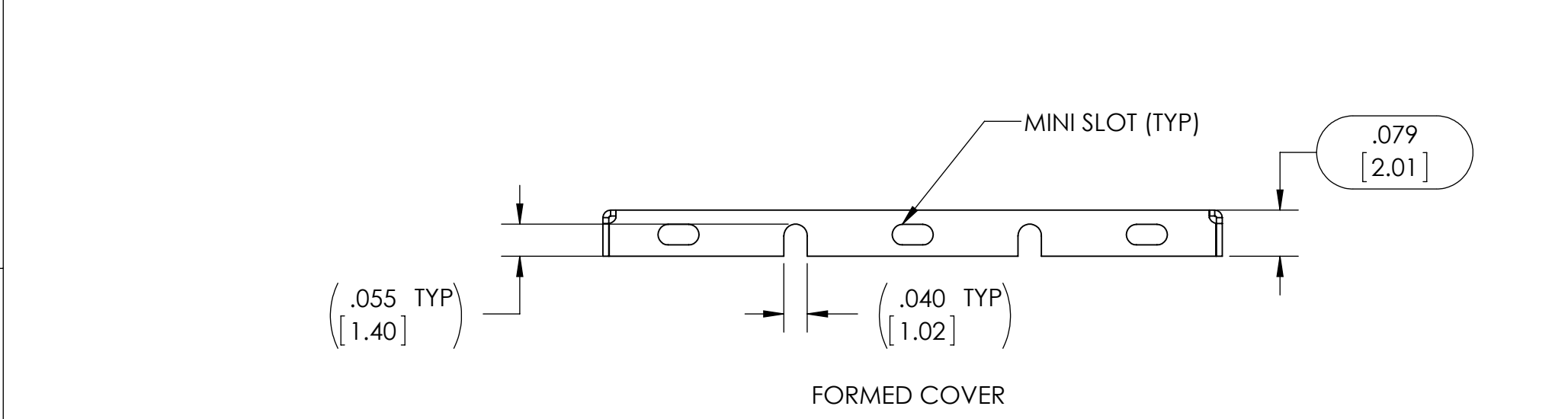
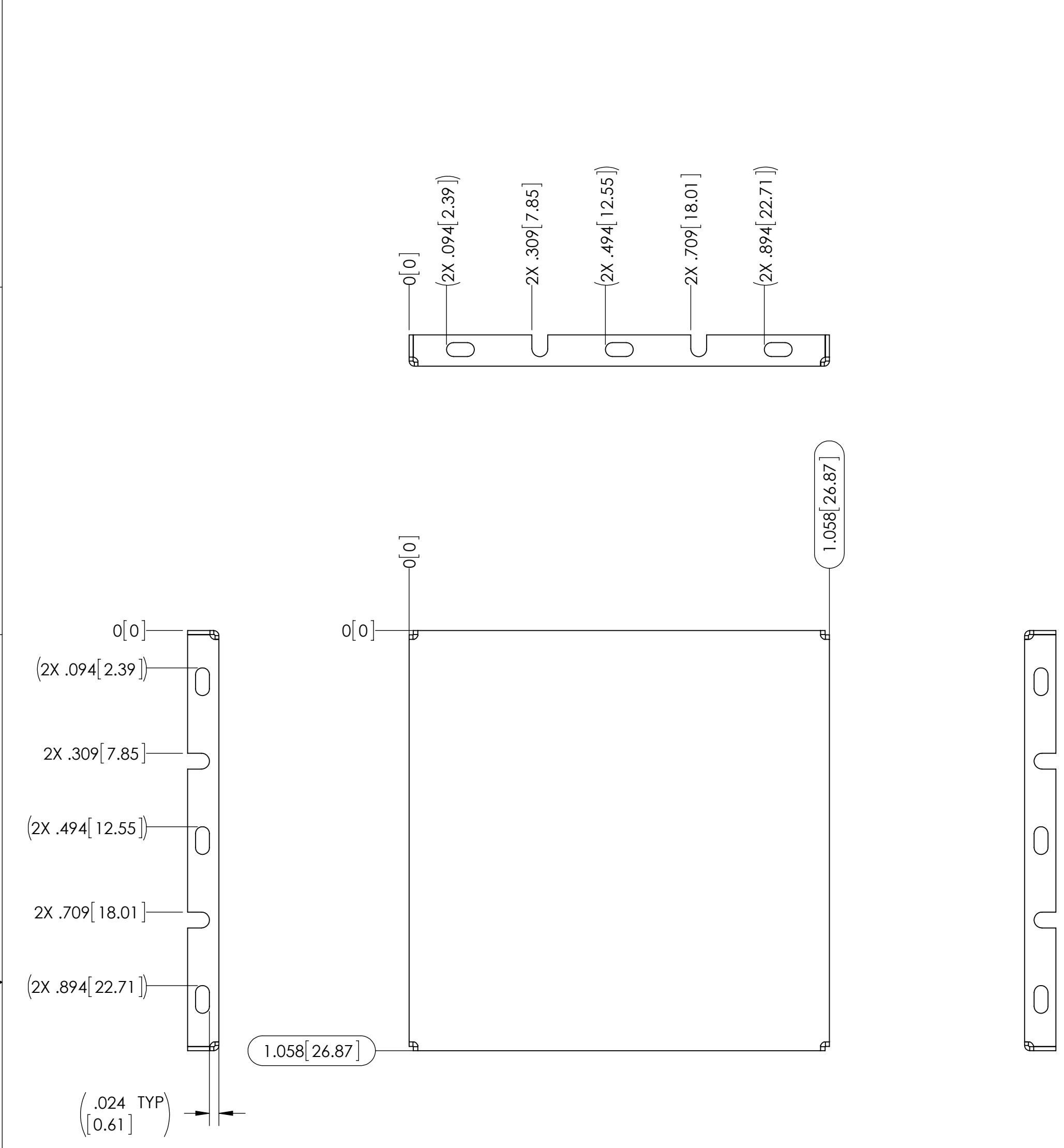
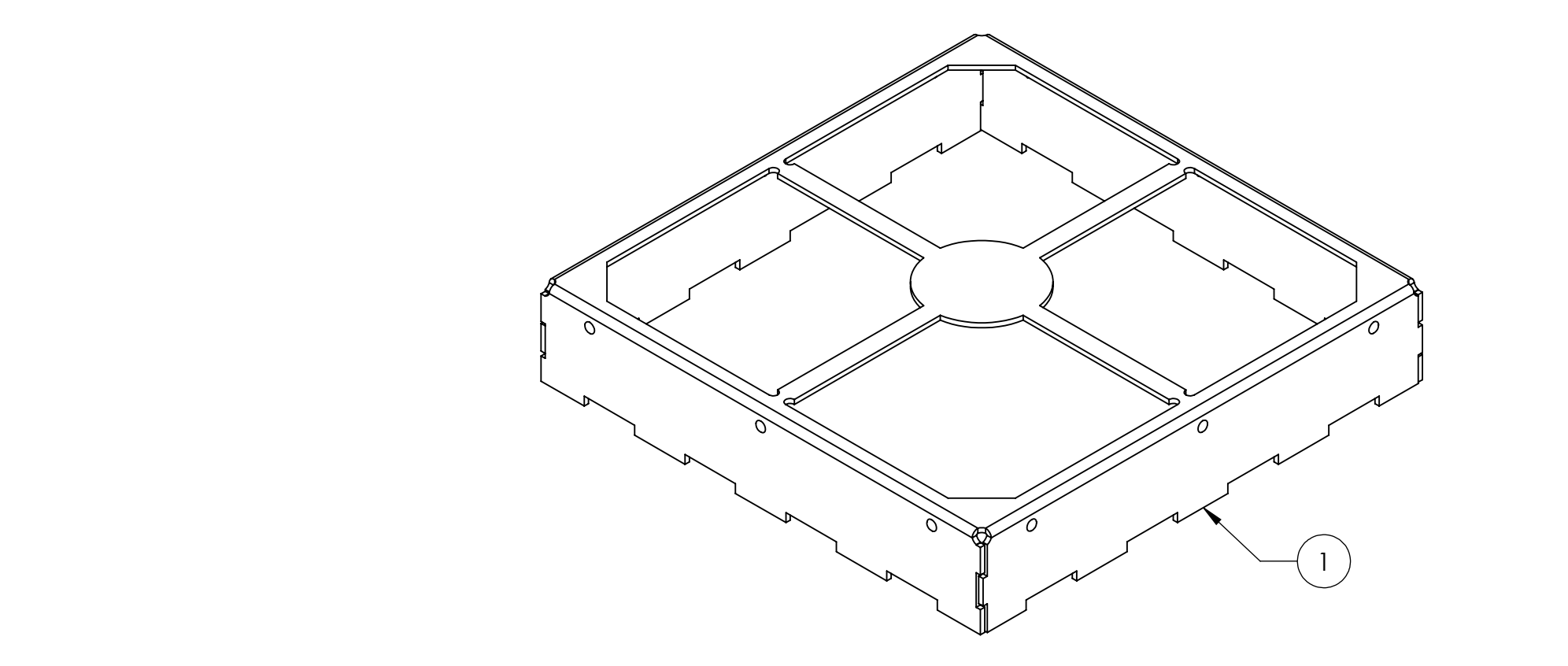
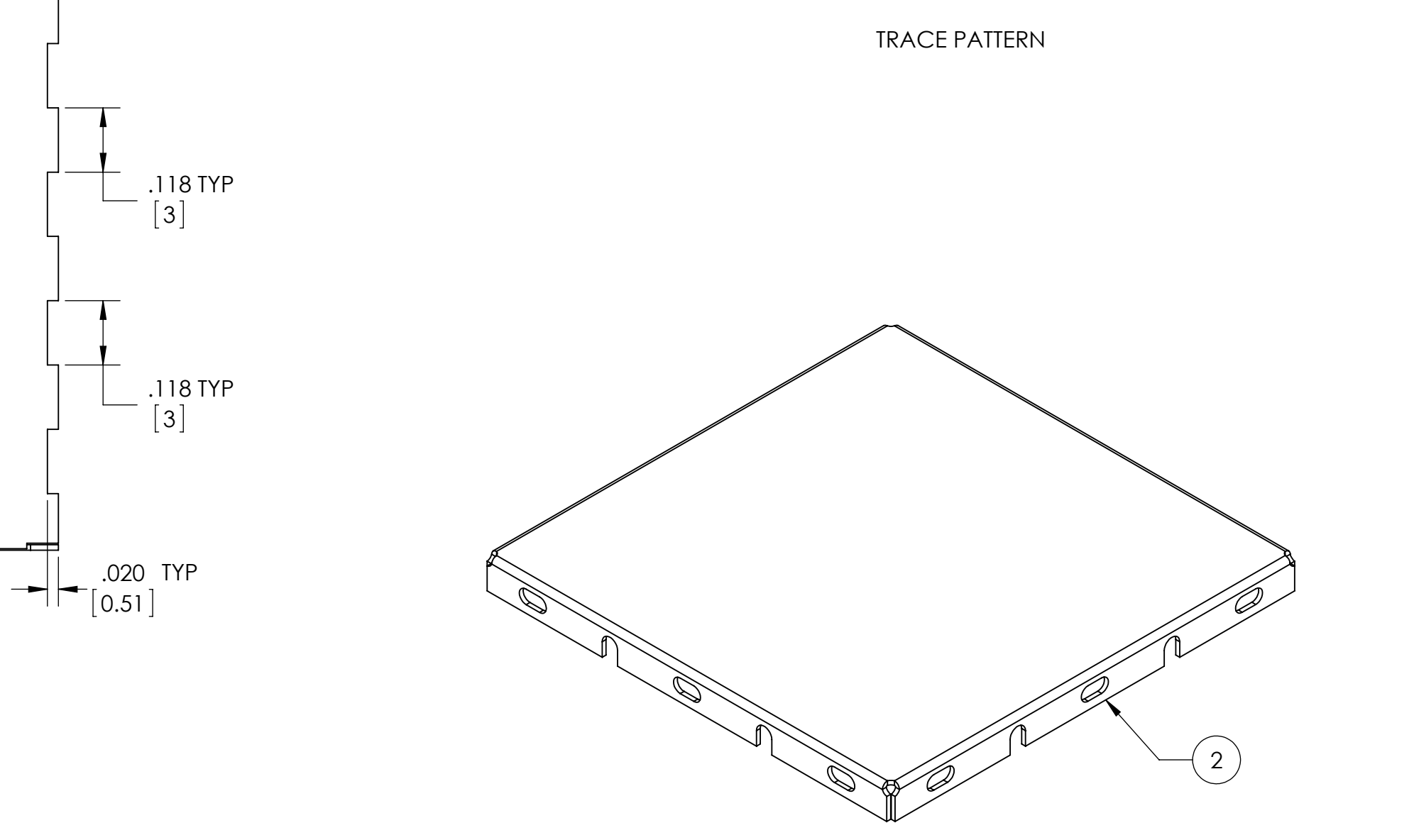
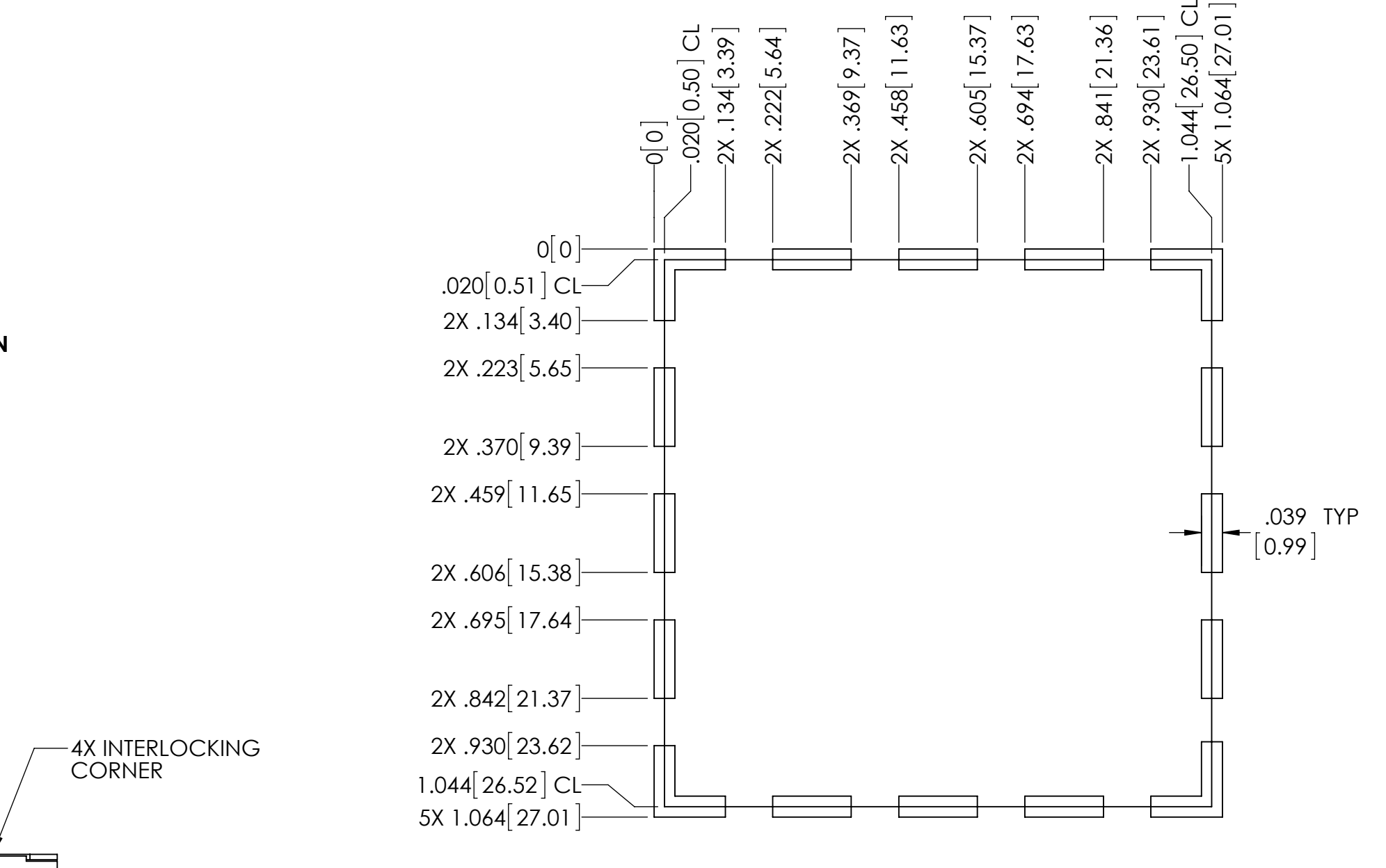


NOTES:  
 1. ASSURE ASSEMBLY CAPABILITY BY MATCHING WITH MATING PART  
 2. DIMENSIONS IN [ ] ARE IN MILLIMETERS



CARRIER TAPE SPECIFICATIONS						
PART NUMBER	DESCRIPTION	OVERALL DIMENSION	OVERALL HEIGHT	CARRIER TAPE WIDTH	CARRIER TAPE PITCH	PARTS PER REEL
SMS-403F	FRAME	1.034 X 1.034 [26.26 X 26.26]	.200 [5.08]	44mm	32mm	300
SMS-403C	COVER	1.058 X 1.058 [26.87 X 26.87]	.079 [2.01]	N/A	N/A	BULK PACK



ITEM NO.	PART NUMBER	DESCRIPTION	QTY.
1	SMS-403F	FRAME	1
2	SMS-403C	COVER	1

UNLESS OTHERWISE SPECIFIED: - ALL DIMENSIONS ARE IN INCHES - PART SHALL BE FREE OF BURRS AND SHARP EDGES - ALL DIMENSIONS SHOWN APPLY AFTER PLATING AND COATINGS - ROHS COMPLIANT PER EU DIRECTIVE 2011/65/EU - POI = POINT OF INTERSECTION		THIRD ANGLE PROJECTION	 <b>LEADER TECH</b> <small>a HEICO company</small> <small>The Leading Edge in PCB Mounting Technology</small>
TITLE: <b>SURFACE MOUNT SHIELD</b>		DRAWN BY: ACS APPROVED BY: Nick Demyanovich DATE: 2015-04-16 MATERIAL: BRIGHT .010[0.25] - PRE TIN STEEL	
SCALE: 4:1	DWG. NO.: D	CAGE CODE: 41674	REV: A
SHEET: 1 OF 1			

THIS DOCUMENT CONTAINS PROPRIETARY INFORMATION OWNED BY LEADERTECH OR DEVELOPED AT ITS OWN PRIVATE EXPENSE AND MAY NOT BE USED, DUPLICATED OR DISCLOSED IN WHOLE OR IN PART FOR ANY PURPOSE INCLUDING DESIGN, MANUFACTURE OR PROCUREMENT WITHOUT THE WRITTEN PERMISSION OF LEADERTECH. LEADERTECH DOES NOT GUARANTEE OR WARRANT THE PERFORMANCE CHARACTERISTICS.