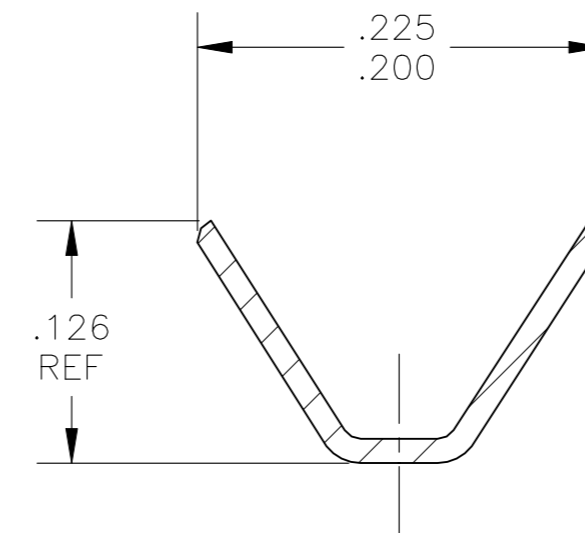
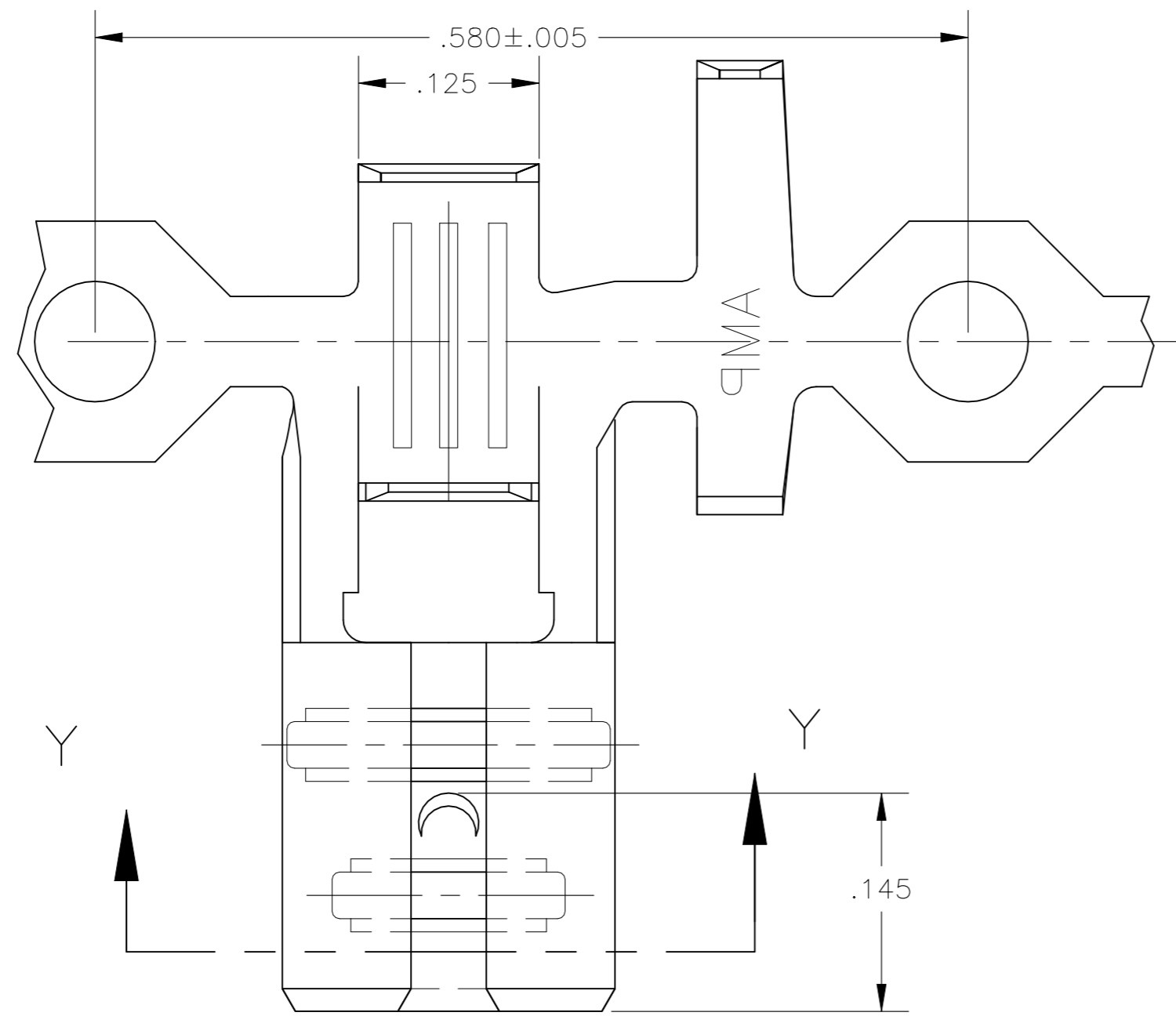
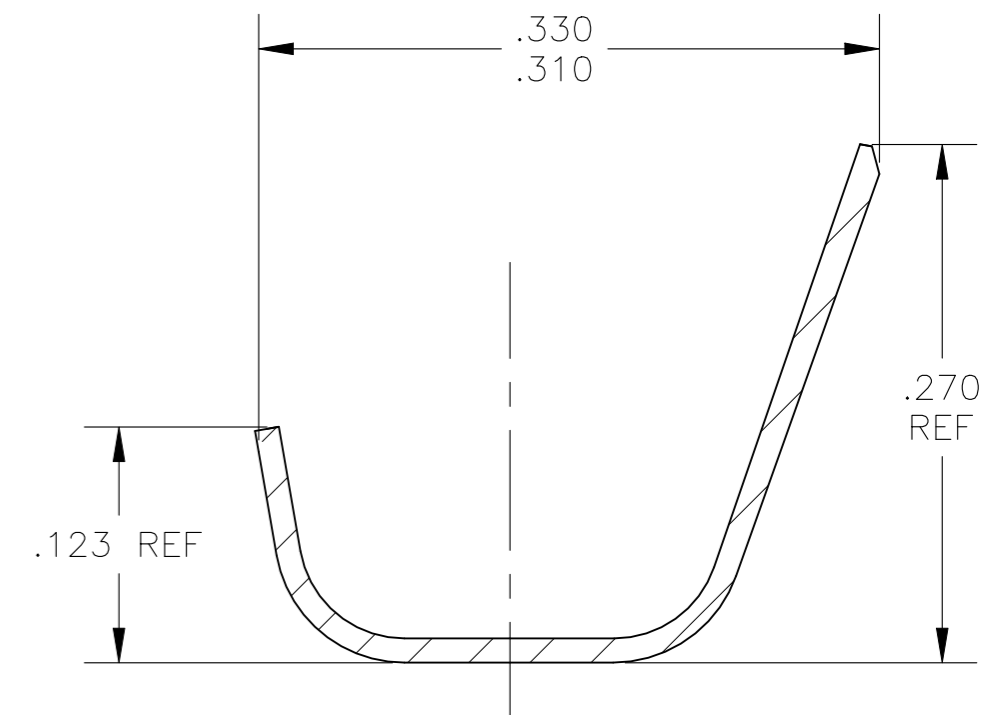


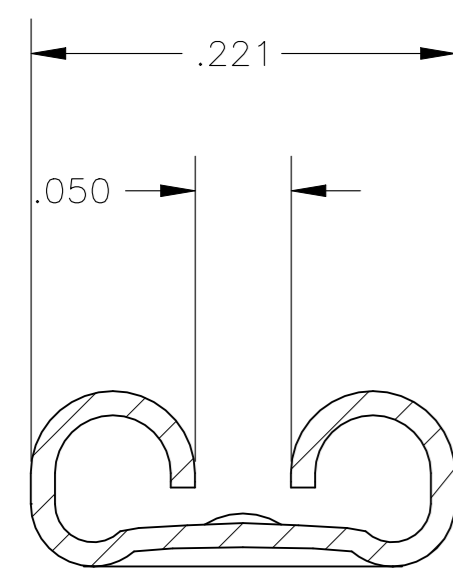
REVISIONS					
P	LTR	DESCRIPTION	DATE	DWN	APVD
H1		REVISED PER ECR-22-137168	13MAY2022	SS	ES



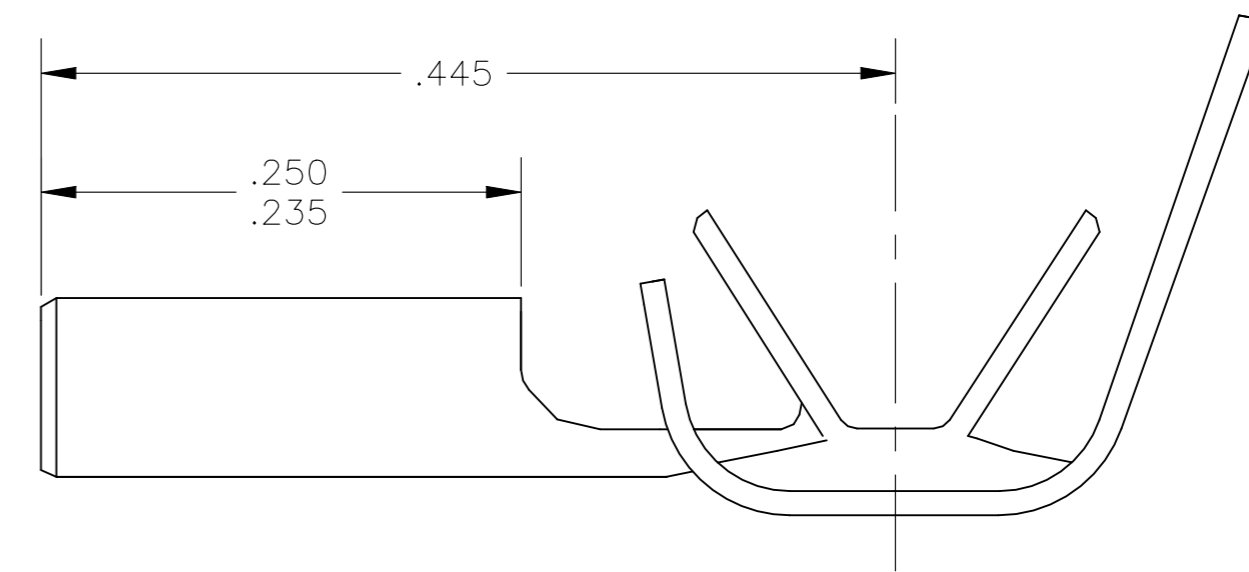
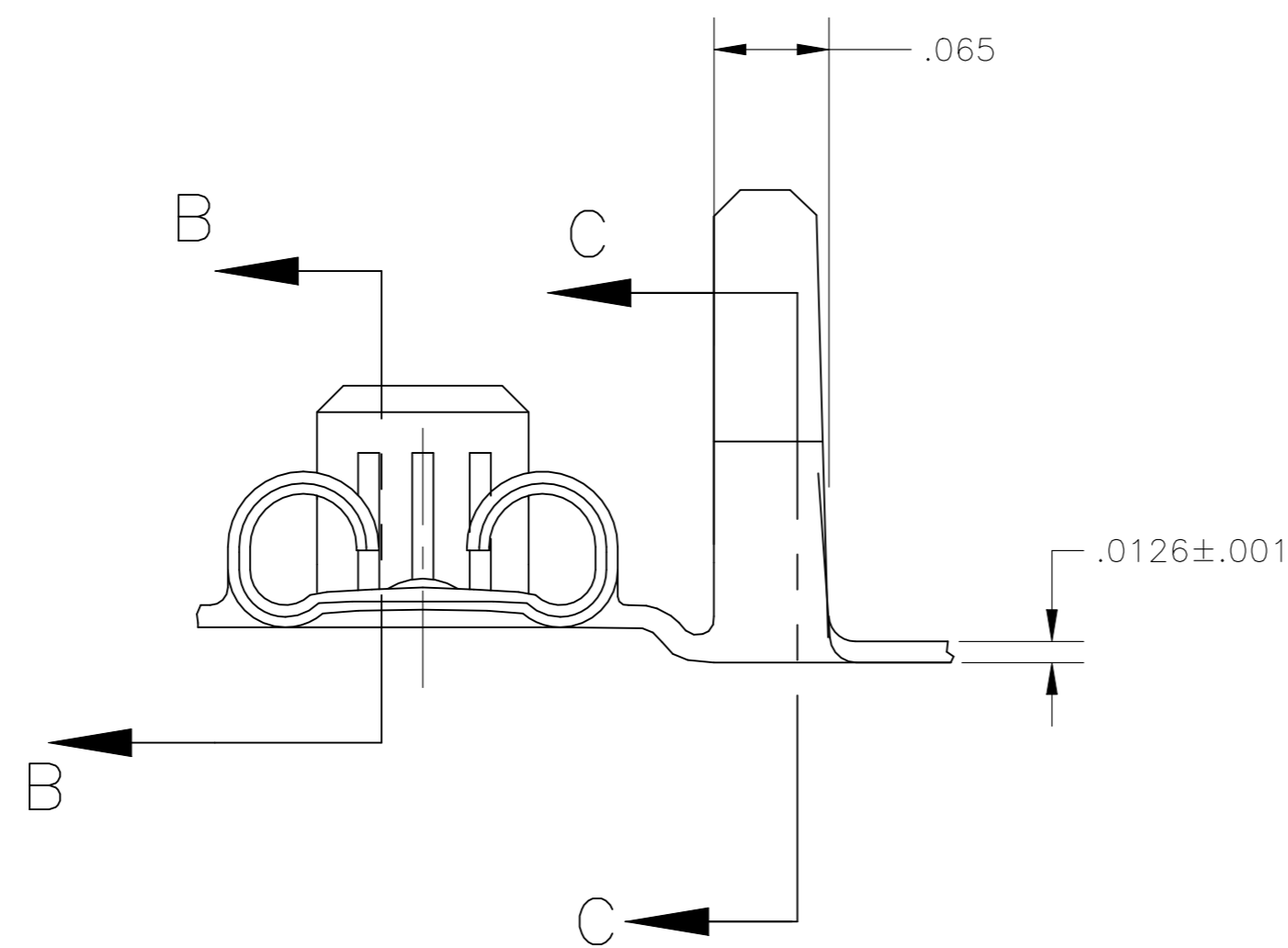
SECTION B-B



SECTION C-C



SECTION Y-Y



TIN	1742089-2
PLAIN	1742089-1
FINISH	PART NO

THIS DRAWING IS A CONTROLLED DOCUMENT.		DWN	JR_RUTH	04mar04	 TE Connectivity	NAME		RECEPTACLE, FASTON, FLAG, .187 SERIES		
DIMENSIONS:		CHK	P_DESANTIS	04MAR04		PRODUCT SPEC		SIZE	CAGE CODE	DRAWING NO
INCHES		APVD	P_DESANTIS	04MAR04		APPLICATION SPEC		SCALE	SHEET	RESTRICTED TO
TOLERANCES UNLESS OTHERWISE SPECIFIED: 0 PLC ± - 1 PLC ± - 2 PLC ± - 3 PLC ± .010 4 PLC ± - ANGLES ± 2°		WEIGHT	0.000000	A2		00779	C=1742089	10:1	1 OF 1	REV H1
MATERIAL		BRASS		FINISH		CUSTOMER DRAWING				