

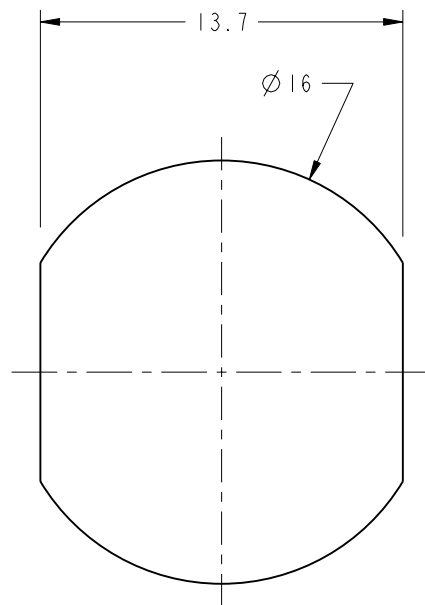
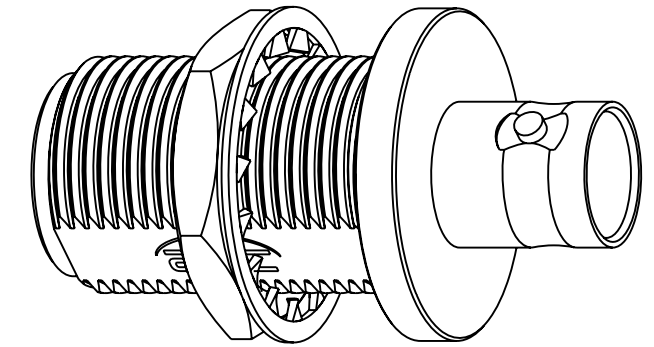
NOTES:

1. MATERIALS AND FINISHES:
 BODY - BRASS, NICKEL PLATING
 CONTACT - BeCu, GOLD PLATING
 INSULATOR - PTFE
 O-RING - SILICONE RUBBER
 HEX NUT - BRASS, NICKEL PLATED
 LOCKWASHER - PHOSPHOR BRONZE, NICKEL PLATED
2. ELECTRICAL:
 A. IMPEDANCE: 50 OHM
 B. FREQUENCY RANGE: DC - 4 GHz
 C. VSWR: 1.3 FROM DC TO 4 GHz
3. MECHANICAL:
 A. IP-67 COMPLIANT IN UNMATED CONDITION.
4. PACKAGING:
 A. QUANTITY: SINGLE PACK
 B. MARKING: BAG TO BE MARKED
 "AMPHENOL RF, 82-6532, AND DATE CODE"

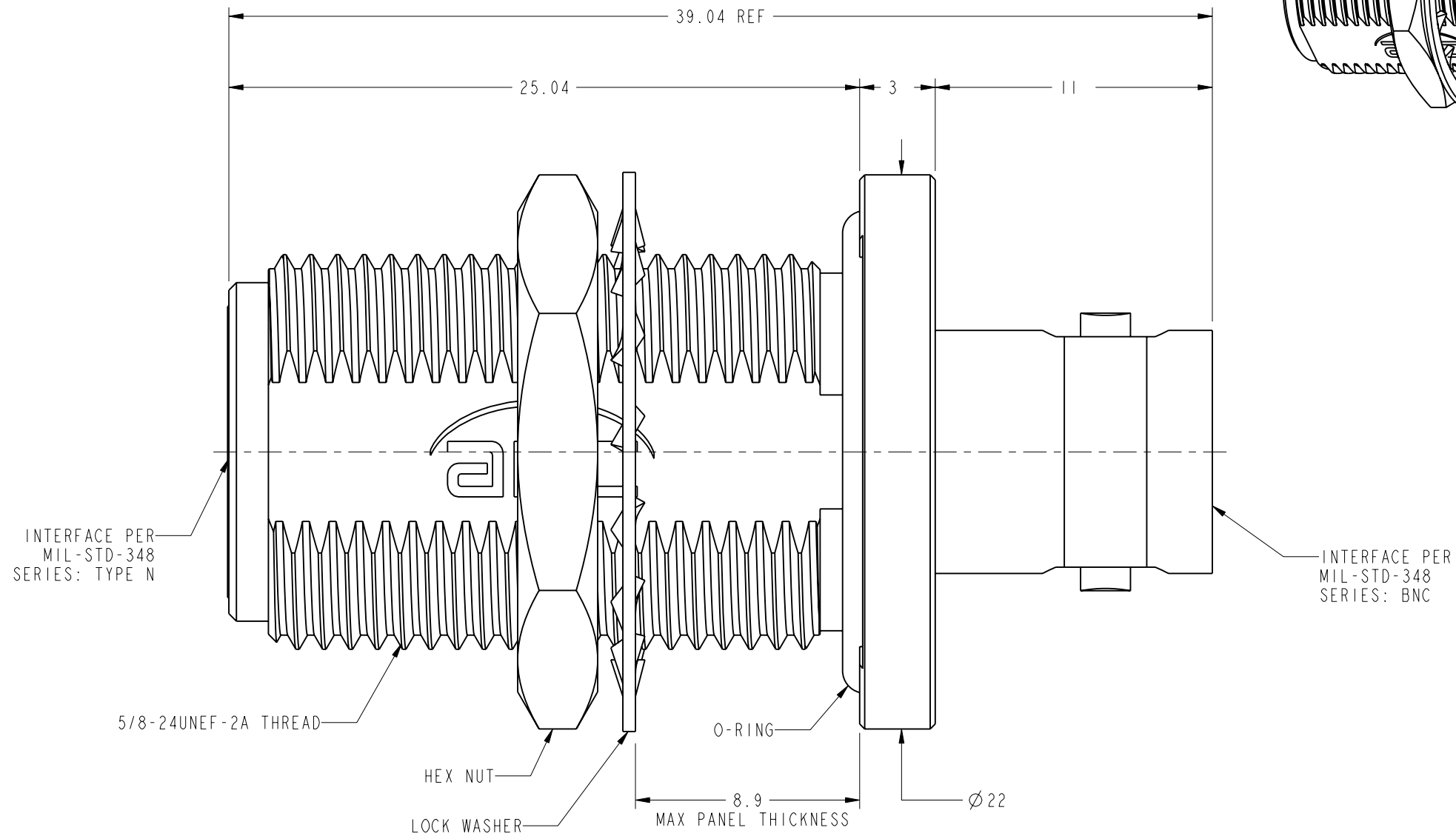
THIRD ANGLE PROJ.

REVISIONS

REV	DESCRIPTION	DATE	ECO	APPR
A	RELEASE TO MFG.	03-Jan-12	49148	TD
B	ADD ARC LOGO TO BODY\RD-DMI3082201J8	30-Aug-13	49619	RLB
C	NO CHANGE TO THIS SHEET	03-Jan-19	10127	KS



RECOMMENDED PANEL CUTOUT DIMENSIONS



CUSTOMER OUTLINE DRAWING
 ALL OTHER SHEETS ARE FOR INTERNAL USE ONLY

UNLESS OTHERWISE SPECIFIED, DIMENSIONS ARE IN METRIC AND TOLERANCES ARE:
 <0.5mm ±0.05mm 0.5 - 6mm ±0.1mm 6 - 30mm ±0.2mm 30 - 120mm ±0.3mm ANGLES ±1°

NOTICE - These drawings, specifications, or other data (1) are, and remain the property of Amphenol corp. (2) must be returned upon request; and (3) are confidential and not to be disclosed to any person other than those to whom they are given by Amphenol Corp. the furnishing of these drawings, specifications, or other data by Amphenol Corp., or to any other person to anyone for any purpose is not to be regarded by implication or otherwise in any manner licensing, granting rights to permitting such holder or any other sperson to manufacture, use or sell any product, process or design, patented or otherwise, that may in any way be related to or disclosed by said drawings, specifications, or other data.

MATERIAL SEE NOTES	DRAWN K. SONG	DATE 03-Jan-19
REFERENCE	ENGINEER D. DAVE	DATE 17-Jan-12
CONFIGURATION LEVEL:	APPROVED	DATE
FINISH	CAD FILE	

TITLE N BHD JACK TO BNC JACK 50 OHM ADAPTER, IP-67
SCALE: 4.5:1.0
DWG SIZE B

SHEET 2 OF 2	REV C
--------------	----------

Amphenol RF www.amphenolrf.com	
DRAWING NO.	82-6532
ITEM NO.	82-6532
PART NO.	82-6532