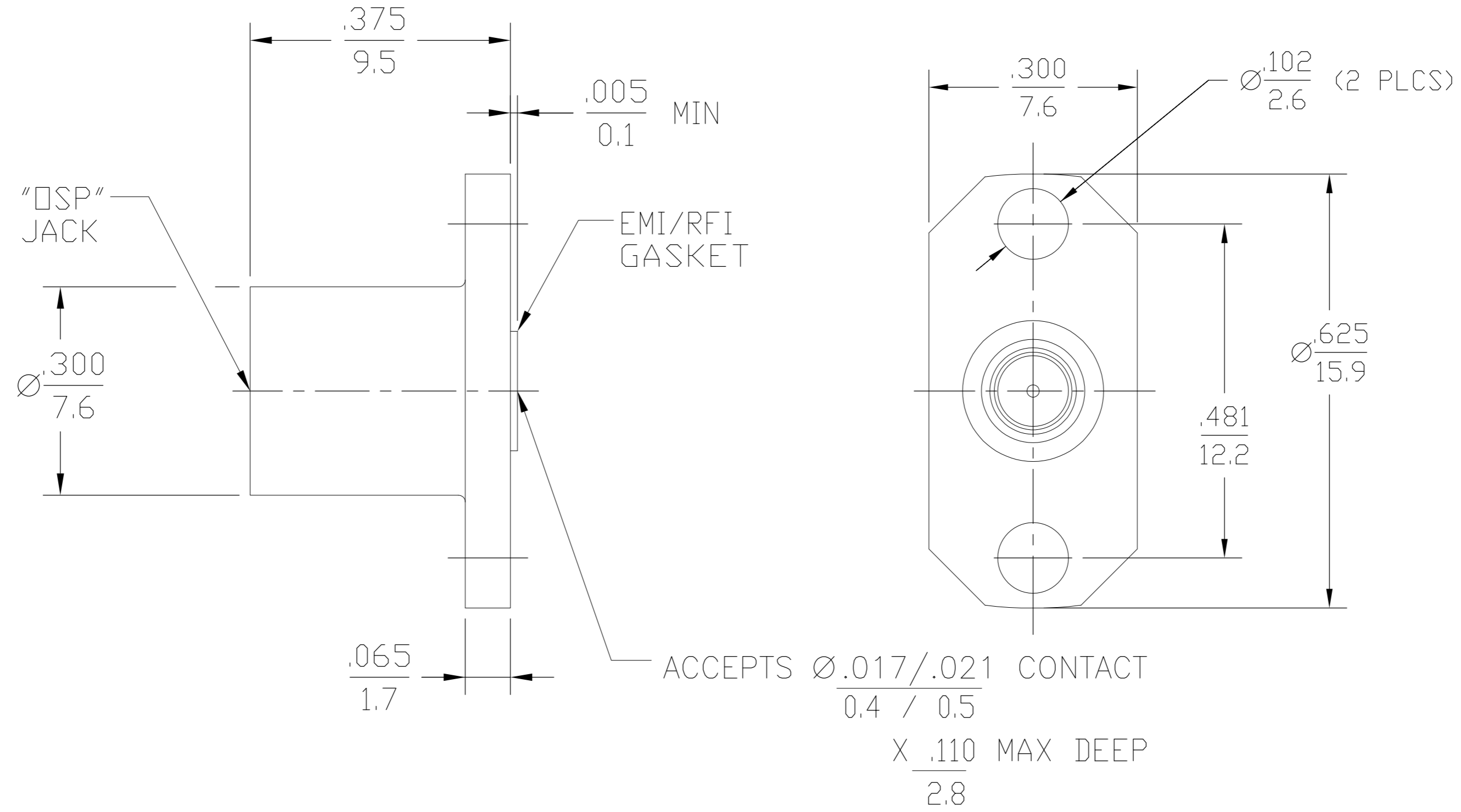


THIS DRAWING IS UNPUBLISHED. RELEASED FOR PUBLICATION  
 © COPYRIGHT BY TYCO ELECTRONICS CORPORATION. ALL RIGHTS RESERVED.

LOC	DIST	REVISIONS					
AJ	00	P	LTR	DESCRIPTION	DATE	DWN	APVD
		A		RELEASED	01AUG2007	DW	FB



HOUSING	STAINLESS STEEL	PASSIVATE
DIELECTRIC	PTFE FLUOROCARBON	N/A
CENTER CONTACT	BERYLLIUM COPPER	GOLD PLATE
CONTACT RING	BERYLLIUM COPPER	GOLD PLATE
EMI GASKET	CONDUCTIVE ELASTOMERS	N/A
COMPONENT	MATERIAL	FINISH

THIS DRAWING IS A CONTROLLED DOCUMENT.		DWN	27JUL2007	Tyco Electronics Corporation Harrisburg, PA 17105-3608	
DIMENSIONS: INCHES		CHK	30JUL2007	NAME	
TOLERANCES UNLESS OTHERWISE SPECIFIED:		APVD	30JUL2007	OSP 2 HOLE FLANGE MOUNT JACK RECEPTACLE-ACCEPTS .018±.001 DIA PIN	
0 PLC ± -		PRODUCT SPEC		SIZE	CAGE CODE
1 PLC ± -		APPLICATION SPEC		A2	00779
2 PLC ± -		WEIGHT		SCALE	DRAWING NO
3 PLC ± .005		FINISH		4:1	408-8292
4 PLC ± -				SHEET	1 OF 1
ANGLES ± 1°				REV	A
MATERIAL				RESTRICTED TO	
FINISH				-	
		CUSTOMER DRAWING			