

4

3

2

1

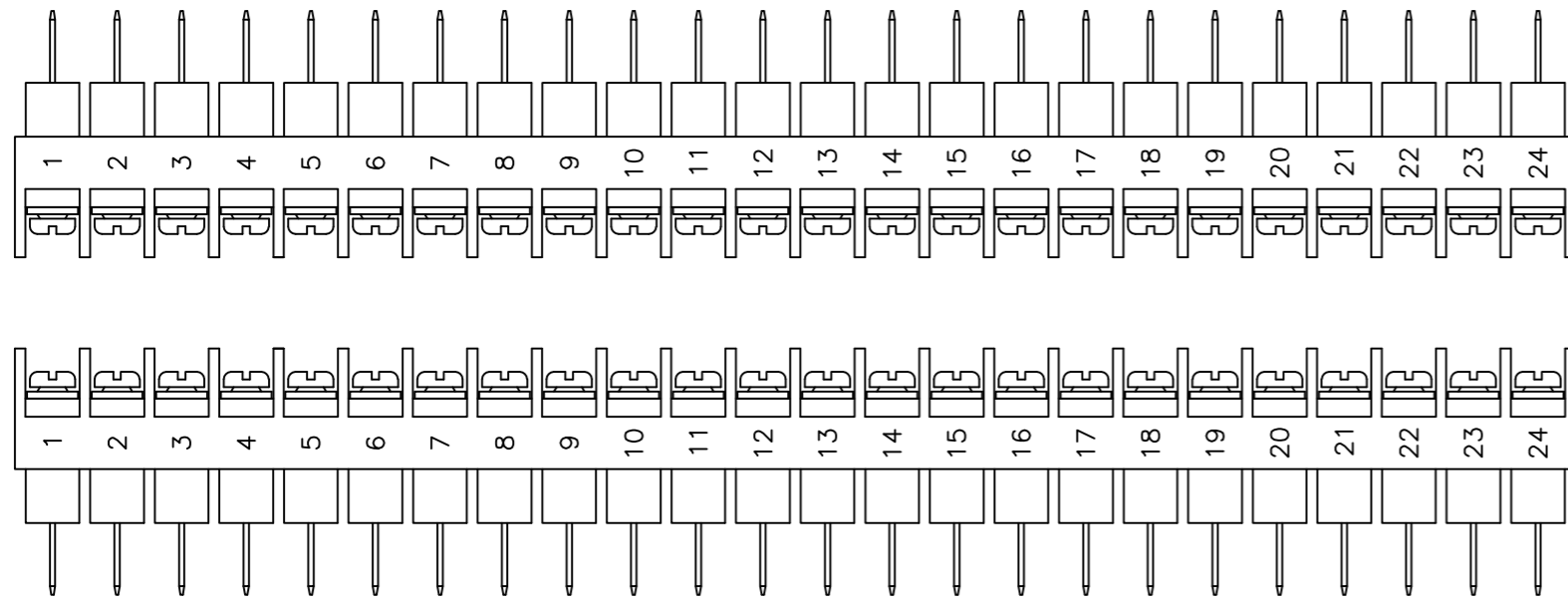
THIS DRAWING IS UNPUBLISHED.

RELEASED FOR PUBLICATION


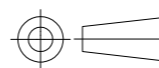
© COPYRIGHT - By -

ALL RIGHTS RESERVED.

LOC	DIST	REVISIONS					
		P	LTR	DESCRIPTION	DATE	DWN	APVD
	0	-		SEE SHEET 1	-	-	-



2-1776584-6

THIS DRAWING IS A CONTROLLED DOCUMENT.		DWN	S SCHLEGEL	8/2/05	 TE Connectivity		
DIMENSIONS: INCHES		CHK	S YODER	8/2/05			
		TOLERANCES UNLESS OTHERWISE SPECIFIED:		JC6-F408-XX ASSEMBLY			
		0 PLC ± - 1 PLC ± - 2 PLC ± .02 3 PLC ± .010 4 PLC ± - ANGLES ± -					APVD
MATERIAL		FINISH		PRODUCT SPEC			RESTRICTED TO
-		-		APPLICATION SPEC			SIZE
				WEIGHT			CAGE CODE
				CUSTOMER DRAWING			DRAWING NO
				SCALE			1:1
				SHEET			2 OF 2
				REV			C2
				DRAWING NO			A3 00779 C-1776584