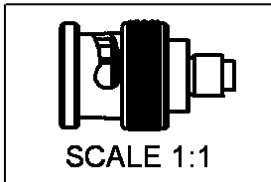
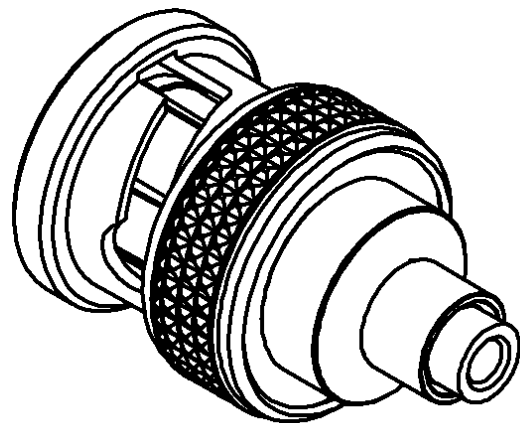
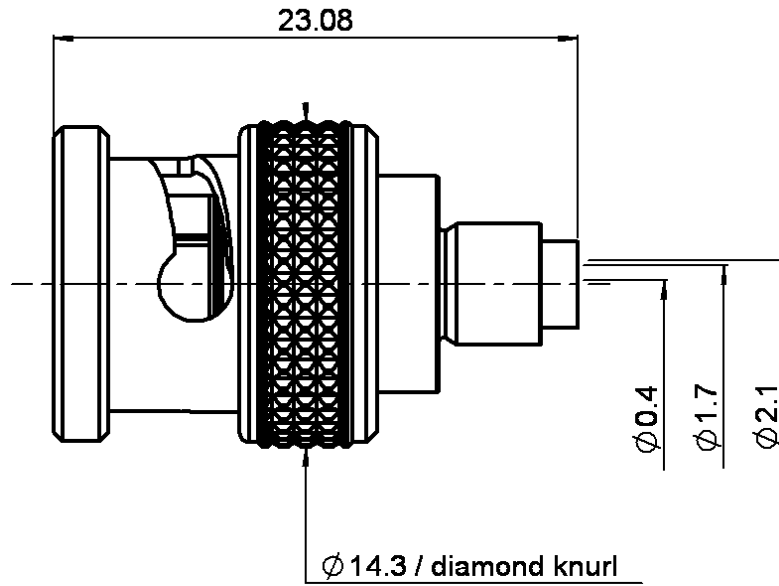


STRAIGHT PLUG INVERSED CRIMP TYPE

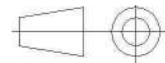
R141.070.520

CABLE 2/50

Series : **BNC**



All dimensions are in mm.



COMPONENTS	MATERIALS	PLATINGS (μm)
BODY	BRASS	NICKEL 2
CENTER CONTACT	BRASS	GOLD 0.5 OVER NICKEL 2
OUTER CONTACT	-	-
INSULATOR	PTFE	-
GASKET	SILICONE RUBBER	-
OTHERS PARTS	BRASS	NICKEL 2
-	-	-
-	-	-

Issue : 0823 A

In the effort to improve our products, we reserve the right to make changes judged to be necessary.



STRAIGHT PLUG INVERSED CRIMP TYPE

R141.070.520

CABLE 2/50

Series : **BNC**

PACKAGING

Standard	Unit	Other
100	'W' option	Contact us

SPECIFICATION

ELECTRICAL CHARACTERISTICS

Impedance		50 Ω
Frequency		0-1.2 GHz
VSWR	1.45 +	0,0000 x F(GHz) Maxi
Insertion loss		0.115 √F(GHz) dB Maxi
RF leakage	- (NA - F(GHz)) dB Maxi
Voltage rating		500 Veff Maxi
Dielectric withstanding voltage		1500 Veff mini
Insulation resistance		5000 MΩ mini

CABLE ASSEMBLY

Stripping	a	b	c	d	e	f
mm	3,00	10,0	0,00	0,00	5,00	1,50

Assembly instruction : **NA**

Recommended cable(s)
TYPE RG 178

Cable retention
- pull off **30** N mini
- torque **NA** N.cm

MECHANICAL CHARACTERISTICS

Center contact retention		
Axial force – Mating end	27	N mini
Axial force – Opposite end	27	N mini
Torque	NA	N.cm mini
Recommended torque		
Mating	NA	N.cm
Panel nut	NA	N.cm
Clamp nut	NA	N.cm
A/F clamp nut	0,0000	mm

TOOLING

Part Number	Description	Hexagon
.	.	.
R282.211.000	CRIMPING TOOL	4.52
R282.223.000	CRIMPING TOOL	1.73
R282.235.009	CRIMPING DIES M22520/5.09	1.73
R282.235.041	CRIMPING DIES M22520/5-41	4.52
R282.293.000	CRIMPING TOOL M22520/5-01	

Mating life	500	Cycles mini
Weight	9,8000	g

OTHERS CHARACTERISTICS

ENVIRONMENTAL

Operating temperature	-65/+165	° C
Hermetic seal	NA	Atm.cm3/s
Panel leakage	NA	

Issue : **0823 A**

In the effort to improve our products, we reserve the right to make changes judged to be necessary.

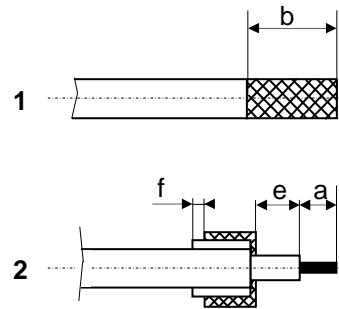
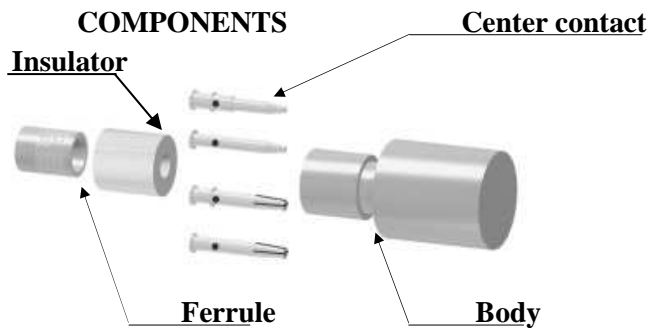


STRAIGHT PLUG INVERSED CRIMP TYPE

R141.070.520

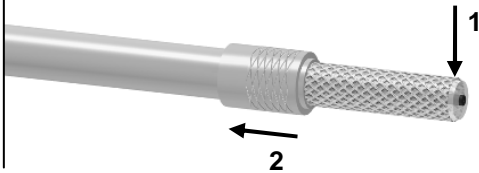
CABLE 2/50

Series : BNC



1

Strip the cable as shown in sketch 1.
Slide the ferrule until it bottoms against the sleeve.



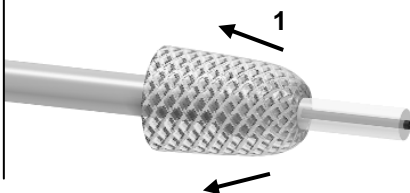
4

Slide the center contact on until it bottoms against the insulator back nut.
Solder or crimp the contact with crimping tool (see connector TDS)



2

Fold the braid back.
Trim off the extra braid as shown in sketch 2.



5

Mount the body onto the sub-assembly.



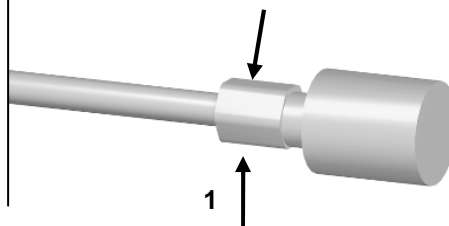
3

Trim the inner conductor as shown in sketch 2.
Slide insulator onto cable dielectric.



6

Crimp the body with crimping tool (see connector TDS).



Issue : 0823 A

In the effort to improve our products, we reserve the right to make changes judged to be necessary.

