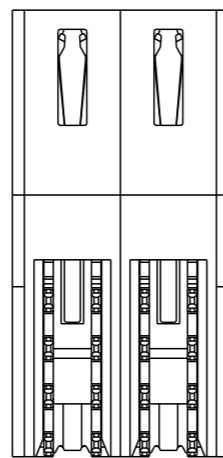
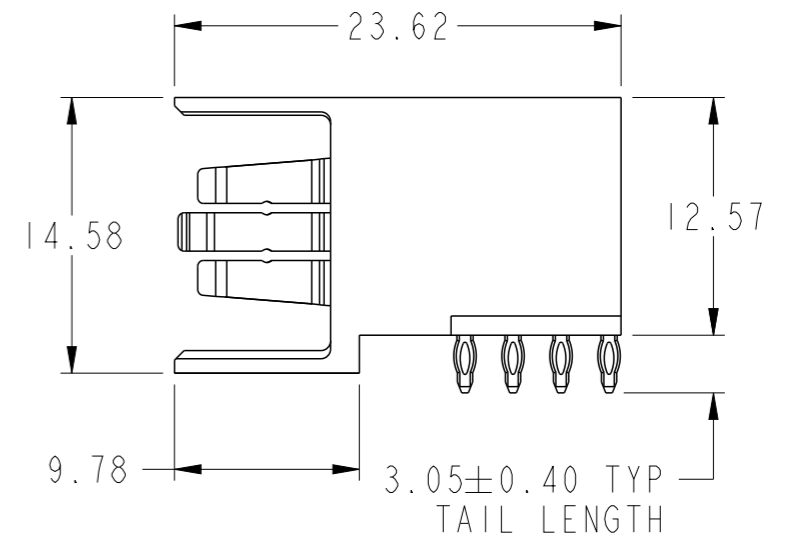
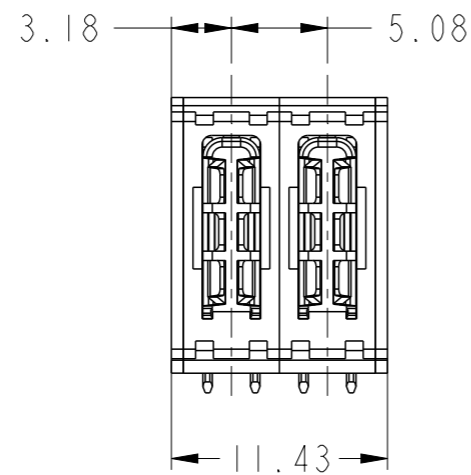
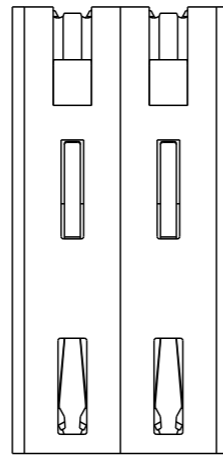


PRODUCT NUMBER SEE SHEET 2



spec ref	*	dr	Rainbow Zhan	2014/09/22	projection	MM	size	A3	scale	3:2													
tolerance std	ASME Y14.5	eng	Rainbow Zhan	2014/09/28			ecn no	-	rel level	Released													
TOLERANCES UNLESS OTHERWISE SPECIFIED		chr	Li-He	2014/09/28			product family	PwrBlade+															
surface	✓	appr	Pei-Ming Zheng	2014/09/28			dwg no	10106133-2000005	rev	A													
ASME Y14.5	linear	<table border="1"> <tr><td>0.X</td><td>±0.5</td></tr> <tr><td>0.XX</td><td>±0.25</td></tr> <tr><td>0.XXX</td><td>±0.10</td></tr> </table>		0.X	±0.5	0.XX	±0.25	0.XXX	±0.10	<table border="1"> <tr><td>0°</td><td>±2°</td></tr> </table>		0°	±2°	<table border="1"> <tr><td>www.fci.com</td></tr> </table>	www.fci.com	<table border="1"> <tr><td>cat. no.</td></tr> </table>		cat. no.	<table border="1"> <tr><td>Product - Customer Drw</td></tr> </table>		Product - Customer Drw	<table border="1"> <tr><td>sheet 1 of 3</td></tr> </table>	sheet 1 of 3
0.X	±0.5																						
0.XX	±0.25																						
0.XXX	±0.10																						
0°	±2°																						
www.fci.com																							
cat. no.																							
Product - Customer Drw																							
sheet 1 of 3																							



Copyright FCI.

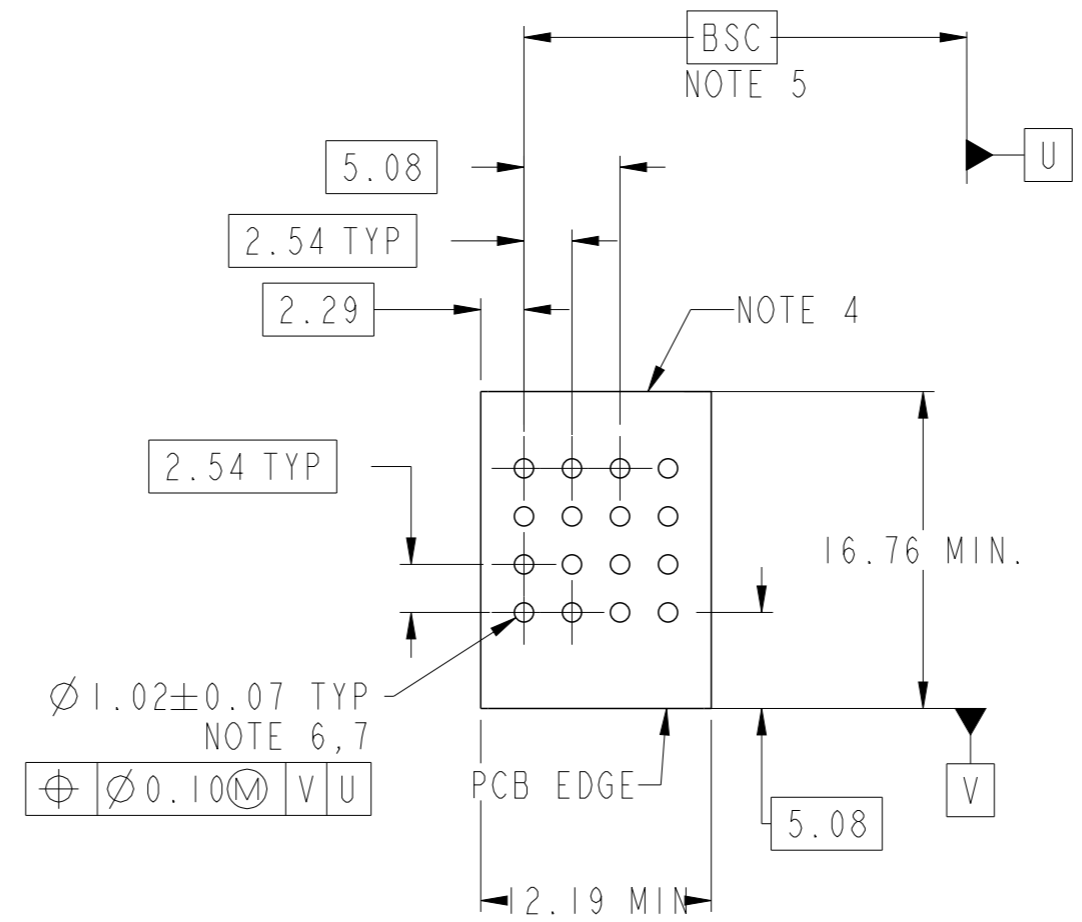
1

2

3

4

PRODUCT NO.	ROWS	HP			
		E1	P1	P2	E2
10106133-2000005LF	D C B A	HE HE			



Copyright FCI.

CODE	DESCRIPTION
HE	STD HIGH POWER CONTACT (3.05)

dr	Rainbow Zhan	2014/09/22	projection	MM	size	A3	scale	3:2
eng	Rainbow Zhan	2014/09/28			ecn no			
chr	Li-He	2014/09/28			-			
appr	Pei-Ming Zheng	2014/09/28	product family	PwrBlade+	rel level		Released	
			title 2HDP RA PF HEADER		dwg no 10106133-2000005		rev A	
www.fci.com			cat. no.		Product - Customer Drw		sheet 2 of 3	

1

2

3

PDS: Rev :A

STATUS:Released

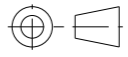
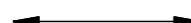

Printed: Sep 29, 2014

NOTES:

- 1) "FCI", PART NUMBER AND DATE CODE TO BE MARKED ON THIS SURFACE.  
THE MARK CAN BE OMITTED IF THERE IS NOT ENOUGH SPACE ON THIS SURFACE.
- 2) MATERIALS:  
-HOUSING - GLASS FILLED WITH HIGH TEMP THERMOPLASTIC, UL94V-0.  
-SIGNAL CONTACT - COPPER ALLOY.  
-POWER CONTACT - HIGH CONDUCTIVITY COPPER ALLOY.
- 3) PLATING SPECIFICATION REFER TO FCI 10116351
- 4) DENOTES CONNECTOR KEEP OUT ZONE.
- 5) DATUM AND BASIC DIMENSIONS WERE ESTABLISHED BY CUSTOMER.
- 6) ALL HOLE DIAMETERS ARE FINISHED HOLE SIZES.
- 7)  $1.15 \pm 0.025$ MM DRILLED HOLE PLATED WITH 0.00762MM MIN Sn  
OVER 0.0254-0.0762MM Cu PLATING TO ACHIEVE A  $1.02 \pm 0.07$ MM HOLE.
- 8) PRODUCT SPECIFICATION REFER TO FCI GS-12-658.  
APPLICATION SPECIFICATION REFER TO FCI GS-20-141.  
PRODUCT PACKAGED IN TRAYS, REFER TO FCI GS-14-1502.



Copyright FCI.

dr	Rainbow Zhan	2014/09/22	projection 	MM 	size	A3	scale	3:2
eng	Rainbow Zhan	2014/09/28			ecn no	-		
chr	Li-He	2014/09/28			rel level	Released		
appr	Pei-Ming Zheng	2014/09/28	product family	PwrBlade+				
		title 2HDP RA PF HEADER		dwg no 10106133-2000005	rev A			
<a href="http://www.fci.com">www.fci.com</a>		cat. no.	Product - Customer Drw		sheet 3 of 3			