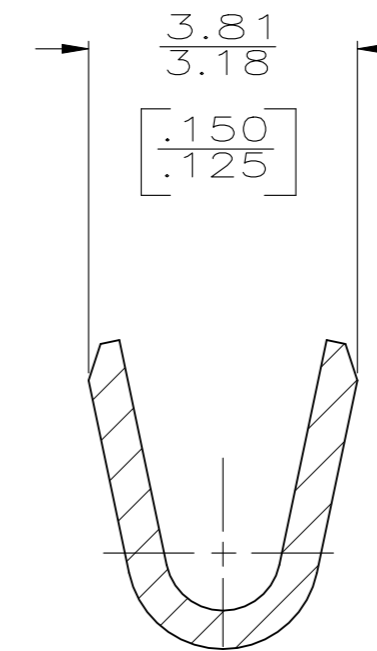
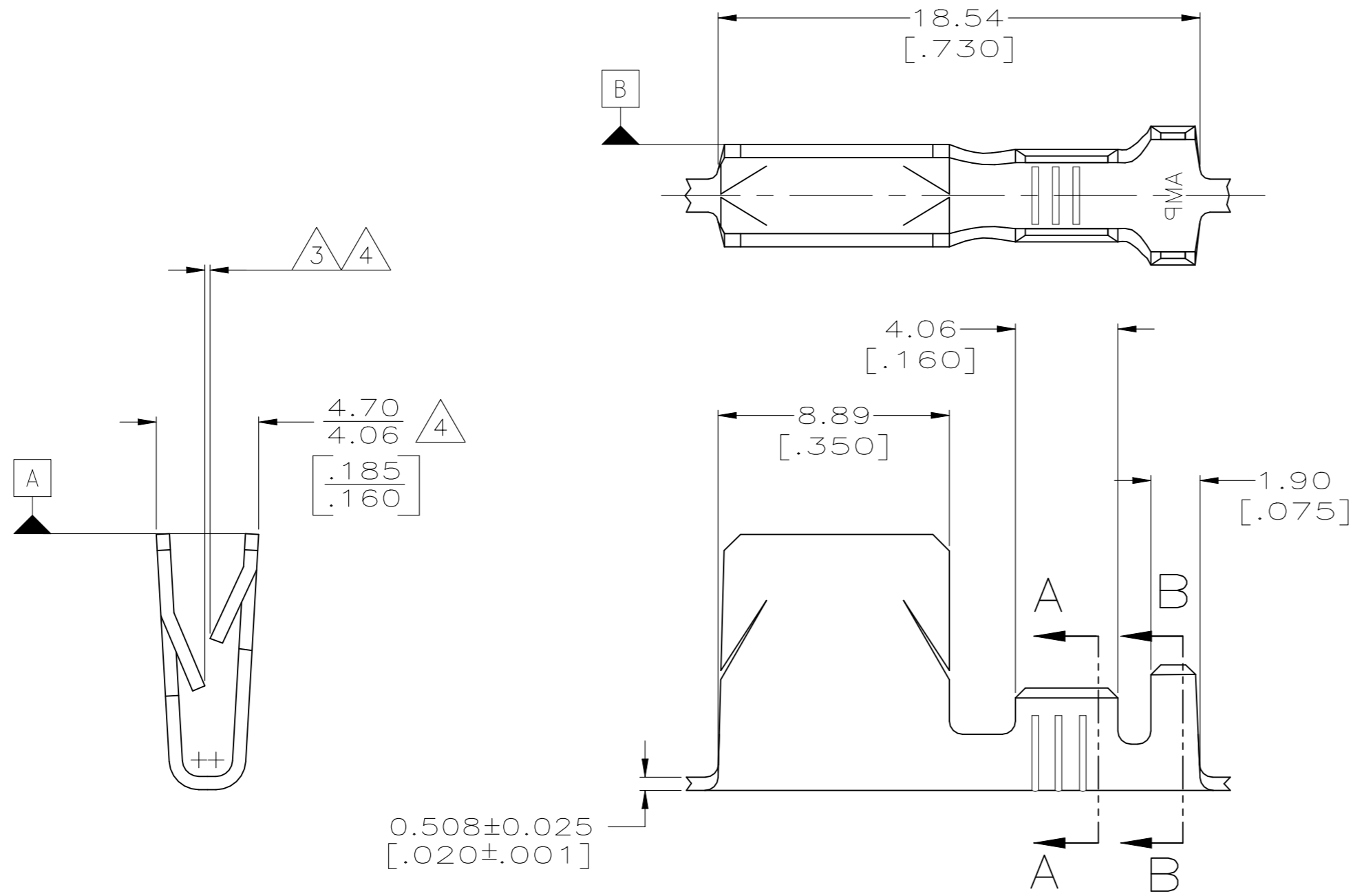
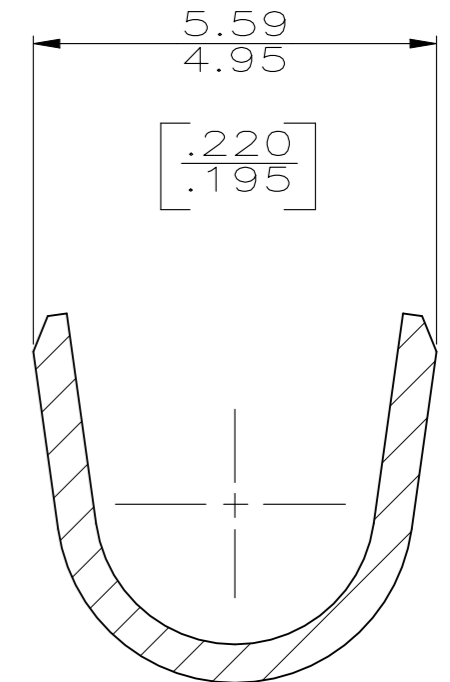


P	LTR	DESCRIPTION	DATE	DWN	APVD
G		REVISED PER ECR-21-100095	09FEB2021	BDA	DH

- 1 CONTINUOUS STRIP ON REEL.
- 2 ACCOMODATES A PANEL THICKNESS RANGE FROM 1.19 [.047] TO 1.45 [.057].
- 3 0.76/0.25 [.030/.010] GAP BETWEEN TINES.
- 4 REST PART ON DATUM A THEN ALIGN TO DATUM PLANE B FOR THIS MEASUREMENT.



SECTION A-A
SCALE 10:1



SECTION B-B
SCALE 10:1

1217012

B

A

1217012-1
PART NO.

THIS DRAWING IS A CONTROLLED DOCUMENT.		DWN MICHAEL S. FEHER 19JAN2005	STE TE Connectivity		
DIMENSIONS: MM [INCHES]		CHK EDWARD HOWARD 19JAN2005			
TOLERANCES UNLESS OTHERWISE SPECIFIED:		APVD EDWARD HOWARD 19JAN2005	NAME - GROUNDING CLIP -		
0 PLC ± - 1 PLC ± - 2 PLC ± 0.25 [.010] 3 PLC ± - 4 PLC ± - ANGLES ± -		PRODUCT SPEC -	SIZE A2	CAGE CODE 00779	DRAWING NO C=1217012
MATERIAL 1/4 HARD STAINLESS STEEL		FINISH -	WEIGHT 0.000000	SCALE 5:1	SHEET 1 of 1
CUSTOMER DRAWING			RESTRICTED TO -	REV G	