



ESP-AUTO-T

Universal Voltage Quartz Restrike System

Intelligent Device
ECOSYSTEM
Classic

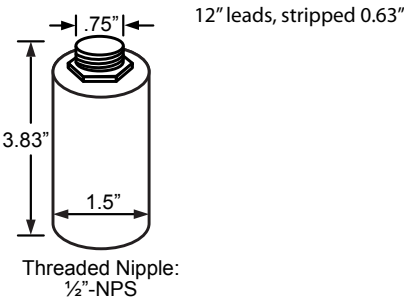
Features

The ESP-AUTO-T is a universal voltage (120-277V) control that incorporates a current sense circuit that automatically lights a quartz lamp when the main HID lamp is extinguished. It has a built-in timer to keep the quartz lamp on for 2-3 minutes during the HID lamp warm-up period.

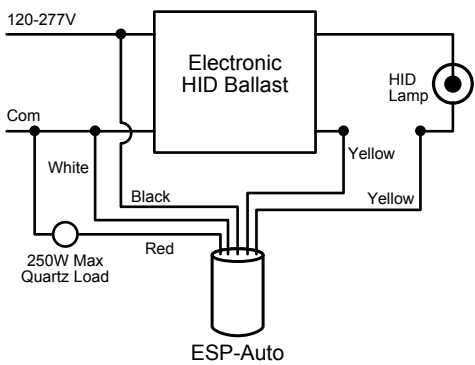
- For or electronic ballast from 120V-277V Universal Voltage Input (Not for use with magnetic ballasts)
- Compact and simple to wire
- Measures the current drawn by the HID lamp circuit rather than output voltage across the circuit allowing use with virtually any type of lamp or ballast circuit
- Operates on HID circuits from 39-450 watts
- Operates auxiliary lamps up to 250W
- High temperature, flameproof plastic enclosure, 90°C maximum surface temp rating
- Non-arcing switches allow the ESP-AUTO-T to be used in Class 1, Division II vapor tight fixtures
- Can be wired directly to emergency generator power
- Timed Version (-T) keeps Quartz Lamp illuminated for 2-3 minutes until HID lamp reaches 25-50% brightness
- Not to be used to drive a Fluorescent standby source, use ASP-AUTO-T for that application
- Patents Pending
- Quartz lamp is operated @ 120V for any line-voltage input; 120 through 277V



Dimensions



Wiring



★ **MADE IN USA** ★
Of Imported And Domestic Components

© 2017 Thomas Research Products. Specifications subject to change without notice.

