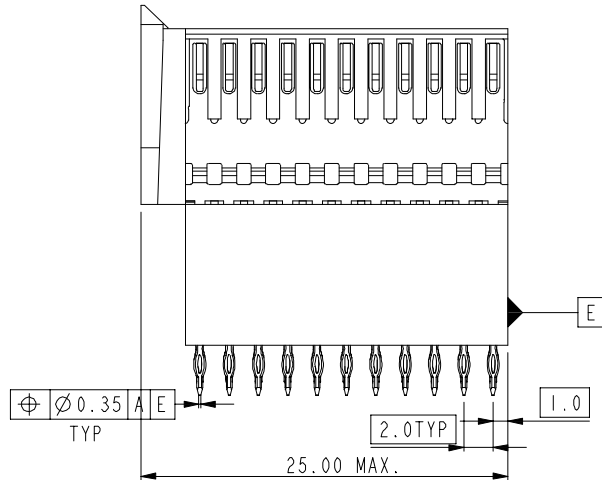
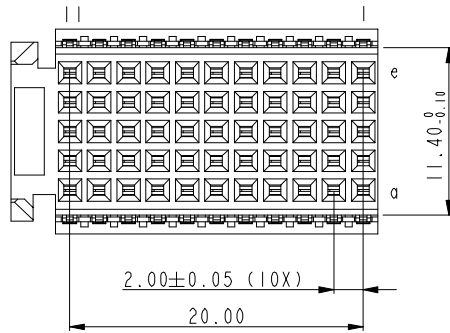
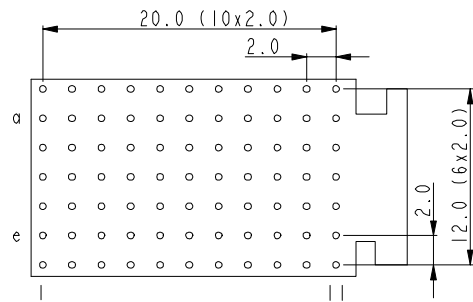




Copyright FCI.

LAY-OUT
P.C.B. - HOLE
(MOUNTING SIDE)

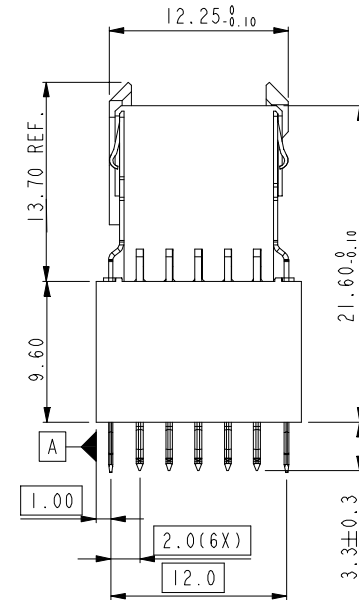


PERFORMANCE CHARACTERISTICS

CURRENT RATING: 1.5A AT 20°C (FULLY LOADED)
1 A AT 70°C (FULLY LOADED)

RATED VOLTAGE: 500 V AC (CONT/CONT)
OPERATING TEMPERATURE: -55°C TO 125°C
CONTACT RESISTANCE: 20mΩ MAX.
INSERTION FORCE: 0.75 N MAX / CONT
EXTRACTION FORCE: 0.15 N MIN / CONT
INSULATION RESISTANCE: 10⁴ mΩ MIN

- NOTE 1. PERFORMANCE LEVEL INDICATION Z1: PL3
N9: PL2
E9: PL1
- NOTE 2. COLUMN 1 OF CONNECTOR SHOULD COINCIDE WITH COLUMN 1 OF PCB.
- NOTE 3. RECOMMEND PTH SIZE PLEASE REFER TO DRAWING BSA 201572 001.
- NOTE 4. HM2S30PE5INI--LF, "--" INDICATION PERFORMANCE LEVEL.



rev	ecn no	dr	date
01	-	CLU	122506
02	-	CLU	011507
A	DG07-0278	CLU	062807
B	DG10-0110	NZ	2010.9.3
-	-	-	-
-	-	-	-
-	-	-	-

www.fciconnect.com			surface <input checked="" type="checkbox"/>	tolerance std	projection	MM
			TOLERANCES UNLESS OTHERWISE SPECIFIED			
Dr	Collins Lu	121106	ANGULAR	0.X ± 0.3	size	Scale 1.000
Eng	Collins Lu	121106	LINEAR	0.XX ± 0.13	A4	
Chr	Beer Fu	121206	0° ±*	0.XXX ± 0.051	ECN	
Appr	Joseph Hsia	121206	Product family		Spec ref	
			title		dtg no	Rev.
			MILLIPACS 2 / TYPE C SHIELDED		BSC201908001	B
			Millipacs mezzanine			
			catalog no	HM2S30PE5INI--LF	Customer	sheet 1 of 1