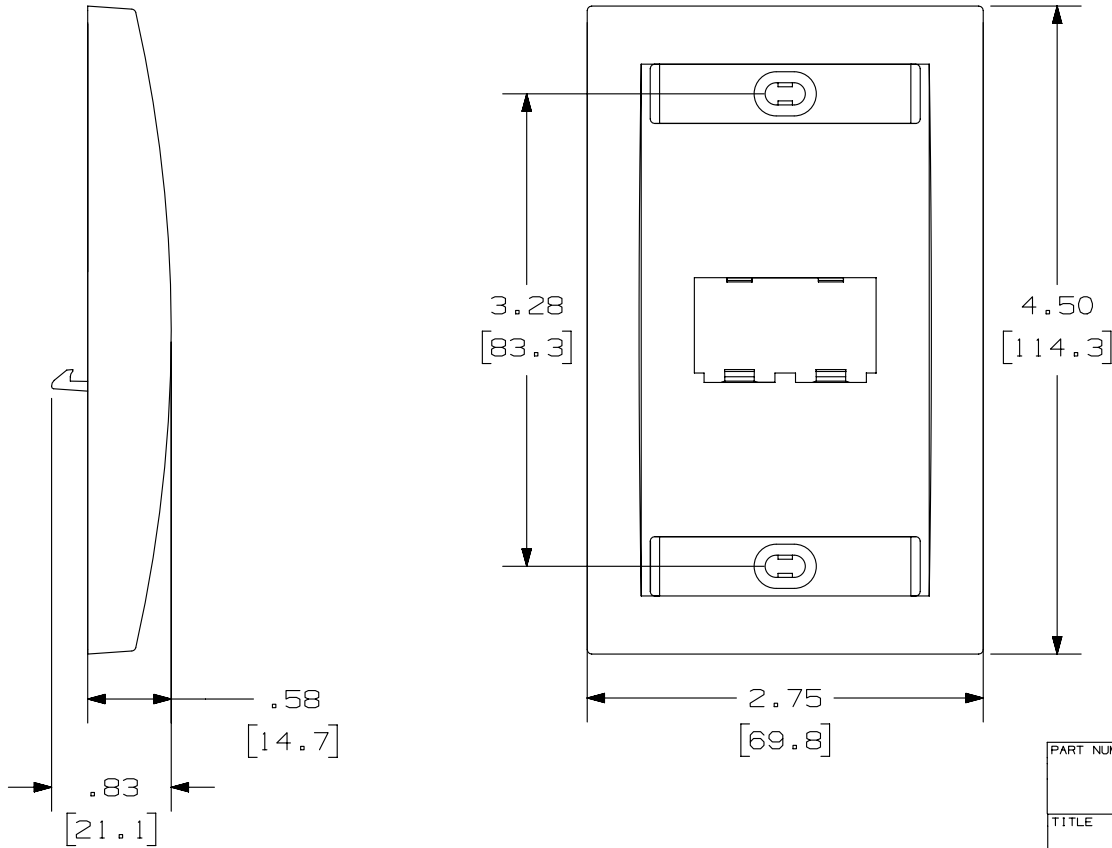


THIS COPY IS PROVIDED ON A RESTRICTED BASIS AND IS NOT TO BE USED IN ANY WAY DETRIMENTAL TO THE INTERESTS OF PANDUIT CORP.

PANDUIT P/N	WEIGHT
CFPE2**Y	.72 LB/10 PCS (326.6 g/10 PCS)

NOTES:

- SEE CURRENT CATALOG FOR ADDITIONAL PART NUMBER SUFFIXES TO INDICATE COLOR AND OR PACKAGE QUANTITY.
- SEE CATALOG FOR COMPLETE LIST OF PARTS APPLICABLE FOR USE WITH THIS PART.
- DIMENSIONS IN [ ] ARE IN METRIC.
- PART INCLUDES:  
1- FACEPLATE  
2- LABEL  
2- LABEL COVER  
2- MOUNTING SCREW



PART NUMBER		CFPE2**Y	
TITLE			
MINI-COM 2 POSITION EXECUTIVE SERIES FACEPALTE			
CUSTOMER DRAWING			
ITEM REVISION NAME		M02479EK/00	
DATASET FILE NAME		M02479EK_DC117/00B	
UNLESS OTHERWISE SPECIFIED, DIMENSIONAL TOLERANCES ARE: IN [mm]		MATERIAL:	
.x ± .xx ± .03 [.8]		ABS	
.xxx ± .010 [.3] ANGLES ±		DRAWING NUMBER:	
THIRD ANGLE PROJECTION		02479-117	
DRAWN BY	DATE	CHK	SCALE
JSP	4-26-06	MJD	NONE
SHT 1 OF 1		SIZE	
A		A	

REV	DATE	BY	CHK	APR	DESCRIPTION	ECN
1	3/11/14	JSP	REFR	MMR	A. REVISED DRAWING TITLE BLOCK.	02479-117
R	4-26-06	JSP	MJD	MJD	RELEASED TO PRODUCTION	02479-117

D10100DA/14