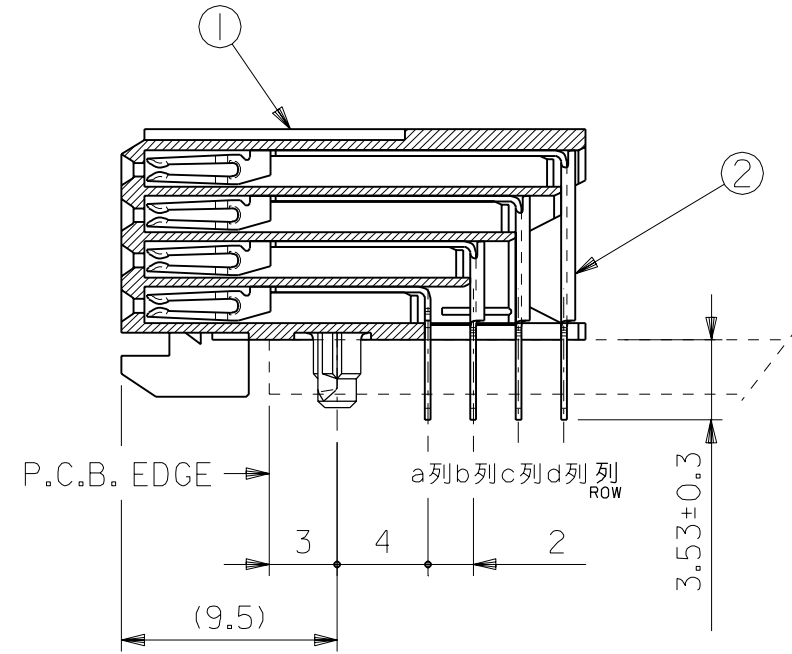
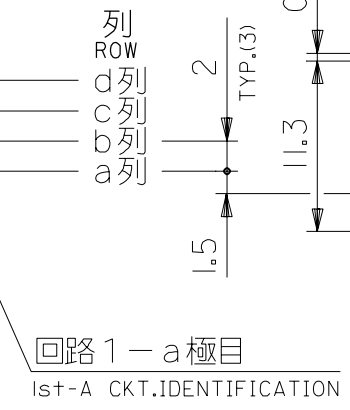
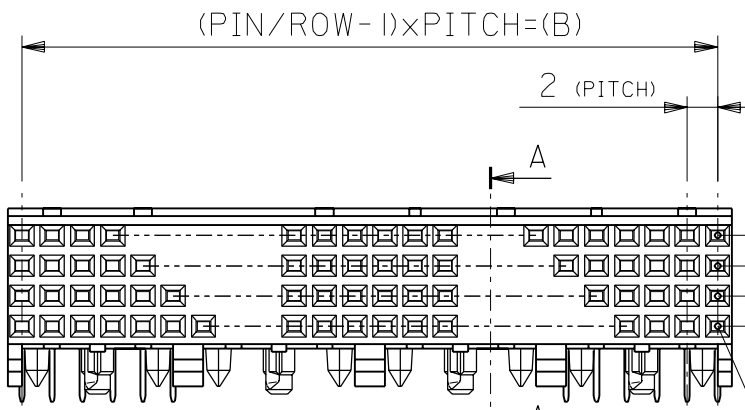
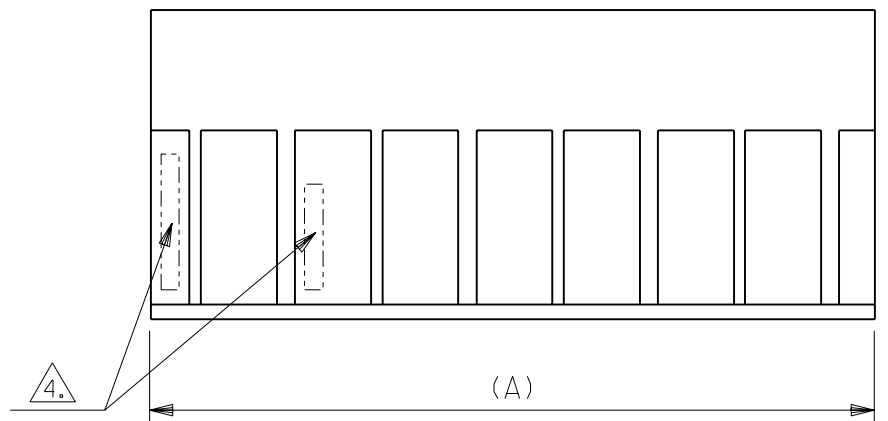


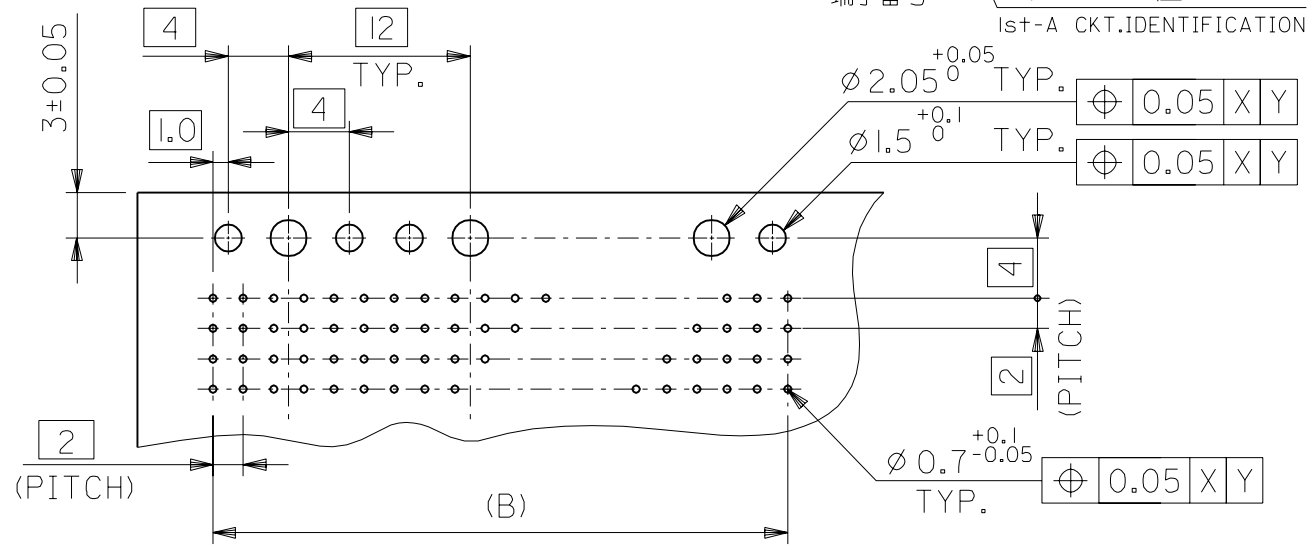
番号 No.	部品 PART NAME	材質 MATERIAL	仕上げ FINISH
①	リセプタクル ハウジング RECEPTACLE HOUSING	液晶ポリマー、ガラス充填、自然色(白)、UL94V-0 LIQUID CRYSTAL POLYMER, GLASS FILLED, NATURAL(WHITE), UL94V-0	— # —
②	リセプタクル ターミナル RECEPTACLE TERMINAL	リン青銅 PHOSPHOR BRONZE	△1.



A-A
(NON-SCALE)

- 注記
NOTE :
- △1. ターミナル めっき仕様
TERMINAL PLATING
 金めっき: 0.76 μm MIN. (接点部)
 GOLD: 0.76 μm MIN. (CONTACT AREA)
 半田めっき: 1.0 μm MIN. (半田付け部)
 TIN-LEAD: 1.0 μm MIN. (SOLDER AREA)
 ニッケルメッキ: 2.0 μm MIN. (下地めっき)
 NICKEL: 2.0 μm MIN. (UNDER PLATING)
 - 推奨基板厚: t=2.4mm
RECOMMENDED P.C.B. THICKNESS :
 - 適合プラグ: 53901-***5, 55222-***5, 55089-***5
APPLICABLE PLUG :
 - △4. 製品番号及びロットナンバー
MATERIAL NO. & LOT NO.

94	95.98	54867-1921	192
46	47.98	54867-0961	96
22	23.98	54867-0481	48
10	11.98	54867-0241	24
B	A	MATERIAL NO.	PIN



基板穴推奨寸法 (部品実装)

RECOMMENDED P.C.B. LAYOUT (COMPONENT SIDE)

DRAWING INFORMATION				MATERIAL		GENERAL TOLERANCES:		SCALE		DESIGN UNITS		TITLE		DIMENSIONS:		SHT		REV	
NO.	DRWN:	CHK:	APPR:	材	料	10 UNDER	±0.2	2-1	mm	mm	mm	"MFB" B/B CONN. (FB+)		mm	INCH	INCH	mm	mm	ON
8	DRWN: S.HOSHIKAWA '00/09/04	CHK: A.NODA	APPR: H.IKESUGI	— # —	FINISH	10 OVER	±0.25	30 UNDER	mm <td>mm <td>mm <td colspan="2">REC. ASS'Y</td> <td>mm <td>mm <td>mm <td>mm <td>mm <td>CAD ONLY</td> </td></td></td></td></td></td></td>	mm <td>mm <td colspan="2">REC. ASS'Y</td> <td>mm <td>mm <td>mm <td>mm <td>mm <td>CAD ONLY</td> </td></td></td></td></td></td>	mm <td colspan="2">REC. ASS'Y</td> <td>mm <td>mm <td>mm <td>mm <td>mm <td>CAD ONLY</td> </td></td></td></td></td>	REC. ASS'Y		mm <td>mm <td>mm <td>mm <td>mm <td>CAD ONLY</td> </td></td></td></td>	mm <td>mm <td>mm <td>mm <td>CAD ONLY</td> </td></td></td>	mm <td>mm <td>mm <td>CAD ONLY</td> </td></td>	mm <td>mm <td>CAD ONLY</td> </td>	mm <td>CAD ONLY</td>	CAD ONLY
7	DRWN: S.HOSHIKAWA '00/09/04	CHK: A.NODA	APPR: H.IKESUGI	— # —	仕上げ	30 OVER	±0.3	以上	mm <td>mm <td>mm <td colspan="2">4ROWS DIP</td> <td>mm <td>mm <td>mm <td>mm <td>mm <td>ON</td> </td></td></td></td></td></td></td>	mm <td>mm <td colspan="2">4ROWS DIP</td> <td>mm <td>mm <td>mm <td>mm <td>mm <td>ON</td> </td></td></td></td></td></td>	mm <td colspan="2">4ROWS DIP</td> <td>mm <td>mm <td>mm <td>mm <td>mm <td>ON</td> </td></td></td></td></td>	4ROWS DIP		mm <td>mm <td>mm <td>mm <td>mm <td>ON</td> </td></td></td></td>	mm <td>mm <td>mm <td>mm <td>ON</td> </td></td></td>	mm <td>mm <td>mm <td>ON</td> </td></td>	mm <td>mm <td>ON</td> </td>	mm <td>ON</td>	ON
6	DRWN: S.HOSHIKAWA '00/09/04	CHK: A.NODA	APPR: H.IKESUGI	— # —	適用電線範囲	ANGLE	±3°	角度	mm <td>mm <td>mm <td colspan="2">MOLEX INCORPORATED</td> <td>mm <td>mm <td>mm <td>mm <td>mm <td>CAD ONLY</td> </td></td></td></td></td></td></td>	mm <td>mm <td colspan="2">MOLEX INCORPORATED</td> <td>mm <td>mm <td>mm <td>mm <td>mm <td>CAD ONLY</td> </td></td></td></td></td></td>	mm <td colspan="2">MOLEX INCORPORATED</td> <td>mm <td>mm <td>mm <td>mm <td>mm <td>CAD ONLY</td> </td></td></td></td></td>	MOLEX INCORPORATED		mm <td>mm <td>mm <td>mm <td>mm <td>CAD ONLY</td> </td></td></td></td>	mm <td>mm <td>mm <td>mm <td>CAD ONLY</td> </td></td></td>	mm <td>mm <td>mm <td>CAD ONLY</td> </td></td>	mm <td>mm <td>CAD ONLY</td> </td>	mm <td>CAD ONLY</td>	CAD ONLY
5	DRWN: S.HOSHIKAWA '00/09/04	CHK: A.NODA	APPR: H.IKESUGI	— # —	被覆外径				mm <td>mm <td>mm <td colspan="2">SEE TABLE</td> <td>mm <td>mm <td>mm <td>mm <td>mm <td>CAD ONLY</td> </td></td></td></td></td></td></td>	mm <td>mm <td colspan="2">SEE TABLE</td> <td>mm <td>mm <td>mm <td>mm <td>mm <td>CAD ONLY</td> </td></td></td></td></td></td>	mm <td colspan="2">SEE TABLE</td> <td>mm <td>mm <td>mm <td>mm <td>mm <td>CAD ONLY</td> </td></td></td></td></td>	SEE TABLE		mm <td>mm <td>mm <td>mm <td>mm <td>CAD ONLY</td> </td></td></td></td>	mm <td>mm <td>mm <td>mm <td>CAD ONLY</td> </td></td></td>	mm <td>mm <td>mm <td>CAD ONLY</td> </td></td>	mm <td>mm <td>CAD ONLY</td> </td>	mm <td>CAD ONLY</td>	CAD ONLY
4	DRWN: S.HOSHIKAWA '00/09/04	CHK: A.NODA	APPR: H.IKESUGI	— # —					mm <td>mm <td>mm <td colspan="2">SD-54867-003.S01</td> <td>mm <td>mm <td>mm <td>mm <td>mm <td>CAD ONLY</td> </td></td></td></td></td></td></td>	mm <td>mm <td colspan="2">SD-54867-003.S01</td> <td>mm <td>mm <td>mm <td>mm <td>mm <td>CAD ONLY</td> </td></td></td></td></td></td>	mm <td colspan="2">SD-54867-003.S01</td> <td>mm <td>mm <td>mm <td>mm <td>mm <td>CAD ONLY</td> </td></td></td></td></td>	SD-54867-003.S01		mm <td>mm <td>mm <td>mm <td>mm <td>CAD ONLY</td> </td></td></td></td>	mm <td>mm <td>mm <td>mm <td>CAD ONLY</td> </td></td></td>	mm <td>mm <td>mm <td>CAD ONLY</td> </td></td>	mm <td>mm <td>CAD ONLY</td> </td>	mm <td>CAD ONLY</td>	CAD ONLY
3	DRWN: S.HOSHIKAWA '00/09/04	CHK: A.NODA	APPR: H.IKESUGI	— # —					mm <td>mm <td>mm <td colspan="2">SD-54867-003</td> <td>mm <td>mm <td>mm <td>mm <td>mm <td>CAD ONLY</td> </td></td></td></td></td></td></td>	mm <td>mm <td colspan="2">SD-54867-003</td> <td>mm <td>mm <td>mm <td>mm <td>mm <td>CAD ONLY</td> </td></td></td></td></td></td>	mm <td colspan="2">SD-54867-003</td> <td>mm <td>mm <td>mm <td>mm <td>mm <td>CAD ONLY</td> </td></td></td></td></td>	SD-54867-003		mm <td>mm <td>mm <td>mm <td>mm <td>CAD ONLY</td> </td></td></td></td>	mm <td>mm <td>mm <td>mm <td>CAD ONLY</td> </td></td></td>	mm <td>mm <td>mm <td>CAD ONLY</td> </td></td>	mm <td>mm <td>CAD ONLY</td> </td>	mm <td>CAD ONLY</td>	CAD ONLY
2	DRWN: S.HOSHIKAWA '00/09/04	CHK: A.NODA	APPR: H.IKESUGI	— # —					mm <td>mm <td>mm <td colspan="2">SD-54867-003</td> <td>mm <td>mm <td>mm <td>mm <td>mm <td>CAD ONLY</td> </td></td></td></td></td></td></td>	mm <td>mm <td colspan="2">SD-54867-003</td> <td>mm <td>mm <td>mm <td>mm <td>mm <td>CAD ONLY</td> </td></td></td></td></td></td>	mm <td colspan="2">SD-54867-003</td> <td>mm <td>mm <td>mm <td>mm <td>mm <td>CAD ONLY</td> </td></td></td></td></td>	SD-54867-003		mm <td>mm <td>mm <td>mm <td>mm <td>CAD ONLY</td> </td></td></td></td>	mm <td>mm <td>mm <td>mm <td>CAD ONLY</td> </td></td></td>	mm <td>mm <td>mm <td>CAD ONLY</td> </td></td>	mm <td>mm <td>CAD ONLY</td> </td>	mm <td>CAD ONLY</td>	CAD ONLY
1	DRWN: S.HOSHIKAWA '00/09/04	CHK: A.NODA	APPR: H.IKESUGI	— # —					mm <td>mm <td>mm <td colspan="2">SD-54867-003</td> <td>mm <td>mm <td>mm <td>mm <td>mm <td>CAD ONLY</td> </td></td></td></td></td></td></td>	mm <td>mm <td colspan="2">SD-54867-003</td> <td>mm <td>mm <td>mm <td>mm <td>mm <td>CAD ONLY</td> </td></td></td></td></td></td>	mm <td colspan="2">SD-54867-003</td> <td>mm <td>mm <td>mm <td>mm <td>mm <td>CAD ONLY</td> </td></td></td></td></td>	SD-54867-003		mm <td>mm <td>mm <td>mm <td>mm <td>CAD ONLY</td> </td></td></td></td>	mm <td>mm <td>mm <td>mm <td>CAD ONLY</td> </td></td></td>	mm <td>mm <td>mm <td>CAD ONLY</td> </td></td>	mm <td>mm <td>CAD ONLY</td> </td>	mm <td>CAD ONLY</td>	CAD ONLY