



**ANATECH ELECTRONICS INC**  
RF & Microwave Filters & Products

## 2405 MHz Cavity Band Pass Filter

Part Number: AE2405B5403



### Electrical Specifications

**Center Frequency:** 2405 MHz  
**3dB Bandwidth:** 100 MHz  
**Insertion Loss:** 3.0dB Max.  
**Return Loss:** 14dB Min.  
**Rejection1:** 50dB Min. @ 2200 MHz  
**Rejection2:** 50dB Min. @ 2600 MHz  
**Impedance:** 50 Ohms

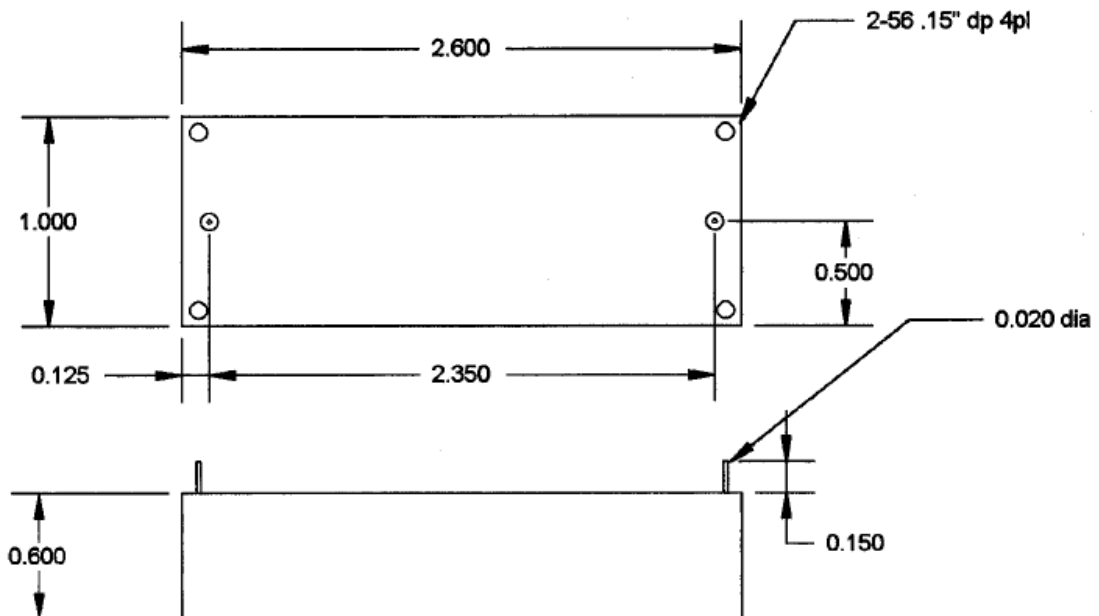
### Mechanical

**Connector Type:** PC-Mount  
**Dimensions:** 2.6" X 1.0" x 0.6" in.

### Environmental

**Operating Temperature:** -25°C to +70°C  
**Storage Temperature:** -40°C to +90°C  
**Shock:** 20 G. 11ms  
**Vibration:** 20 G. 5 to 200Hz

### Outline Drawing:



2 decimal places: +/-0.01 inches [ +/-0.3mm]  
3 decimal places: +/-0.005 inches [ +/-0.13mm]  
Angles: +/-1 Deg.

When max dimensions are called out the above tolerances do not apply as long as it is under the max call out.



**Response Plot:**

