

963213-1 ✓ ACTIVE

AMP | Timer Connector System

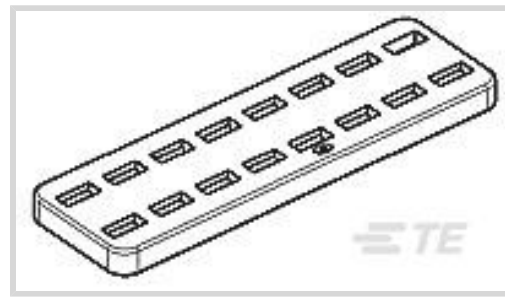
TE Internal #: 963213-1

Automotive Seals & Cavity Plugs, Facial Seal, Silicone, Natural, -40 – 257 °F [-40 – 125 °C], Timer Connector System

[View on TE.com >](#)



Connectors > Automotive Connectors > Automotive Seals & Cavity Plugs



Connector Seal & Plug Type: **Facial Seal**

Primary Product Material: **Silicone**

Operating Temperature (Max): **125 °C [257 °F]**

Contains Lubricant: **No**

Primary Product Color: **Natural**

Features

Product Type Features

Connector Seal & Plug Type	Facial Seal
----------------------------	-------------

Body Features

Primary Product Material	Silicone
--------------------------	----------

Primary Product Color	Natural
-----------------------	---------

Usage Conditions

Operating Temperature (Max)	125 °C[257 °F]
-----------------------------	----------------

Operating Temperature Range	-40 – 125 °C[-40 – 257 °F]
-----------------------------	----------------------------

Packaging Features

Packaging Quantity	10000
--------------------	-------

Packaging Method	Bag
------------------	-----

Other

Contains Lubricant	No
--------------------	----

Product Compliance

[For compliance documentation, visit the product page on TE.com>](#)

EU RoHS Directive 2011/65/EU	Compliant
------------------------------	-----------

EU ELV Directive 2000/53/EC	Compliant
-----------------------------	-----------

China RoHS 2 Directive MIIT Order No 32, 2016	No Restricted Materials Above Threshold
---	---

EU REACH Regulation (EC) No. 1907/2006

Current ECHA Candidate List: JUNE 2023 (235)

Candidate List Declared Against: JAN 2023 (233)

Does not contain REACH SVHC

Halogen Content

Low Halogen - Br, Cl, F, I < 900 ppm per homogenous material. Also BFR/CFR/PVC Free

Solder Process Capability

Not applicable for solder process capability

Product Compliance Disclaimer

This information is provided based on reasonable inquiry of our suppliers and represents our current actual knowledge based on the information they provided. This information is subject to change. The part numbers that TE has identified as EU RoHS compliant have a maximum concentration of 0.1% by weight in homogenous materials for lead, hexavalent chromium, mercury, PBB, PBDE, DBP, BBP, DEHP, DIBP, and 0.01% for cadmium, or qualify for an exemption to these limits as defined in the Annexes of Directive 2011/65/EU (RoHS2). Finished electrical and electronic equipment products will be CE marked as required by Directive 2011/65/EU. Components may not be CE marked. Additionally, the part numbers that TE has identified as EU ELV compliant have a maximum concentration of 0.1% by weight in homogenous materials for lead, hexavalent chromium, and mercury, and 0.01% for cadmium, or qualify for an exemption to these limits as defined in the Annexes of Directive 2000/53/EC (ELV). Regarding the REACH Regulation, the information TE provides on SVHC in articles for this part number is based on the latest European Chemicals Agency (ECHA) 'Guidance on requirements for substances in articles' posted at this URL: <https://echa.europa.eu/guidance-documents/guidance-on-reach>

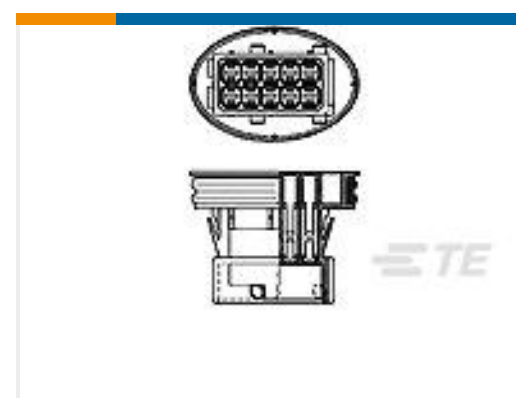
Compatible Parts



TE Part # CAT-T4827-CH8172
Timer Connector Housing



TE Part # 1-967601-1
MESSERLEISTE3,0 10P

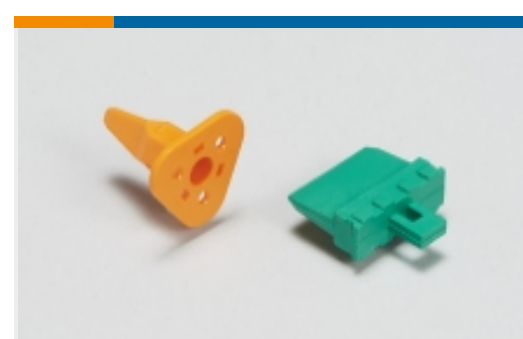


TE Part # 929178-1
FLACHSTE-GEH2,8 10P

Also in the Series | Timer Connector System



Automotive Connector Caps & Covers (12)



Automotive Connector Locks & Position Assurance(17)



Automotive Housings(235)



Automotive Seals & Cavity Plugs(32)



Automotive Terminals(145)



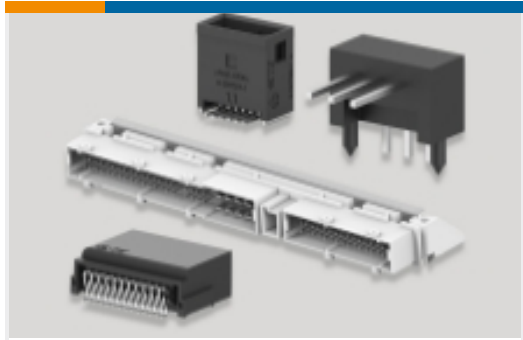
Crimp Terminal Housings(13)



Insertion & Extraction Tools(19)



Other Automotive Connector Accessories(1)



PCB Headers & Receptacles(82)



Quick Disconnects(4)

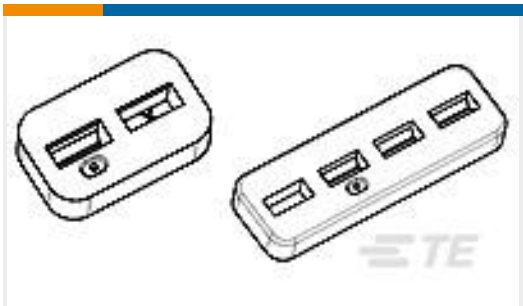
Customers Also Bought



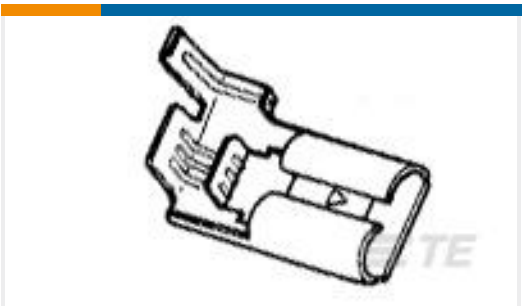
TE Part #1-962349-1
Timer Connector Housing



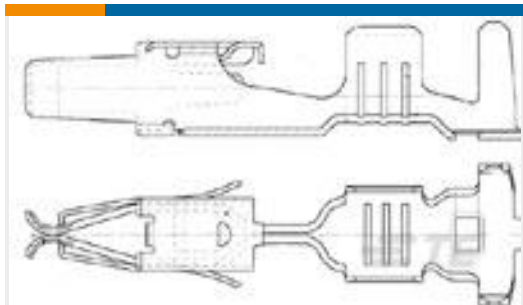
TE Part #2525592005
RBK-ILS-125-NR1-0-STK



TE Part #963209-1
DICHTUNG F2P JPT-GH



TE Part #1-1627087-0
RECEPTACLE, FLAG QC 4.8x0.8 (H25411)



TE Part #185027-1
JPT F REC 2.8 Contact SWS Sn



TE Part #1801823-3
4POS,MCON 0.5 CB,REC HSG,BLUE, ASSY,SLD



TE Part #0021032009
RBK-ILS-125-NR3-0-STK



TE Part #6776556004
RPPM-NR510-X-50MM



TE Part #2138710-1
PLUG HOUSING, 1 POSITION, 180

Documents



Product Drawings

DICHTUNG F 962352

English

CAD Files

3D PDF

English

Customer View Model

[ENG_CVM_963213-1_C.2d_dxf.zip](#)

English

Customer View Model

[ENG_CVM_963213-1_C.3d_igs.zip](#)

English

Customer View Model

[ENG_CVM_963213-1_C.3d_stp.zip](#)

English

By downloading the CAD file I accept and agree to the [Terms and Conditions](#) of use.

Product Specifications

Product Specification

French

Instruction Sheets

CONNECTEURS JPT ETANCHES A ETRIER POUR CONNEXIONS FIL A FIL PRECONISAT

English

Instruction Sheet (non U.S.)

English