

Orthogonal COMBICON headers for THR processes MSTBO 2,5/4-G1... THR R44 BK

The orthogonal COMBICON MSTBO 2,5/... headers with a 5.0 pitch are now available for use in the Through Hole Reflow process.

Components can be mounted automatically on the PCB without any problems.

The headers are made of highly temperature-resistant polyamide and are suitable for use in lead-free solder processes.

There is a 4-pos. version available and versions with two and three positions will follow shortly.

The integrated suction area allows cost and time-effective processing, since it is no longer necessary to remove a suction pad after processing.

The headers are supplied in tapes, so that common feeder systems can be used. They can also be supplied in bulk.



COMBICON Select

The COMBICON search engine with CAD downloading

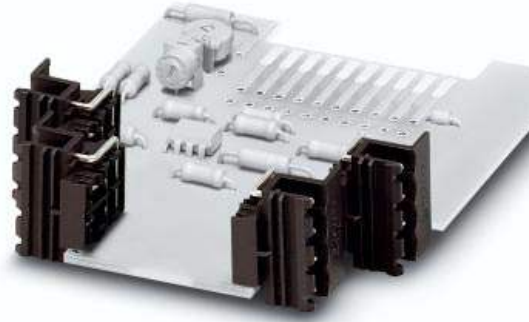


COMBICON Select – the printed circuit board connection software supports your workflow from the PCB and housing layout to the ordering process with:

- Systematic and fast selection of products
- Universal Internet aided engineering with extensive CAD downloading
- Easy-to-use e-shopping functions.

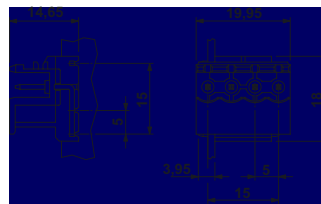
select.phoenixcontact.com/combicon

Orthogonal COMBICON headers MSTBO 2,5/4-G1...THR R44 BK 5.0 mm Pitch

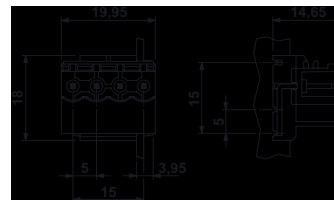


Description	No. of pos.	Dim. a [mm]	Type	Order No.	Pcs./Pkt.
COMBICON header , for soldering onto the PCB, color: black, „PCB on the left“	4	15	MSTBO 2,5/4-G1L THR R44 BK	26 97 19 4	100
COMBICON header , for soldering onto the PCB, color: black, „PCB on the right“	4	15	MSTBO 2,5/4-G1L THR R44 BK	26 97 20 4	100
Technical data					
Dimensions					
Pitch		[mm]	see description		
Hole diameter		[mm]	5.0		
Pin dimensions		[mm]x[mm]	1.5		
			1 x 1		
Technical data in accordance with IEC/ DIN VDE					
Insulating material group		—	I		
Surge voltage category / contamination class		—/—	III / 3	III / 2	II / 2
Rated voltage		[V]	250	320	400
Rated surge voltage		[kV]	4	4	4
Nominal current / cross section		[A]/[mm ²]	16 / —		
Maximum load current / cross section		[A]/[mm ²]	16 / —		
Insulating material					
Inflammability class in acc. with UL 94					
Approval data (UL/CUL and CSA)					
Nominal voltage / current / conductor sizes		UL/CUL: [V]/[A]/AWG	300 / 10 / ---		

Feed direction R44

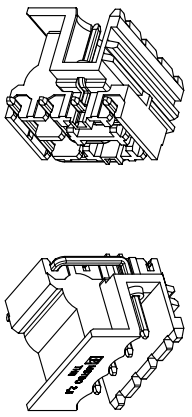
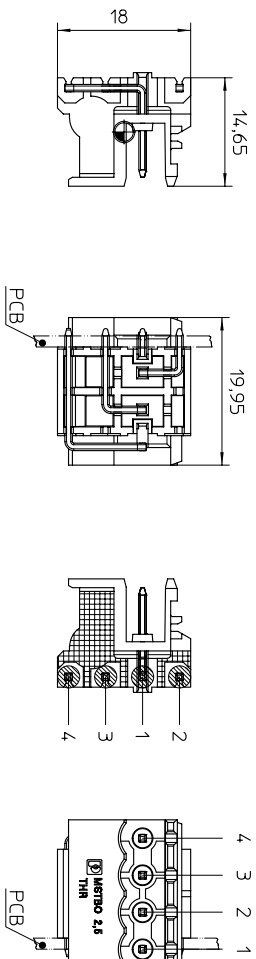


MSTBO 2,5/4-G1L THR R44 BK

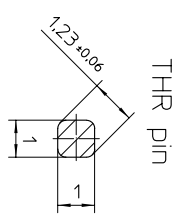


MSTBO 2,5/4-G1R THR R44 BK

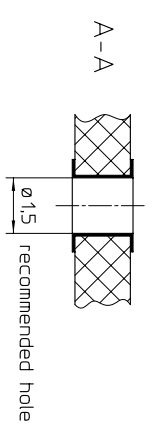
MSTBO 2.5/ 4-G1R THR
2:1



10:1

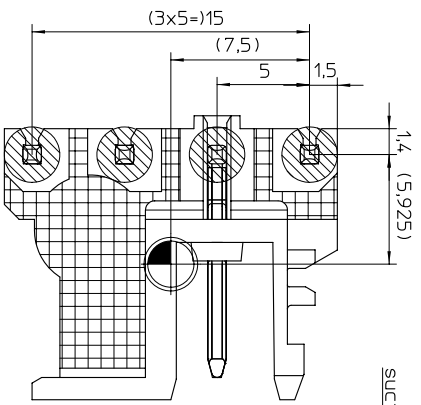


PCB Detail

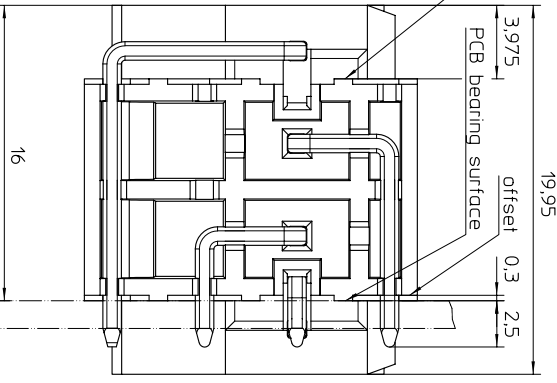


MSTBO 2.5/ 4-G1L THR

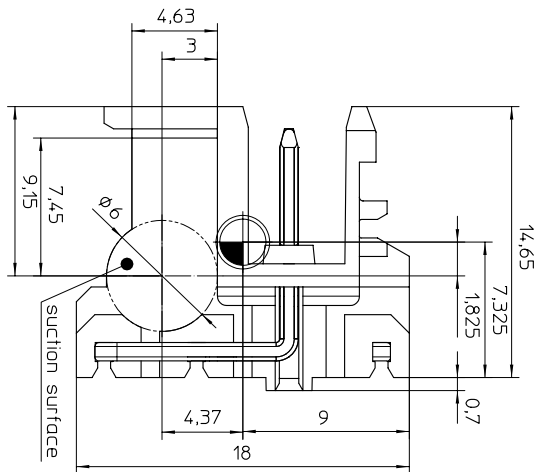
5:1



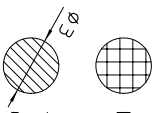
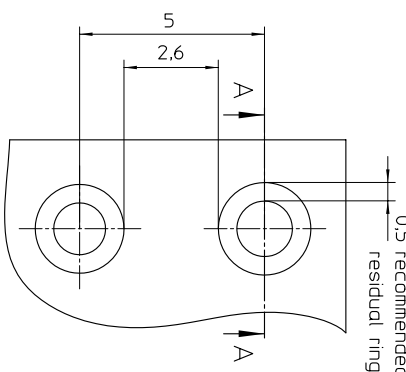
suction surface



zero part



schematic description

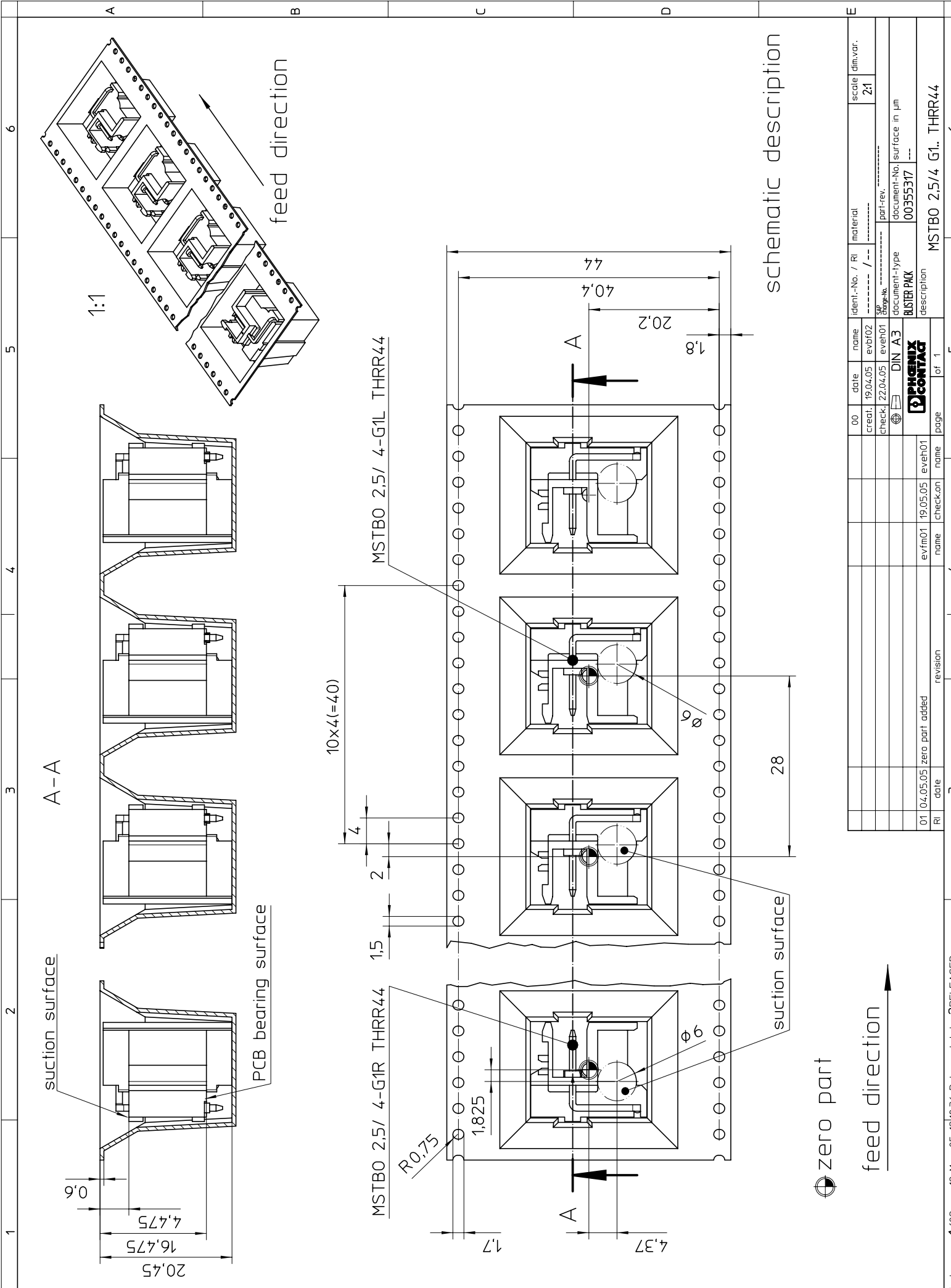


PCB bearing surface
free space for solder paste:
offset 0.3

Weilergabe sowie Vervielfältigung dieses Dokuments, Verwertung und Mitteilung seines Inhalts gemäß §18 UWG verboten, soweit nicht ausdrücklich gestattet. Zuwiderhandlungen verpflichten zu Schadenersatz (§19 UWG). Alle Rechte vorbehalten, insbesondere das Recht, Patent-, Gebrauchsmuster- oder Geschmacksmusteranmeldungen durchzuführen. Phoenix Contact GmbH & Co. KG

The copying, distribution and utilization of this document as well as the communication of the contents to others without expressed authorization is prohibited according to §18 UWG German Law. Offenders will be held liable for the payment of damages according to §19 UWG German Law. All rights reserved, in particular the right to carry out patent, utility model or ornamental design registrations. Fietschmarktstraße 8 D-32825 Blomberg

The copying, distribution and utilisation of this document as well as the communication of its contents to others without expressed authorization is prohibited according to §19 UWG German Law. Offenders will be held liable for the payment of damages according to §19 UWG German Law. All rights reserved. In particular the right to carry out patent, utility model or ornamental design registrations. Fachmarkenstrasse 8 D-32825 Blomberg



zero part

feed direction

01	04.05.05	zero part added	evr/m01	19.05.05	evet/h01	name	check-con	name	page	of 1	5	
RI	date	revision	name	check-con	name	evr/m01	19.05.05	evet/h01	name	check-con	name	
<p>PHOENIX CONTACT logo</p> <p>DIN A3</p> <p>document-type: BUSTER PACK</p> <p>document-No.: 00355317</p> <p>surface in µm: ----</p> <p>part-rev: ----</p> <p>description: MSTBO 2.5/4 G1. THRR44</p>												
								scale	dim.var.			
								2:1				