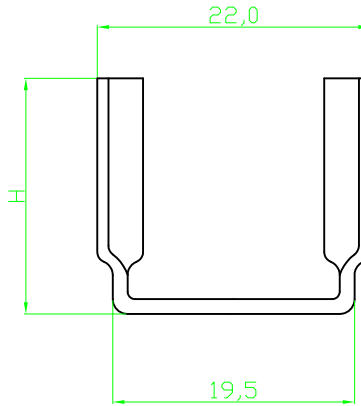
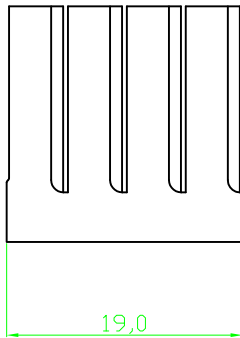
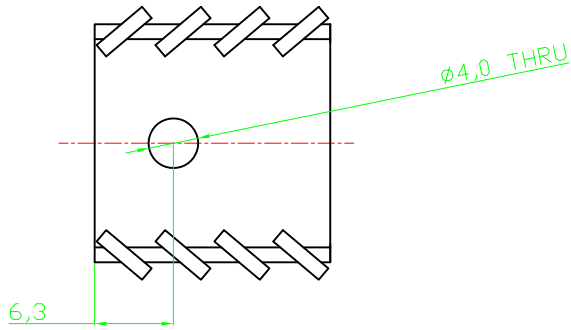


RoHS compliant



Material : AL 1050 T=1.5mm
Finished : Black Anodize

No.	mm	H	Thermal resistance(K/W)
V2003W		11.0	30
V2003X		19.0	22

Scale	FREE	Date	11.08.2009	Name	Dean	Customer-No.	
TOLERANCE		Drawn	11.08.2009	Approved	10.03.2010	ASSMANN WSW-No.	V2003x
UNIT	$\pm X$	Modify drawing layout	10.03.2010	Drawn	11.08.2009	Drawing-No.	ASS 0845 HS
							rev02
							Sheet
DIM	TOL	Id.	Modification	Date	Name	Replace	
X.°	$\pm X^\circ$	②	Modify drawing layout	10.03.2010	Alex		
X.X°	$\pm X^\circ$	①	Drawn	11.08.2009	Dean		
Angle	TOL						



ASS 0845 HS rev02