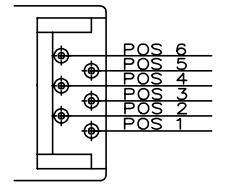
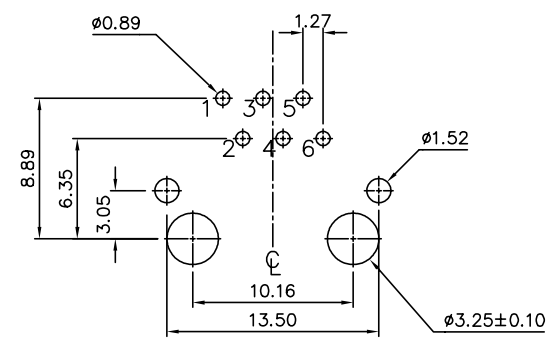
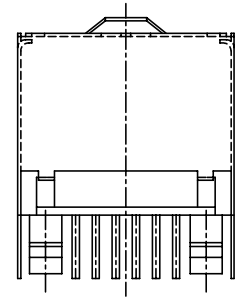
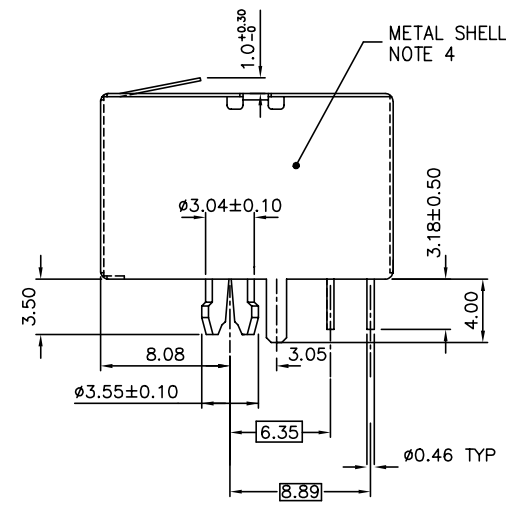
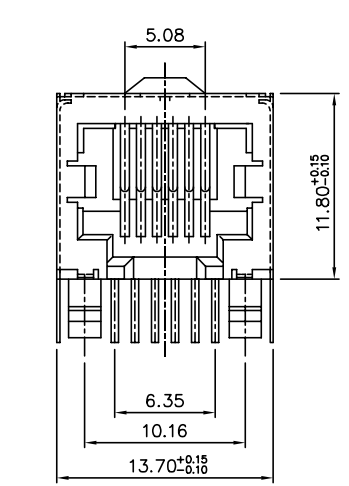


PRODUCT NO	NUMBER OF POS.	LOADED POSITION	HSG COLOR	PLATING
61885-0661	6	ALL POS.	BLACK	5u" Au + high performance lubricant
61885-0641		2,3,4,5		
61885-0621		3,4		
61885-0661LF		ALL POS.		
61885-0641LF		2,3,4,5		
61885-0621LF		3,4		

LEAD FREE PRODUCT NO.

NOTES:

- RECOMMENDED P.C.B. THICKNESS 1.60 MM
- HOUSING MAT'L: NYLON 66, 25% GLASS REINFORCED, COLOR: SEE TABLE
- CONTACTS: PHOS BRONZE ALLOY UNS-C51000, Ø 0.460 ROUND WIRE, PLATING SEE TABLE.
- METAL SHELL MATERIAL: COPPER ALLOY, 0.20MM THICK. FINISH: FOR 61885-XXXX TIN-LEAD 100 u" THICK. FOR 61885-XXXXLF PURE TIN 80 u" THICK.
- PACKAGING PER GES-14-361, USING TUBE
- IF LF P/N THE PRODUCT MEETS EUROPEAN UNION DIRECTIVES AND OTHER COUNTRY REGULATIONS AS DESCRIBED INS GS-22-008
- IF LF P/N THE HOUSING WILL WITHSTAND EXPOSURE TO 260° PEAK TEMPERATURE FOR 10 SECONDS IN A WAVE SOLDER APPLICATION WITH A 1.60mm MINIMUM THICK CIRCUIT BOARD
- IF LF P/N PACKAGING MEETS GS-14-920 SPECIFICATION



POS. NO. CONFIGURATION

mat'l. code		surface ISO1302 ✓		tolerance ISO1101 ISO406		projection		product family MOD JACK	
l trechn nodr		date		tolerances unless other		wise specified		title	
C	T80510 MW	11/18/98		0.X±0.3		mm		LOW PROFILE PCB III 6 POS	
D	T03-0443 WL	10/06/03	angle	0.XX±0.15				MOD JACK, FULLY SHIELDED	
E	N04-0125 YS	12/15/04	0°±2'	0.XXX±0.05		scale 2.0			
F	ELX-N-011021 SH MM	03/25/12	dr	c M HSU	03/27/97			dwg no sheet 1 of 1 size	
				engr TONY CHIEN	03/27/97			61885 A4	
				chr TONY CHIEN	03/27/97			type Product Customer Drawing	
				appd JENN TSAO	03/27/97				
sheet index	revision	F							
	sheet	1							