

**MATERIALS AND FINISHES**

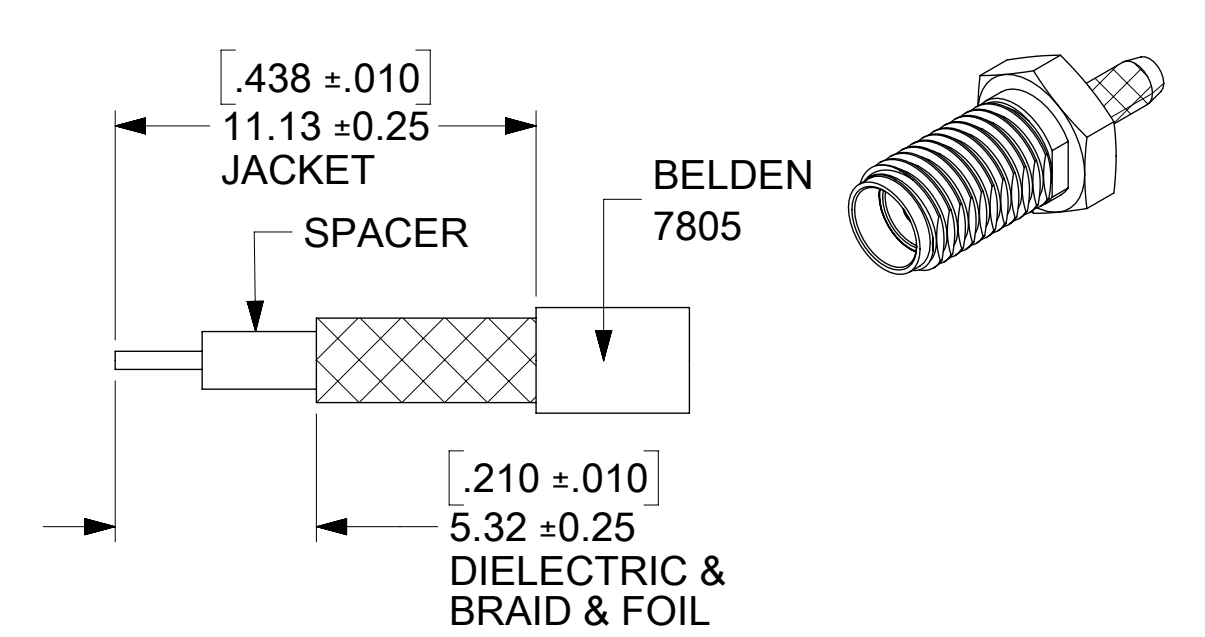
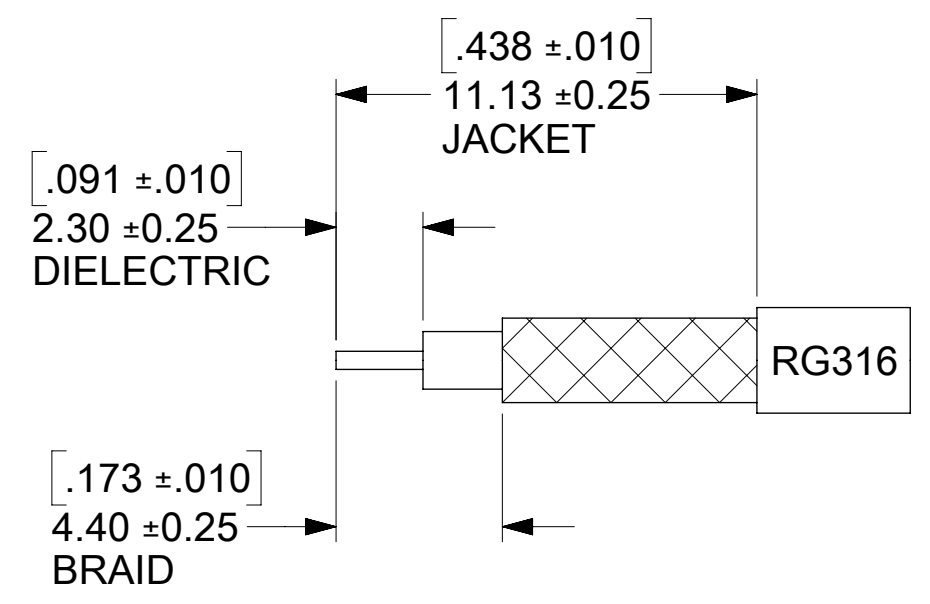
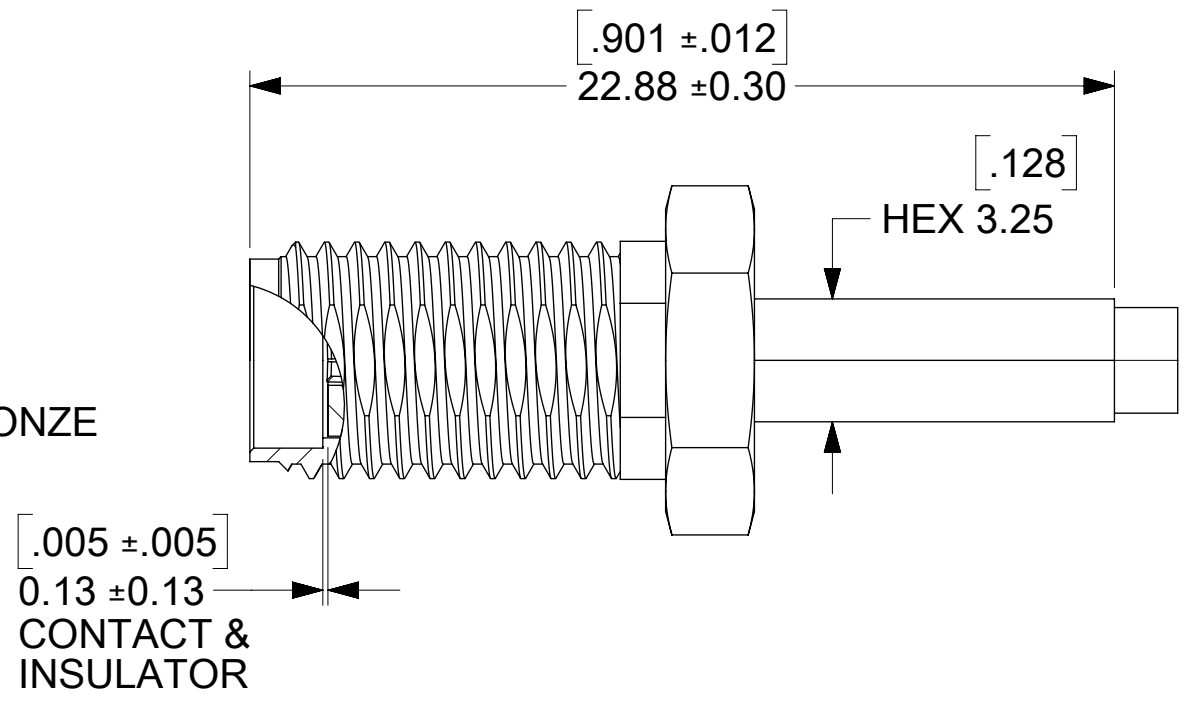
**BODY, CRIMP TUBE:** BRASS  
PLATED SEE TABLE

**CONTACT:** BERYLLIUM COPPER  
PLATED SEE TABLE

**LOCK WASHER:** PHOSPHOR BRONZE  
PLATED SEE TABLE

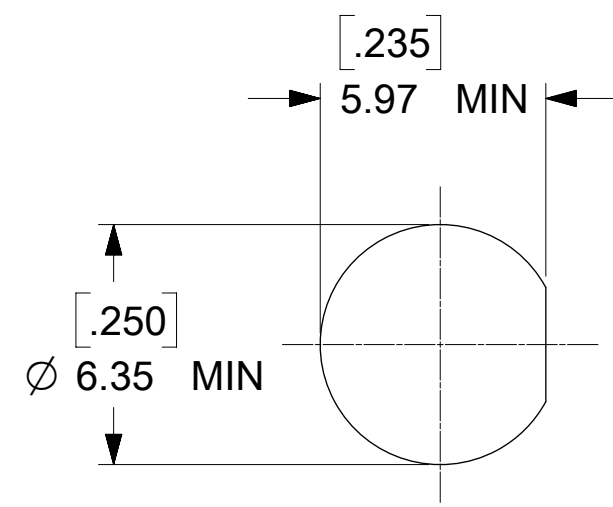
**JAM NUT:** BRASS  
PLATED SEE TABLE

**INSULATOR, SPACER:** TEFLON

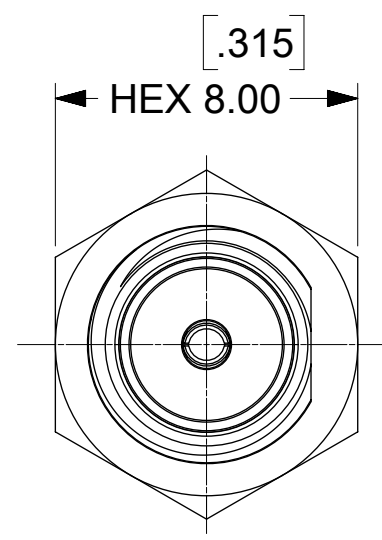


CABLE STRIPPING DIMENSIONS FOR -0260 THRU -0262 & -0264 & -0266

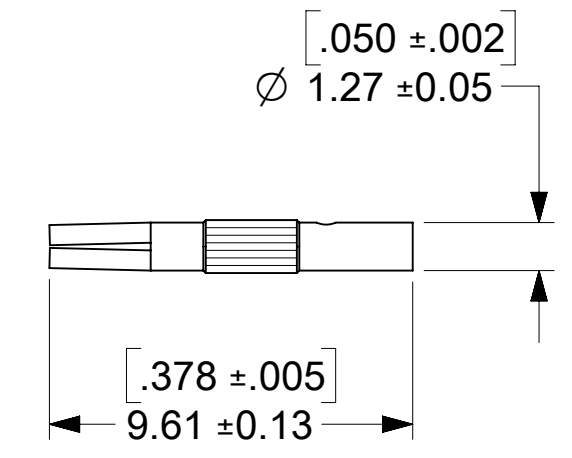
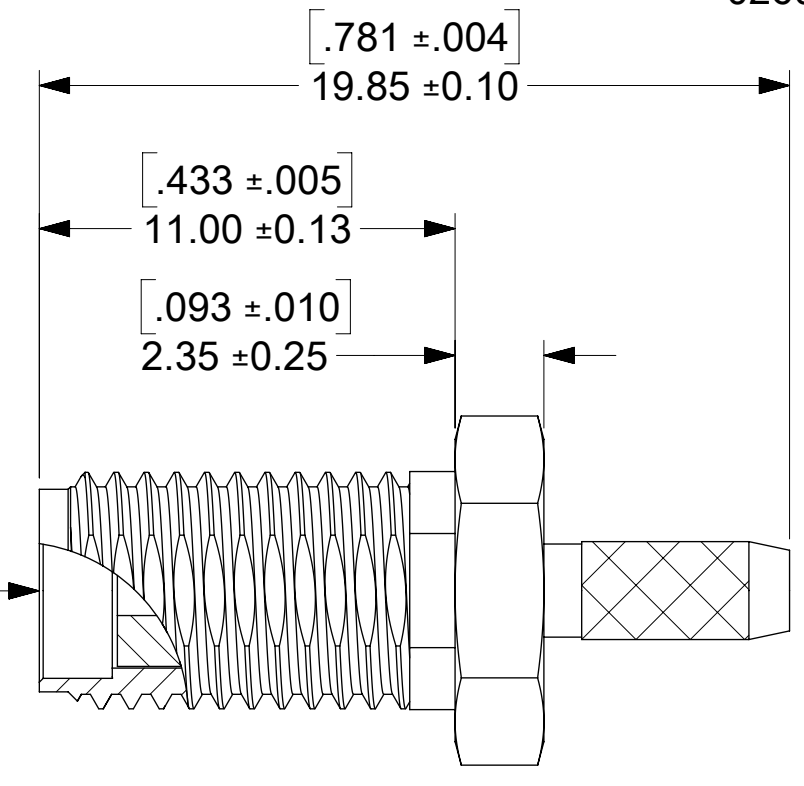
CABLE STRIPPING DIMENSIONS FOR -0263 ONLY



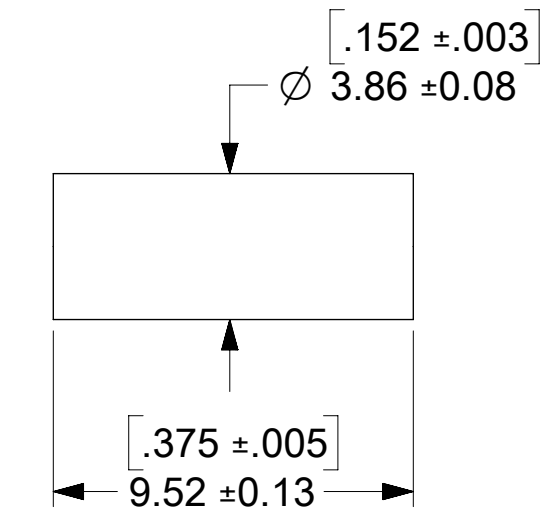
RECOMMENDED PANEL CUTOUT  
MAX PANEL THICKNESS 3.18 (.125)



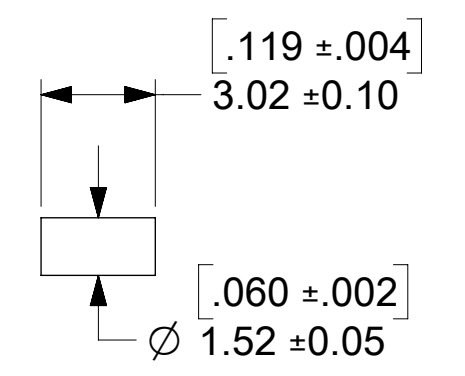
SMA JACK  
INTERFACE



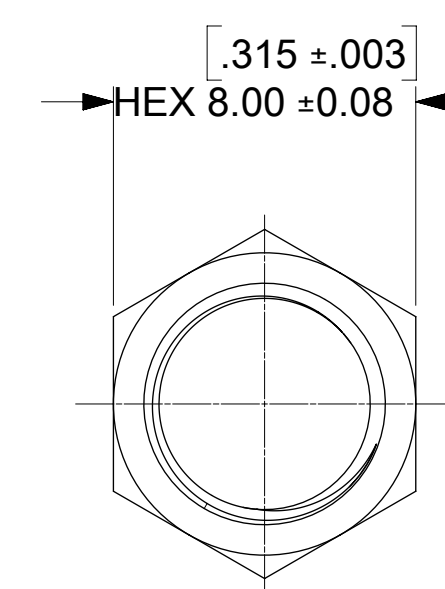
CONTACT



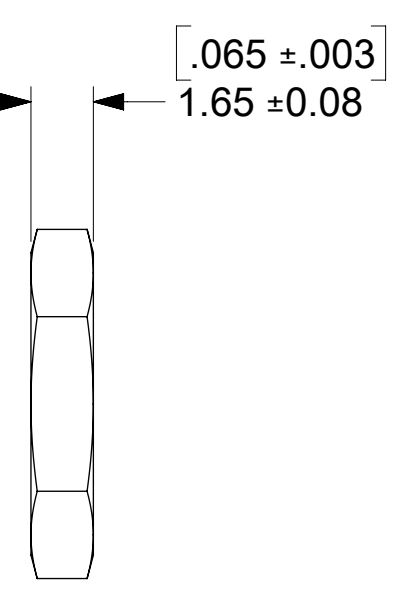
CRIMP TUBE



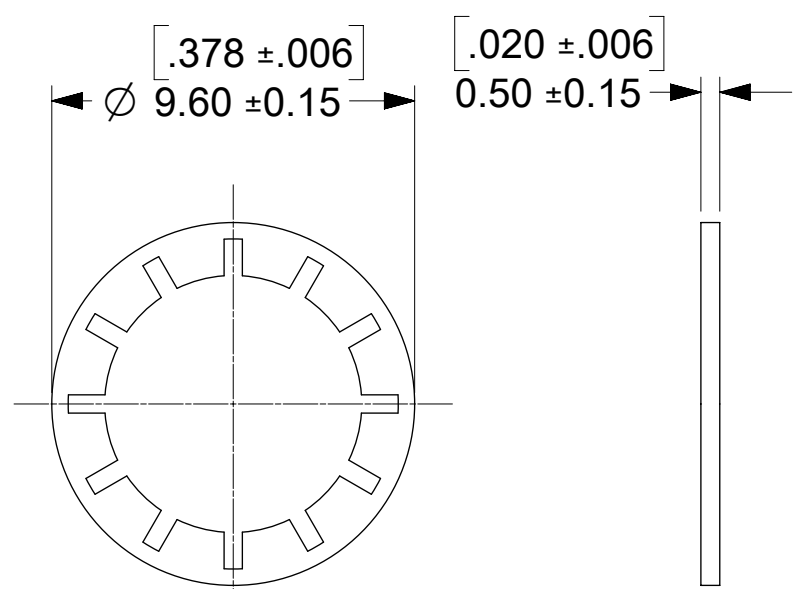
SPACER  
FOR -0263 ONLY



JAM NUT



LOCK WASHER

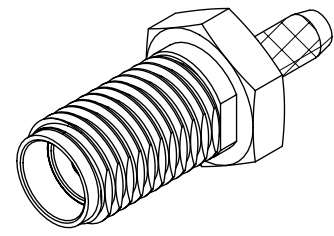


73391-0266	GOLD (FLASH)	GOLD (10 MICRO-IN MIN)	GOLD (FLASH)	GOLD (10 MICRO-IN MIN)
73391-0265	GOLD (30 MICRO-IN MIN)	GOLD (30 MICRO-IN MIN)	GOLD (30 MICRO-IN MIN)	GOLD (30 MICRO-IN MIN)
73391-0264	GOLD (FLASH)	GOLD (FLASH)	GOLD (FLASH)	GOLD (10 MICRO-IN MIN)
73391-0263	GOLD (10 MICRO-IN MIN)	GOLD (30 MICRO-IN MIN)	NOT INCLUDING	NOT INCLUDING
73391-0262	GOLD (10 MICRO-IN MIN)	GOLD (30 MICRO-IN MIN)	NOT INCLUDING	NOT INCLUDING
73391-0261	GOLD (FLASH)	GOLD (10 MICRO-IN MIN)	NOT INCLUDING	NOT INCLUDING
73391-0260	GOLD (FLASH)	GOLD (10 MICRO-IN MIN)	GOLD (FLASH)	GOLD (10 MICRO-IN MIN)
PART NO.	BODY/CRIMP TUBE	CONTACT	JAM NUT	LOCK WASHER

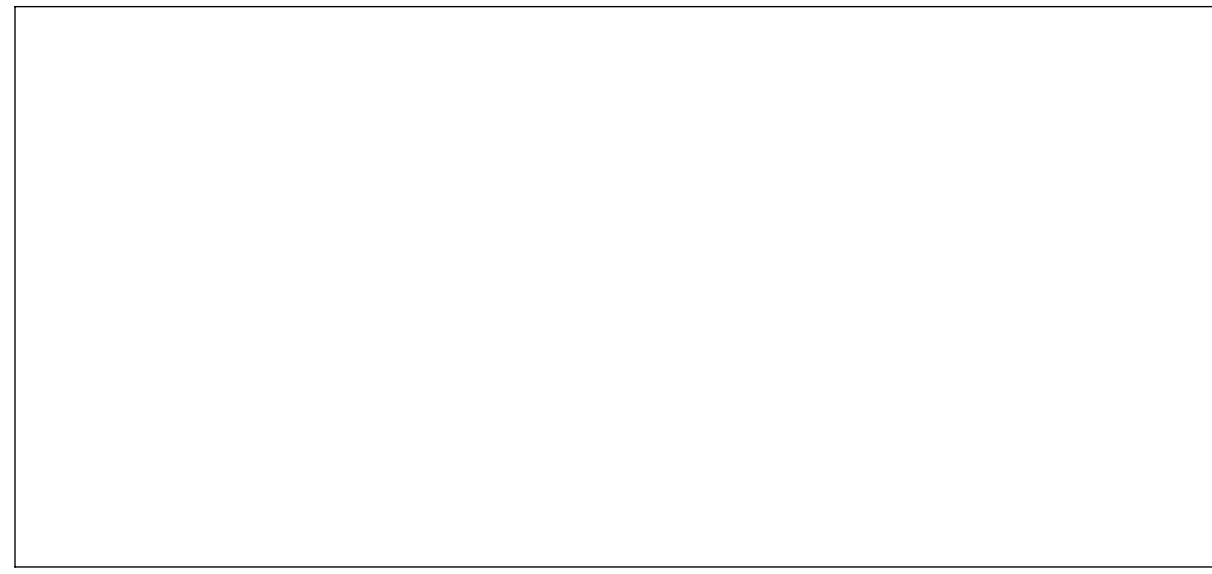
73391-0266	50PCS PER BAG	50PCS PER BAG
73391-0265	50PCS PER BAG	250PCS PER BAG
73391-0264	50PCS PER BAG	250PCS PER BAG
73391-0263	50PCS PER BAG	NOT INCLUDING
73391-0262	50PCS PER BAG	NOT INCLUDING
73391-0261	50PCS PER BAG	NOT INCLUDING
73391-0260	50PCS PER BAG	250PCS PER BAG
PART NO.	CONNECTOR PACKAGING	ACCESSORIES PACKAGING

PS-89675-346	ELEC/MECH PERFORMANCE
SPECIFICATION	DESCRIPTION

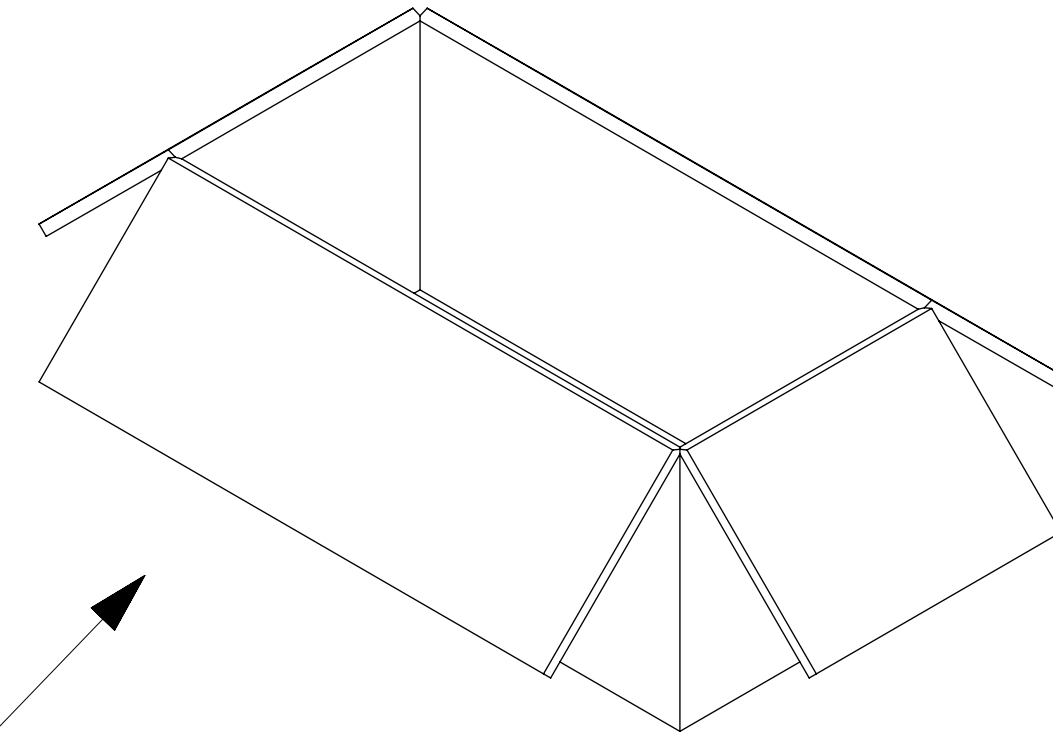
FUNCTIONAL SYMBOLS FA=0 EA=0 EP=0	THIS DRAWING CONTAINS INFORMATION THAT IS PROPRIETARY TO MOLEX ELECTRONIC TECHNOLOGIES, LLC AND SHOULD NOT BE USED WITHOUT WRITTEN PERMISSION		CURRENT REV DESC: EWR # 15667-A : ADDED -0266	
	DIMENSION UNITS <b>MM/INCH</b>	SCALE <b>NTS</b>	PART NO	
	GENERAL TOLERANCES (UNLESS SPECIFIED)		EC NO: 738061	
	ANGULAR TOL ± °		DRWN: JSU18 2023/02/08	
DIVISIONAL SYMBOLS	4 PLACES ±	CHK'D: YCHENG 2023/02/21		
	3 PLACES ±	APPR: YCHENG 2023/02/21		
	2 PLACES ±	INITIAL REVISION:		
	1 PLACE ±	DRWN: AROBERTSON 2007/04/09		
0 PLACES ±	APPR: JWIENER 2007/04/09		DOCUMENT NUMBER <b>SD-73391-026</b>	
DRAFT WHERE APPLICABLE MUST REMAIN WITHIN DIMENSIONS		THIRD ANGLE PROJECTION	DRAWING <b>C-SIZE</b>	SERIES <b>73391</b>
DOC STATUS <b>P1</b>		RELEASE DATE <b>2023/02/21 04:15:15</b>	MATERIAL NUMBER SEE TABLE	CUSTOMER GENERAL MARKET
DOC TYPE <b>PSD</b>		DOC PART <b>000</b>	REVISION <b>B9</b>	
SHEET NUMBER <b>1 OF 3</b>				



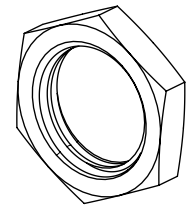
P/N: 73391-0260  
 73391-0261  
 73391-0262  
 73391-0263  
 73391-0264  
 73391-0265



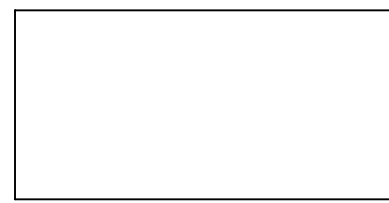
50 SET PER BAG  
 P/N: 89707-0174



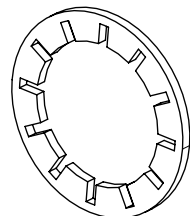
250 SET PER INNER  
 CARTON BOX  
 P/N: 89499-9026



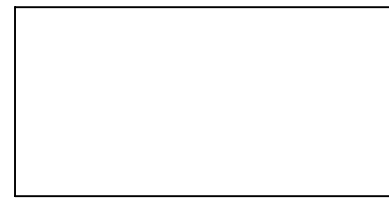
JAM NUT



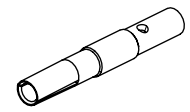
250 SET PER BAG



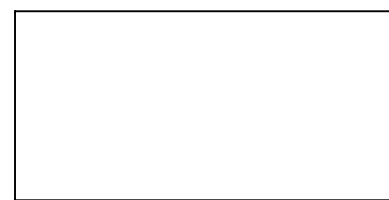
LOCK WASHER



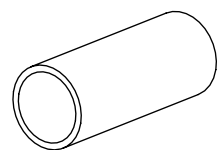
250 SET PER BAG



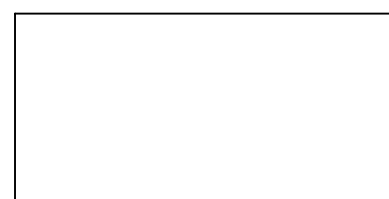
CONTACT



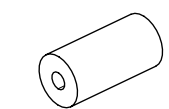
250 SET PER BAG



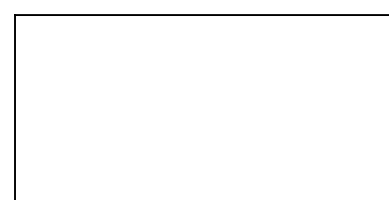
CRIMP TUBE



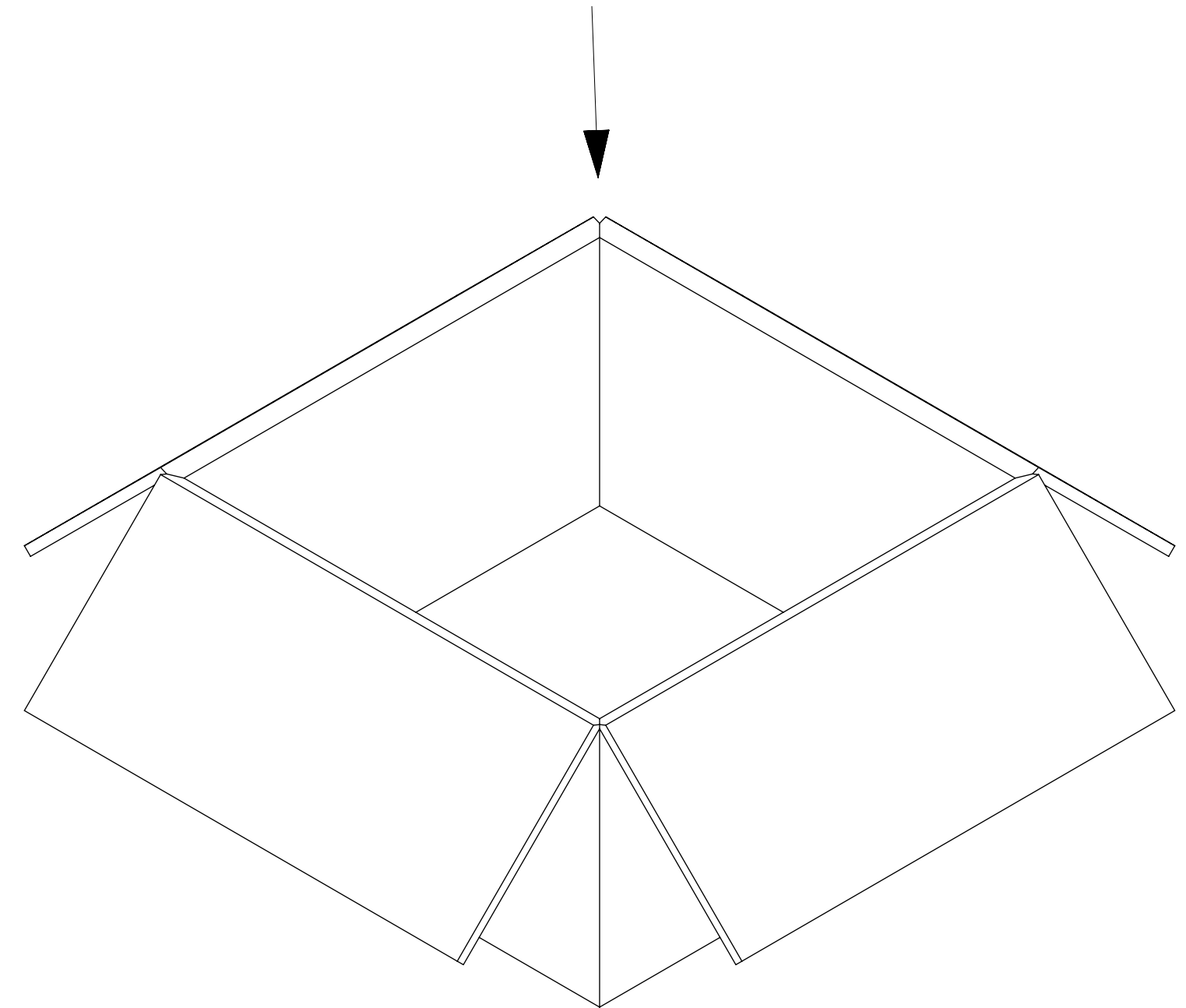
250 SET PER BAG



SPACER  
 FOR -0263 ONLY

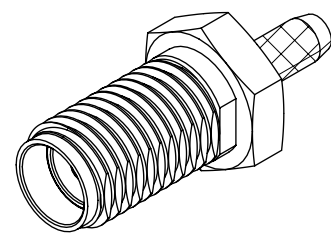


250 SET PER BAG

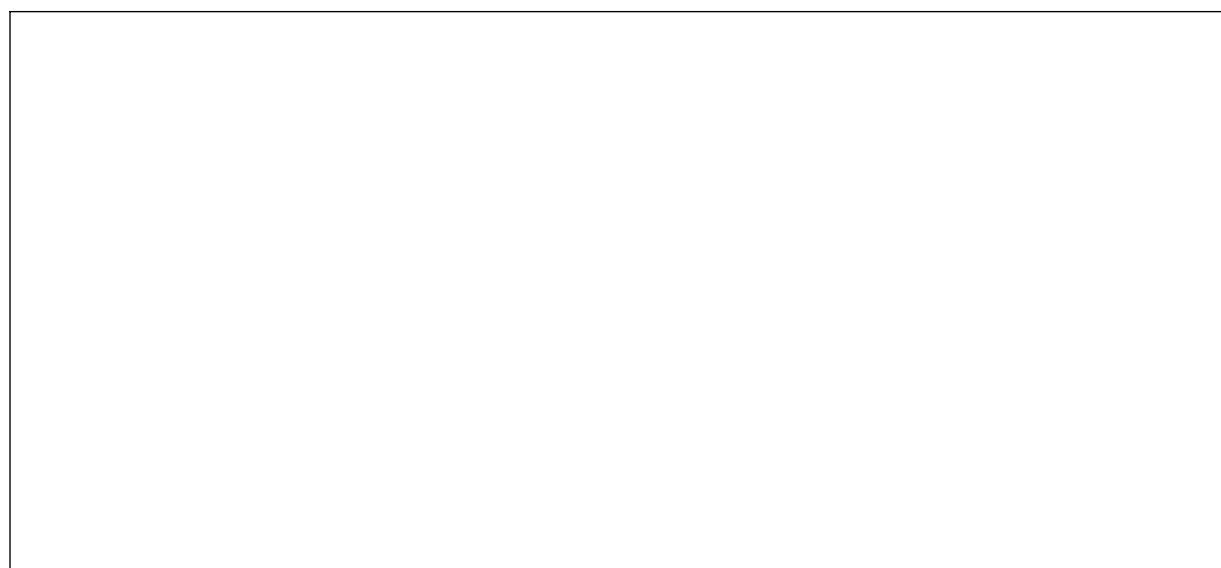


500 SET PER OUTER  
 CARTON BOX  
 P/N: 89499-9027

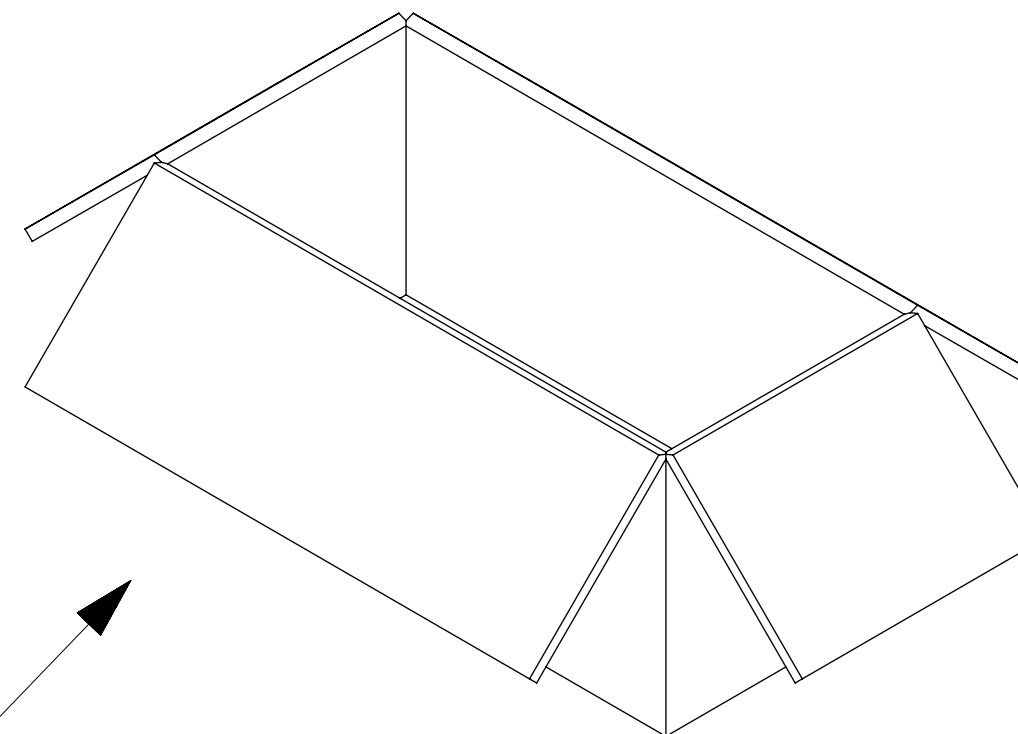
FUNCTIONAL SYMBOLS	THIS DRAWING CONTAINS INFORMATION THAT IS PROPRIETARY TO MOLEX ELECTRONIC TECHNOLOGIES, LLC AND SHOULD NOT BE USED WITHOUT WRITTEN PERMISSION										
	DIMENSION UNITS	SCALE	CURRENT REV DESC: EWR # 15667-A : ADDED -0266							PART NO	
$\frac{E}{A} = 0$	MM/INCH	NTS								<b>molex</b>	
$\frac{E}{C} = 0$	GENERAL TOLERANCES (UNLESS SPECIFIED)										
$\frac{E}{P} = 0$	ANGULAR TOL		±	°	EC NO: 738061					SMA JACK STR BKHD RM FOR RG316/RG174 SMA-JC	
DIVISIONAL SYMBOLS	4 PLACES		±		DRWN: JSU18		2023/02/08		PRODUCT CUSTOMER DRAWING		
	3 PLACES		±		CHK'D: YCHENG		2023/02/21		DOCUMENT NUMBER		
	2 PLACES		±		APPR: YCHENG		2023/02/21		DOC TYPE		
	1 PLACE		±		INITIAL REVISION:				DOC PART		
0 PLACES		±			DRWN: AROBERTSON		2007/04/09		REVISION		
DRAFT WHERE APPLICABLE MUST REMAIN WITHIN DIMENSIONS		THIRD ANGLE PROJECTION		DRAWING		SERIES		MATERIAL NUMBER		CUSTOMER	
				C-SIZE		73391		SD-73391-026		GENERAL MARKET	
										SHEET NUMBER	
										2 OF 3	



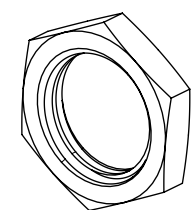
P/N: 73391-0266



50 SET PER BAG  
P/N: 89707-0174



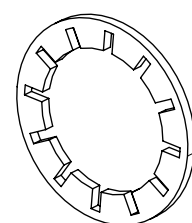
250 SET PER INNER  
CARTON BOX  
P/N: 89499-9026



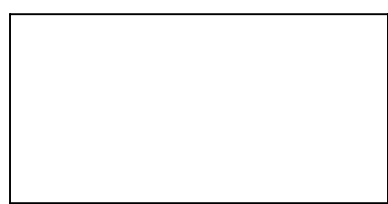
JAM NUT



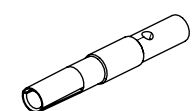
50 SET PER BAG



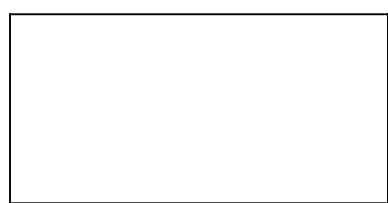
LOCK WASHER



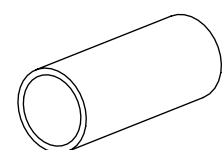
50 SET PER BAG



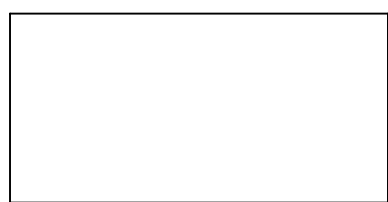
CONTACT



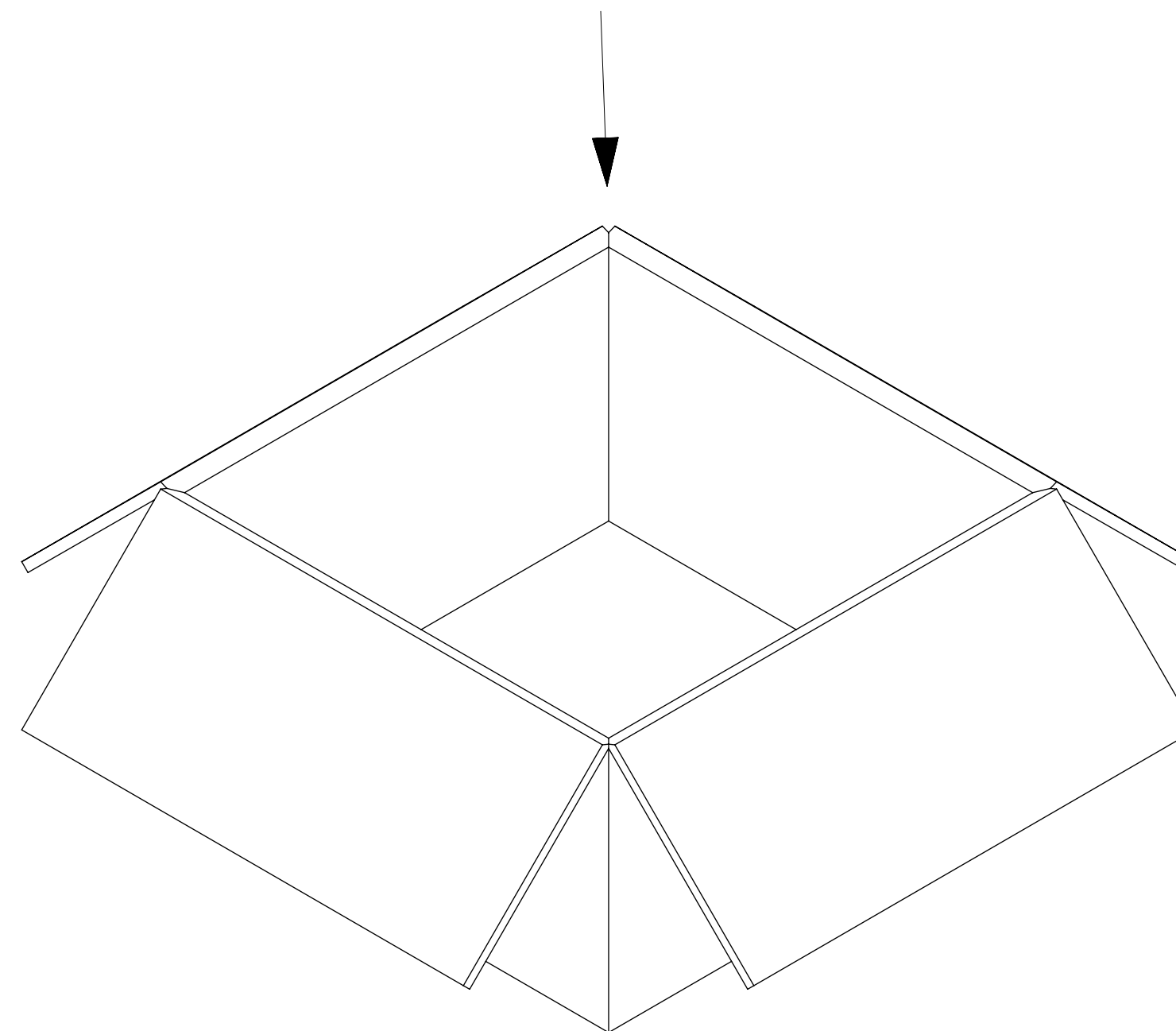
50 SET PER BAG



CRIMP TUBE



50 SET PER BAG



500 SET PER OUTER  
CARTON BOX  
P/N: 89499-9027

FUNCTIONAL SYMBOLS	THIS DRAWING CONTAINS INFORMATION THAT IS PROPRIETARY TO MOLEX ELECTRONIC TECHNOLOGIES, LLC AND SHOULD NOT BE USED WITHOUT WRITTEN PERMISSION																																																					
	DIMENSION UNITS	SCALE	CURRENT REV DESC: EWR # 15667-A : ADDED -0266								PART NO																																											
$\frac{F}{A} = 0$	MM/INCH	NTS																																																				
$\frac{E}{C} = 0$	GENERAL TOLERANCES (UNLESS SPECIFIED)																																																					
	ANGULAR TOL	±	°																																																			
DIVISIONAL SYMBOLS	4 PLACES	±																																																				
	3 PLACES	±																																																				
	2 PLACES	±																																																				
	1 PLACE	±																																																				
0 PLACES	±																																																					
DRAFT WHERE APPLICABLE MUST REMAIN WITHIN DIMENSIONS		THIRD ANGLE PROJECTION	DRAWING	SERIES	MATERIAL NUMBER					CUSTOMER	SHEET NUMBER																																											
			C-SIZE	73391						GENERAL MARKET	3 OF 3																																											
<table border="1"> <tr> <td colspan="2">DOCUMENT STATUS</td> <td>P1</td> <td>RELEASE DATE</td> <td>2023/02/21</td> <td>04:15:15</td> <td colspan="5"></td> </tr> </table>											DOCUMENT STATUS		P1	RELEASE DATE	2023/02/21	04:15:15																																						
DOCUMENT STATUS		P1	RELEASE DATE	2023/02/21	04:15:15																																																	
<table border="1"> <tr> <td colspan="2">DOCUMENT NUMBER</td> <td colspan="2">DOC TYPE</td> <td>DOC PART</td> <td>REVISION</td> <td colspan="5"></td> </tr> <tr> <td colspan="2">SD-73391-026</td> <td>PSD</td> <td>000</td> <td>B9</td> <td colspan="6"></td> </tr> </table>											DOCUMENT NUMBER		DOC TYPE		DOC PART	REVISION						SD-73391-026		PSD	000	B9																												
DOCUMENT NUMBER		DOC TYPE		DOC PART	REVISION																																																	
SD-73391-026		PSD	000	B9																																																		
<table border="1"> <tr> <td colspan="2">EC NO: 738061</td> <td colspan="2">DRWN: JSU18</td> <td colspan="2">2023/02/08</td> <td colspan="5"></td> </tr> <tr> <td colspan="2">CHK'D: YCHENG</td> <td colspan="2">APPR: YCHENG</td> <td colspan="2">2023/02/21</td> <td colspan="5"></td> </tr> <tr> <td colspan="2">INITIAL REVISION:</td> <td colspan="2">DRWN: AROBERTSON</td> <td colspan="2">2007/04/09</td> <td colspan="5"></td> </tr> <tr> <td colspan="2">APPR: JWIENER</td> <td colspan="2">2007/04/09</td> <td colspan="7"></td> </tr> </table>											EC NO: 738061		DRWN: JSU18		2023/02/08							CHK'D: YCHENG		APPR: YCHENG		2023/02/21							INITIAL REVISION:		DRWN: AROBERTSON		2007/04/09							APPR: JWIENER		2007/04/09								
EC NO: 738061		DRWN: JSU18		2023/02/08																																																		
CHK'D: YCHENG		APPR: YCHENG		2023/02/21																																																		
INITIAL REVISION:		DRWN: AROBERTSON		2007/04/09																																																		
APPR: JWIENER		2007/04/09																																																				
<table border="1"> <tr> <td colspan="11"> <p style="text-align: center;"><b>molex</b></p> <p style="text-align: center;">SMA JACK STR BKHD RM FOR RG316/RG174 SMA-JC</p> <p style="text-align: center;">PRODUCT CUSTOMER DRAWING</p> </td> </tr> </table>											<p style="text-align: center;"><b>molex</b></p> <p style="text-align: center;">SMA JACK STR BKHD RM FOR RG316/RG174 SMA-JC</p> <p style="text-align: center;">PRODUCT CUSTOMER DRAWING</p>																																											
<p style="text-align: center;"><b>molex</b></p> <p style="text-align: center;">SMA JACK STR BKHD RM FOR RG316/RG174 SMA-JC</p> <p style="text-align: center;">PRODUCT CUSTOMER DRAWING</p>																																																						