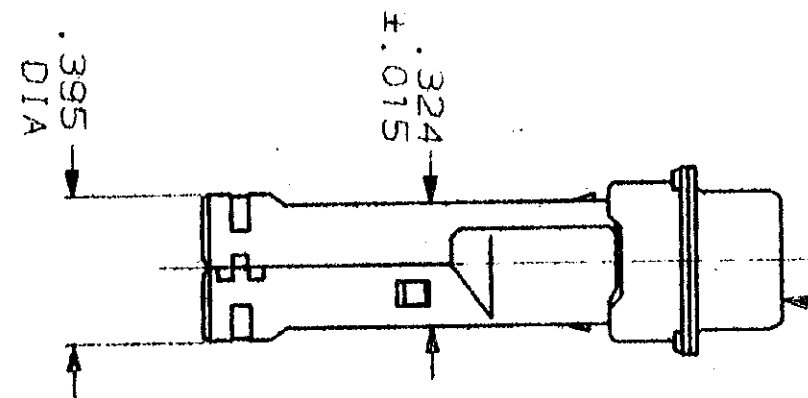
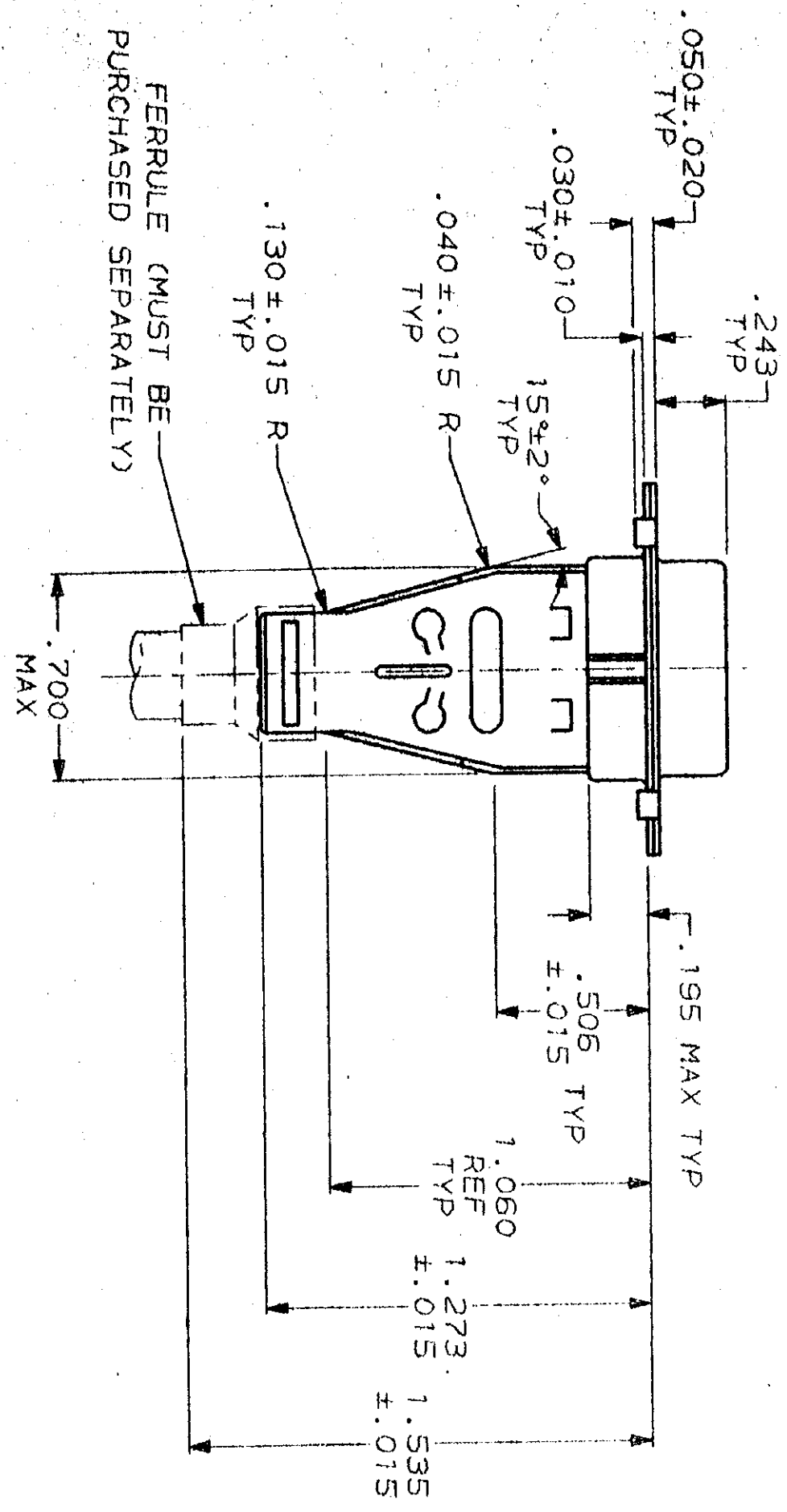
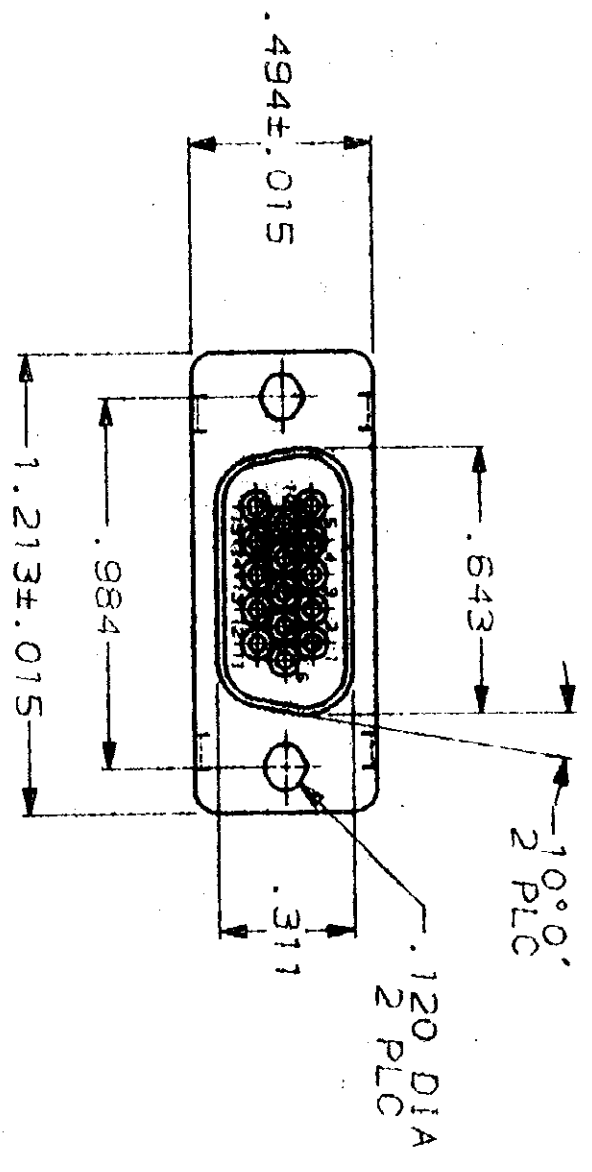


REV	DATE	APPD
2	BD 39	
ZONE	LTR	REVISIONS
A		REDRAWN AND REV PER ECN B05049
		DATE 7-3-91



RECEPTACLE CONNECTOR

FERRULE (MUST BE PURCHASED SEPARATELY)

- RECEPTACLE ACCEPTS SIZE 22 SOCKET CONTACTS (CONTACTS ORDERED SEPARATELY)
- ALL PARTS SHIPPED UNASSEMBLED, EACH PART INDIVIDUALLY BULK PACKED.
- FLAME RETARDANT 94V-0 RATED, GLASS FILLED NYLON, BLACK.

DO NOT SCALE PRINT. UNLESS SPECIFIED DIMENSIONS IN INCHES TOLERANCES ON 1: 2 PLC DEC ± .005 3 PLC DEC ± .030 ANGLES ± 0°30'	DR 7-3-91 R. SHIREY CHK R. Stone 8-2-91	NAME AMP INCORPORATED Manufacturing, Dept. 17105
MATERIAL HOUSING: $\Delta$ SHELLS & SHIELDS: PER ASTM A109	APPD [Signature] 8-1-91 PRODUCT SPEC	KIT, RCPT, SHIELDING HARDWARE, SIZE 1, 15 POSN, HDP-22, AMPLIMITE™
FINISH SHELLS & SHIELDS: TIN PLATED PER MIL-T-10727	APPLICATION SPEC	SIZE C FSCH NO 00779 DRAWING NO 748634
WEIGHT	SCALE 2:1	SHEET 1 OF 1

748634-1  
PART NUMBER

748634

CUSTOMER DRAWING