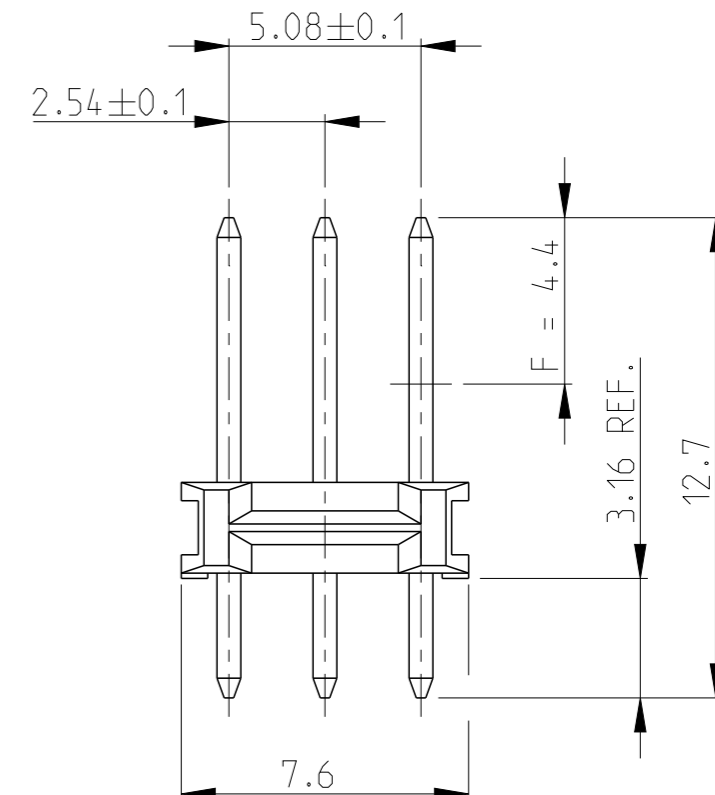
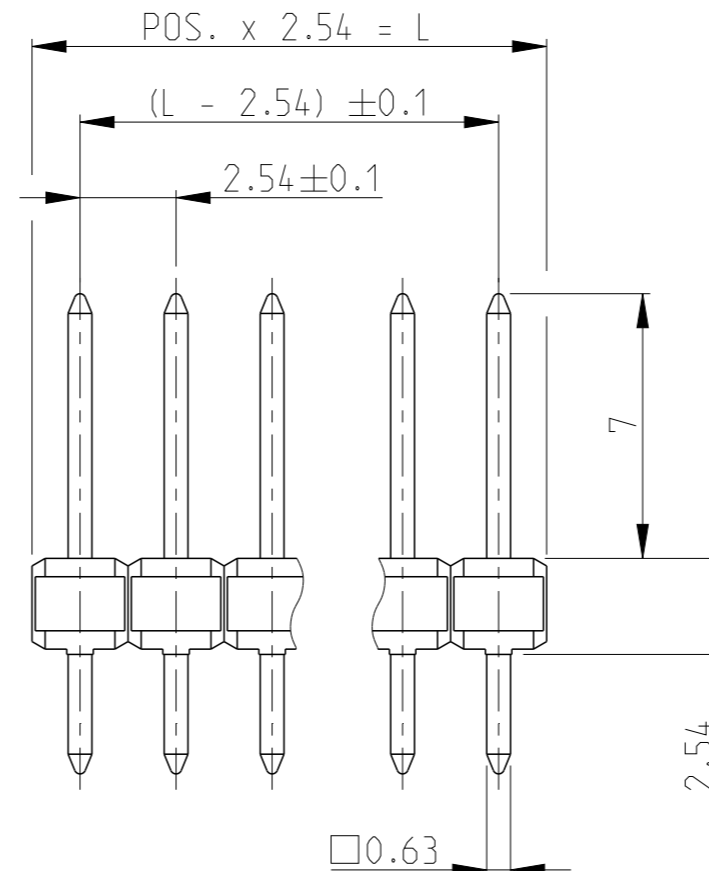


| P | LTR | DESCRIPTION | DATE | DWN | APVD |
|----|-----|--|-------------|-----|------|
| C1 | | NOTE 1 0.76 µm PLATING UPDATE (PdNi+AuFLASH) | 14 JUL 2023 | BGC | PS |

| POS. PER ROW | L +0.3 -0.6 | PART NUMBER | POS. PER ROW | L +0.3 -0.6 | PART NUMBER |
|--------------|----------------|-------------|--------------|----------------|-------------|
| - | - | - | 26 | 66.04 | 2-829 492-6 |
| 2 | 5.08 | 829 492-2 | 27 | 68.58 | 2-7 |
| 3 | 7.62 | -3 | 28 | 71.12 | 2-8 |
| 4 | 10.16 | -4 | 29 | 73.66 | 2-9 |
| 5 | 12.70 | -5 | 30 | 76.20 | 3-0 |
| 6 | 15.24 | -6 | 31 | 78.74 | 3-1 |
| 7 | 17.78 | -7 | 32 | 81.28 | 3-2 |
| 8 | 20.32 | -8 | 33 | 83.82 | 3-3 |
| 9 | 22.86 | -9 | 34 | 86.36 | 3-4 |
| 10 | 25.40 | -0 | 35 | 88.90 | 3-5 |
| 11 | 27.94 | -1 | 36 | 91.44 | 3-6 |
| 12 | 30.48 | -2 | 37 | 93.98 | 3-7 |
| 13 | 33.02 | -3 | 38 | 96.52 | 3-8 |
| 14 | 35.56 | -4 | 39 | 99.06 | 3-9 |
| 15 | 38.10 | -5 | 40 | 101.60 | 4-0 |
| 16 | 40.64 | -6 | 41 | 104.14 | 4-1 |
| 17 | 43.18 | -7 | 42 | 106.68 | 4-2 |
| 18 | 45.72 | -8 | 43 | 109.22 | 4-3 |
| 19 | 48.26 | -9 | 44 | 111.76 | 4-4 |
| 20 | 50.80 | -0 | 45 | 114.30 | 4-5 |
| 21 | 53.34 | -1 | 46 | 116.84 | 4-6 |
| 22 | 55.88 | -2 | 47 | 119.38 | 4-7 |
| 23 | 58.42 | -3 | 48 | 121.92 | 4-8 |
| 24 | 60.96 | -4 | 49 | 124.46 | 4-9 |
| 25 | 63.50 | 829 492-5 | 50 | 127.00 | 5-829 492-0 |

OBSOLETE

OBSOLETE

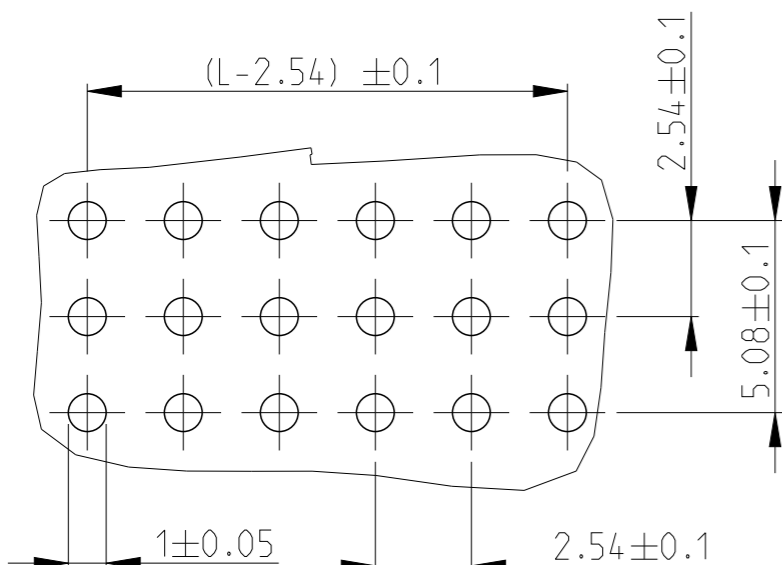


1 MATING SIDE: MIN 0.76 µm (PdNi + Au FLASH) BY AREA "F" OVER 1.27 µm NICKEL
 (Alternative plating - Min 0.76 µm Au OVER 1.27 µm Ni)

SOLDER SIDE: MIN. 3.0 µm TIN OVER 1.27 µm NICKEL


2 OBSOLETE PARTS: OBSOLETE C IS STREAMLINING PER D.RENAUD/D.SINISI

3 OBSOLETE



PC BOARD LAYOUT
LEITERPLATTEN-
ANSCHLUSSBILD

| | | |
|---------------------|----------|------------------------------|
| 1 | CuZn | CONTACT PIN KONTAKTSTIFT |
| COLOUR BLACK | PCT | PIN HOUSING STIFTGEHAEUSE |
| REMARK BEMERKUNG | MATERIAL | DESCRIPTION BEZEICHNUNG |

| | | | | | |
|---|--|-------------------------------------|---|--------------------|------------------------|
| THIS DRAWING IS A CONTROLLED DOCUMENT. | | DWN F.MUELLER 06NOV1989 |  TE Connectivity | | |
| DIMENSIONS: mm | | CHK M.SCHAARSCHMIDT 06NOV1989 | | | |
| TOLERANCES UNLESS OTHERWISE SPECIFIED: ±0.2mm | | APVD - | NAME AMPMODU II PIN HEADER TRIPLE ROW | | |
| 0 PLC ± 1 PLC ± 2 PLC ± 3 PLC ± 4 PLC ± ANGLES ± | | PRODUCT SPEC 108-18012 | SIZE A3 | CAGE CODE 00779 | DRAWING NO C-829492 |
| MATERIAL SEE TABLE | | FINISH SEE TABLE | APPLICATION SPEC - | RESTRICTED TO - | |
| | | WEIGHT - | SCALE 5:1 | | SHEET 1 OF 1 |
| | | CUSTOMER DRAWING | | REV C1 | |