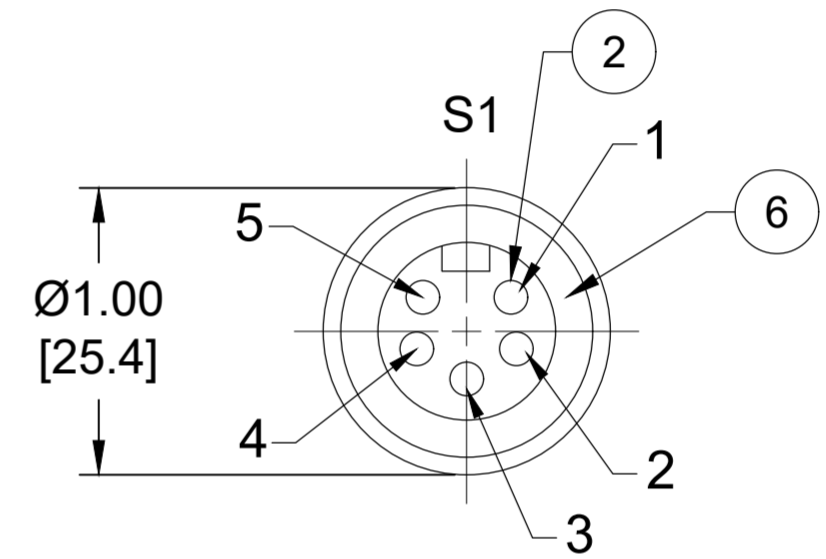
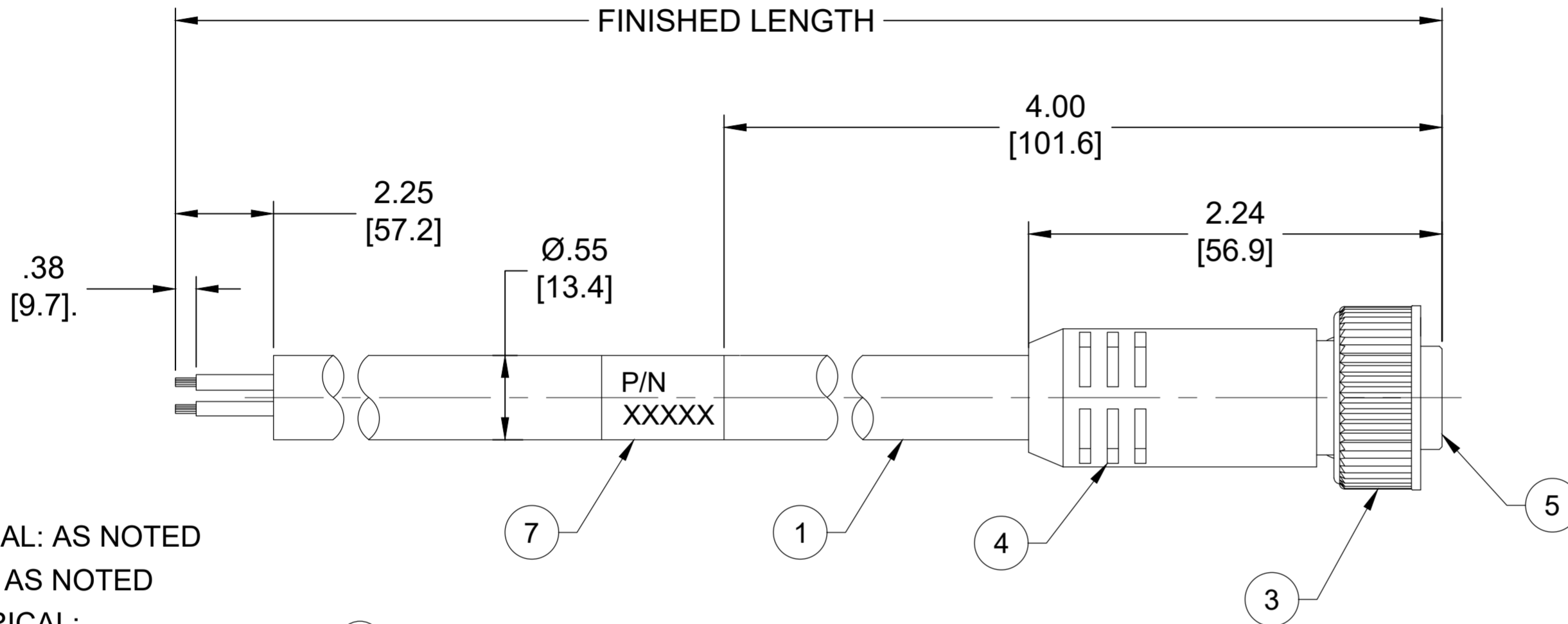
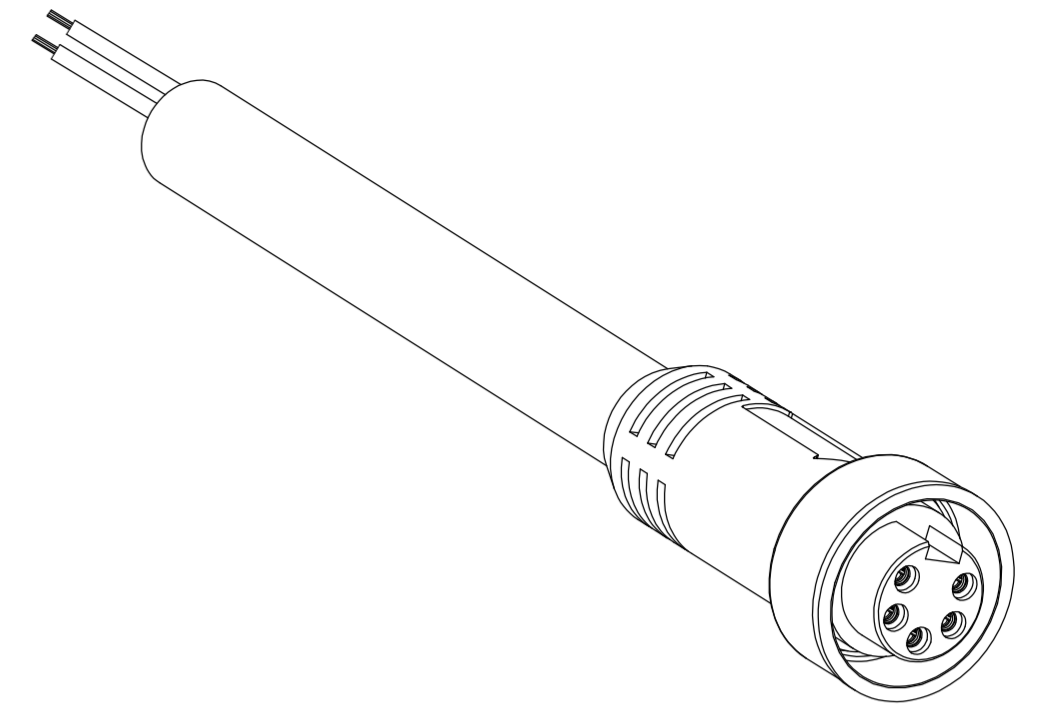


PART NO.	ENGINEERING NO.	FINISHED LENGTH
1300061309	105000C01F030	3FT [0.9M]
1300061314	105000C01F120	12FT [3.7M]
1300061320	105000C01F250	25FT [7.6M]

PART NUMBER LEGEND

105000C01F030

CABLE LENGTH
 F010 = 1 FEET
 F010 = 10 FEET
 F100 = 100 FEET



FEMALE FACE VIEW

NOTES:

- MATERIAL: AS NOTED
- FINISH: AS NOTED
- ELECTRICAL:
 VOLTAGE : 400V PER IEC 60664
 600V PER UL 2238
 CURRENT: 8A
- TEMP RATING: -20° TO +105°C
- PROTECTION: IP67 (WHEN MATED)
- COUPLING THREAD: 7/8"-16UN
- CSA CERTIFIED FILE: LR6837
- ALL DIMENSIONS ARE FOR REFERENCE UNLESS TOLERANCED OR NOTED OTHERWISE

	S1
RED WITH WHITE	1
RED	2
GREEN-GND	3
RED WITH ORANGE	4
RED WITH BLACK	5

WIRING DIAGRAM

CABLE LENGTH TOLERANCES
<.3M [1FT]: +19mm-0 [+.75in-0]
.3 - .9M [1 - 3FT]: +44.5mm-0 [+1.75in-0]
.9 - 1.8M [3 - 6FT]: +55.6mm-0 [+2.19in-0]
1.8 - 3.7M [6 - 12FT]: +88.9mm-0 [+3.50in-0]
3.7 - 7.3M [12 - 24FT]: +165.1mm-0 [+6.50in-0]
7.3-14.6M [24 - 48FT]: +317.5mm-0 [+12.50in-0]
14.6 - 30.5M [48-100FT]: +622.3mm-0 [+24.50in-0]
OVER 30M [100FT] +2% OF FINISHED LENGTH

ITEM	COMPONENT	MATERIAL	FINISH
7	WRAP LABEL	VINYL	BLACK/YELLOW
6	FRICTION RING	NYLON	WHITE
5	INSERT	TPE	YELLOW
4	OVERMOLD	TPE	YELLOW
3	COUPLING NUT	ZINC DIE CAST	BLACK-E-COAT
2	CONTACT SOCKET	COPPER ALLOY	GOLD OVER NICKEL
1	CABLE, 16 AWG	RUBBER	YELLOW

FUNCTIONAL SYMBOLS	THIS DRAWING CONTAINS INFORMATION THAT IS PROPRIETARY TO MOLEX ELECTRONIC TECHNOLOGIES, LLC AND SHOULD NOT BE USED WITHOUT WRITTEN PERMISSION		
FA=0	DIMENSION UNITS	SCALE	CURRENT REV DESC: ITEM# 4 & 5 WERE PVC.ITEM #7 WAS MYLAR. ADDED ITEM #6, IEC VOLTAGE, PN LEGEND & TOL CHART. MODIFIED PN CHART & TEMP RATING.
FC=0	INCH/MM	NTS	EC NO: 698916
FP=0	GENERAL TOLERANCES (UNLESS SPECIFIED)		DRWN: ABENJAMINLW 2021/05/20
DIVISIONAL SYMBOLS	mm	INCH	CHK'D: RSTONE 2022/03/09
	4 PLACES ±----	±----	APPR: BWOODMAN 2022/03/11
	3 PLACES ±----	±----	INITIAL REVISION:
	2 PLACES ±----	±----	DRWN: BWOODMAN 2009/12/28
	1 PLACE ±----	±----	APPR: JFMURPHY 2010/01/05
	0 PLACES ±----	±----	
	ANGULAR TOL ± ---- °		
	DRAFT WHERE APPLICABLE MUST REMAIN WITHIN DIMENSIONS	THIRD ANGLE PROJECTION	DRAWING C-SIZE
			SERIES 130006
			MATERIAL NUMBER SEE CHART
			CUSTOMER GENERAL MARKET
			SHEET NUMBER 1 OF 1

molex

MINI-CHANGE CORDSET, A-SIZE
 5-POLE, FEMALE, STRAIGHT, SINGLE KEY,
 #16 AWG

PRODUCT CUSTOMER DRAWING

DOCUMENT NUMBER: SD-130006-022
 DOC TYPE/DOC PART/REVISION: PSD 001 B