

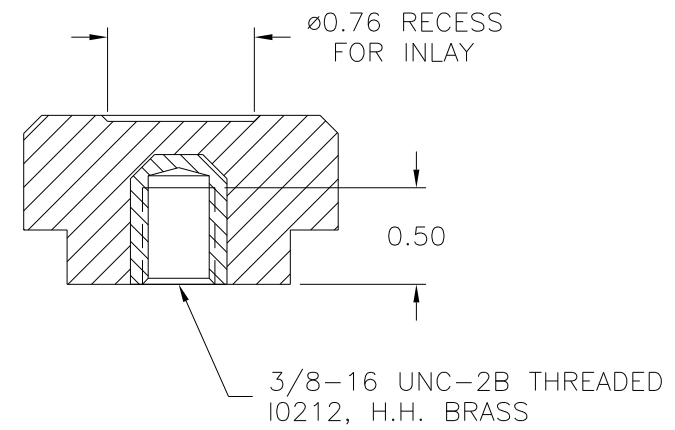
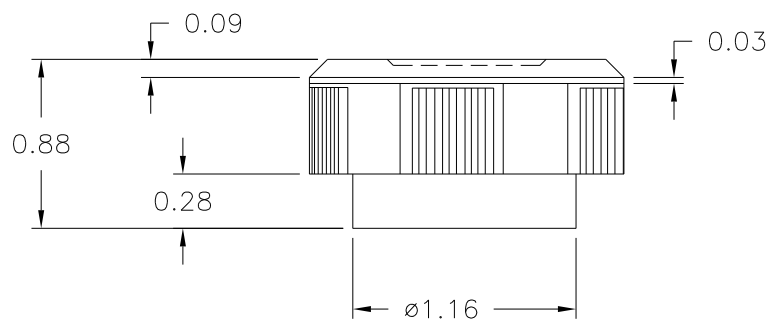
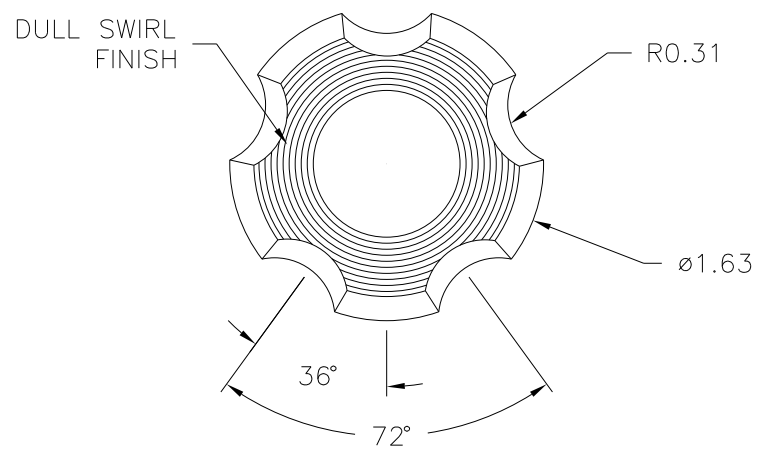
PART NAME: KNOB      SCALE: 1:1      DATE: 8/19/83      DR. BY JC

THIS DRAWING IS THE PROPERTY OF DAVIES MOLDING COMPANY, IS SUBMITTED SOLELY AS A DESIGN OR ENGINEERING PROJECT. WE ACCEPT NO RESPONSIBILITY WHATSOEVER FOR THE PRACTICAL APPLICATION OF THE PIECES MADE TO THIS DESIGN.



DESIGNERS & MANUFACTURERS OF KNOBS, HANDLES, CASES & CUSTOM PLASTIC COMPONENTS

P/N	2870-B
M <sup>NO.</sup>	3035
CAVITY	2870
PLUNGER	2870
CAVITY PLUG	2870
PLUNGER PIN	2870
CAVITY SPACER	.126
PIN BAR SHIM	.095
PINS	3008-27
INSERT	I0212



MATERIAL: #4311 PLENCO PHENOLIC (B41)  
 COLOR: BLACK

TOLERANCES: UNLESS OTHERWISE SPECIFIED	DO NOT SCALE DRAWING			
DECIMALS: X.XXX ± .005 X.XX ± .015	MM: X.XX ± 0.15MM X.X ± 0.4MM	-	RE-DID REDRAW	TL 11/22/99
FRACTIONS ± 1/64	ANG. ± 1°	-	CAD REDRAW	HD 10/29/92
CHANGES				