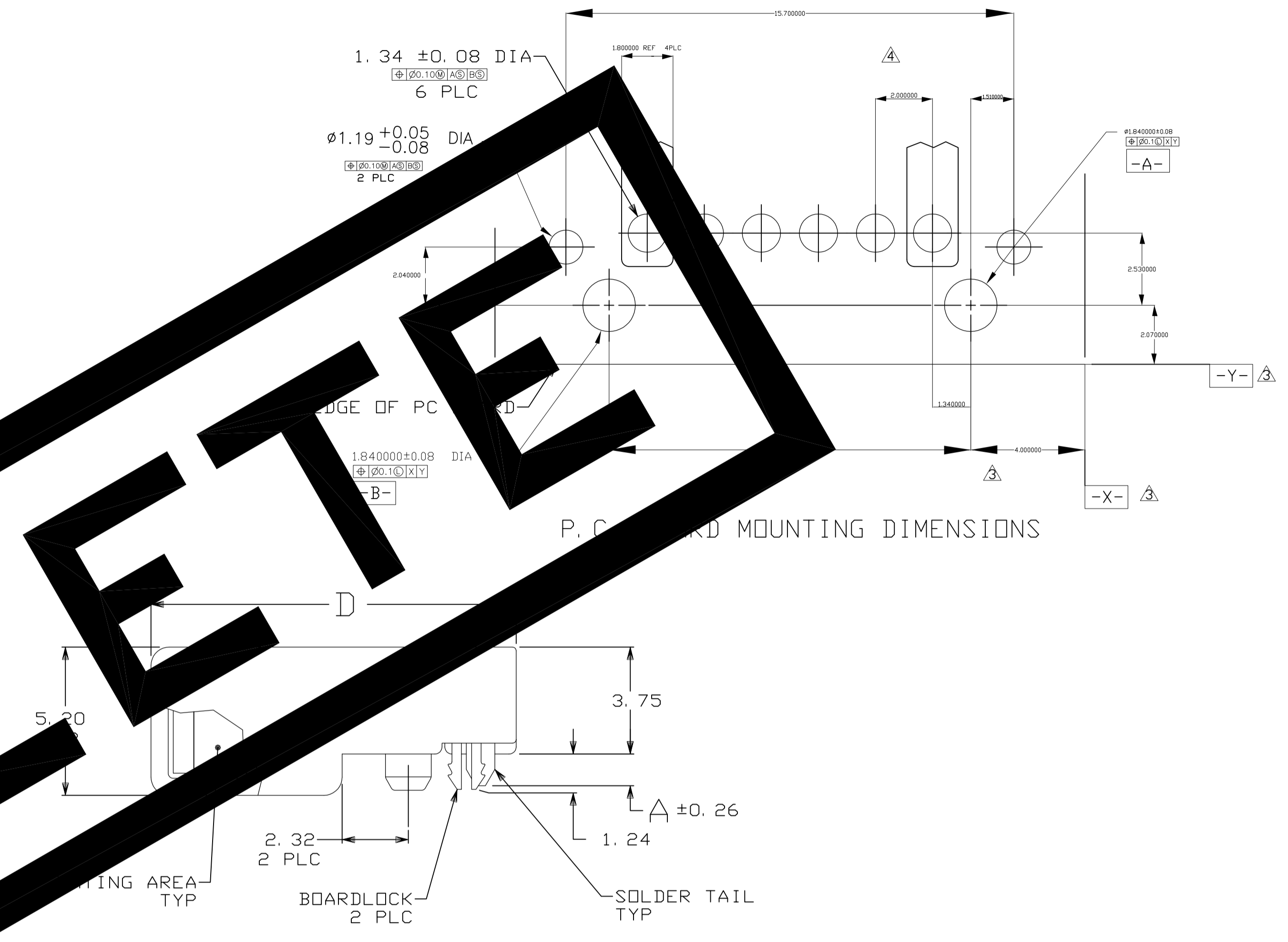
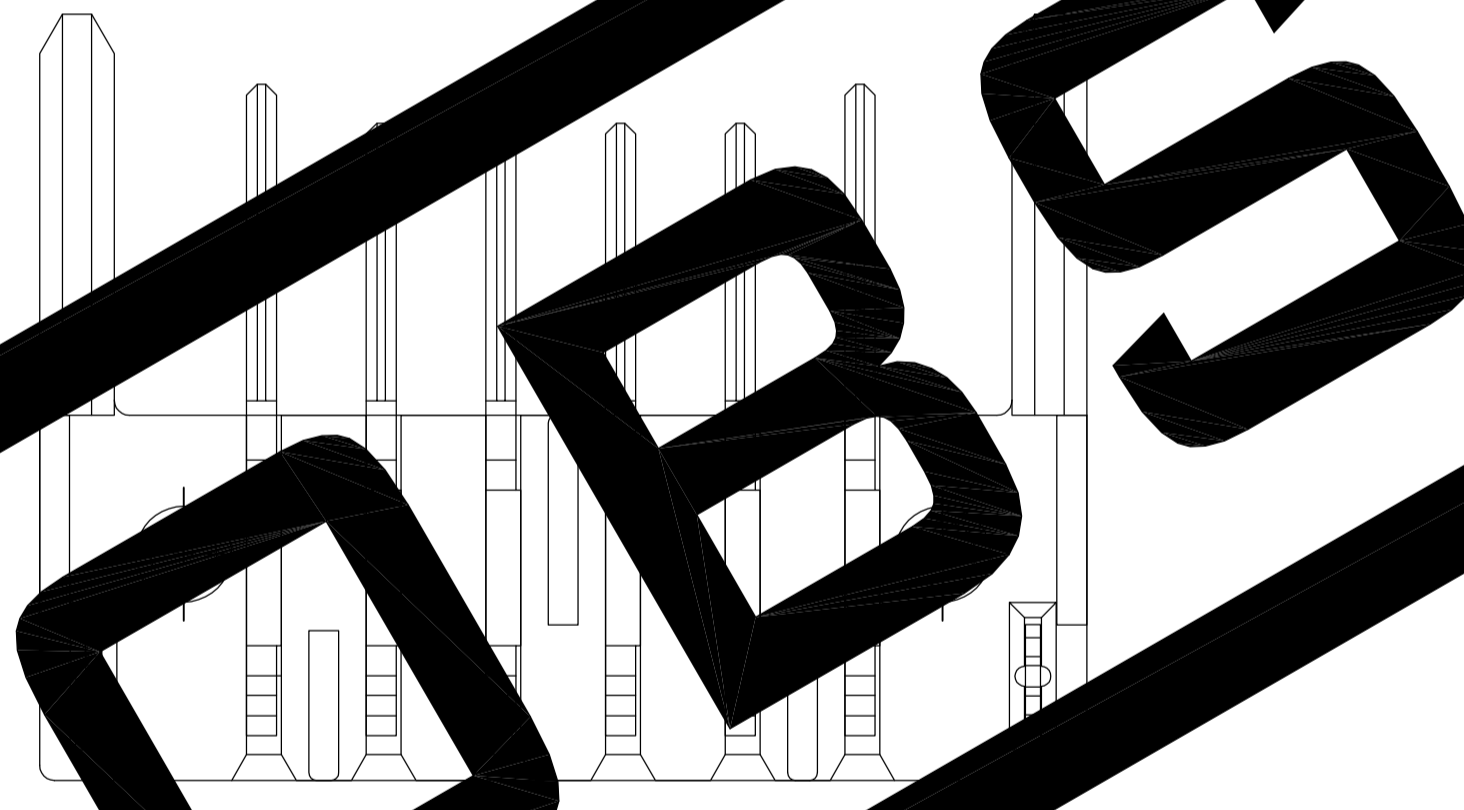
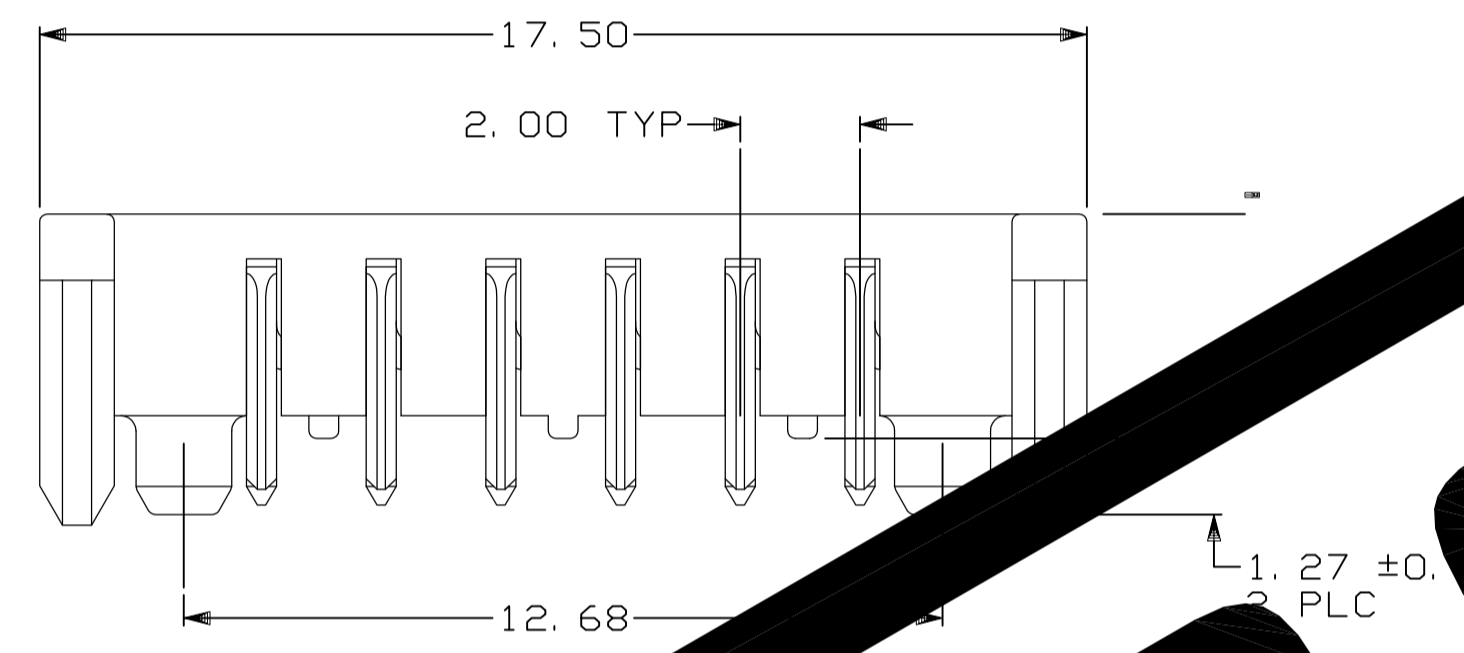
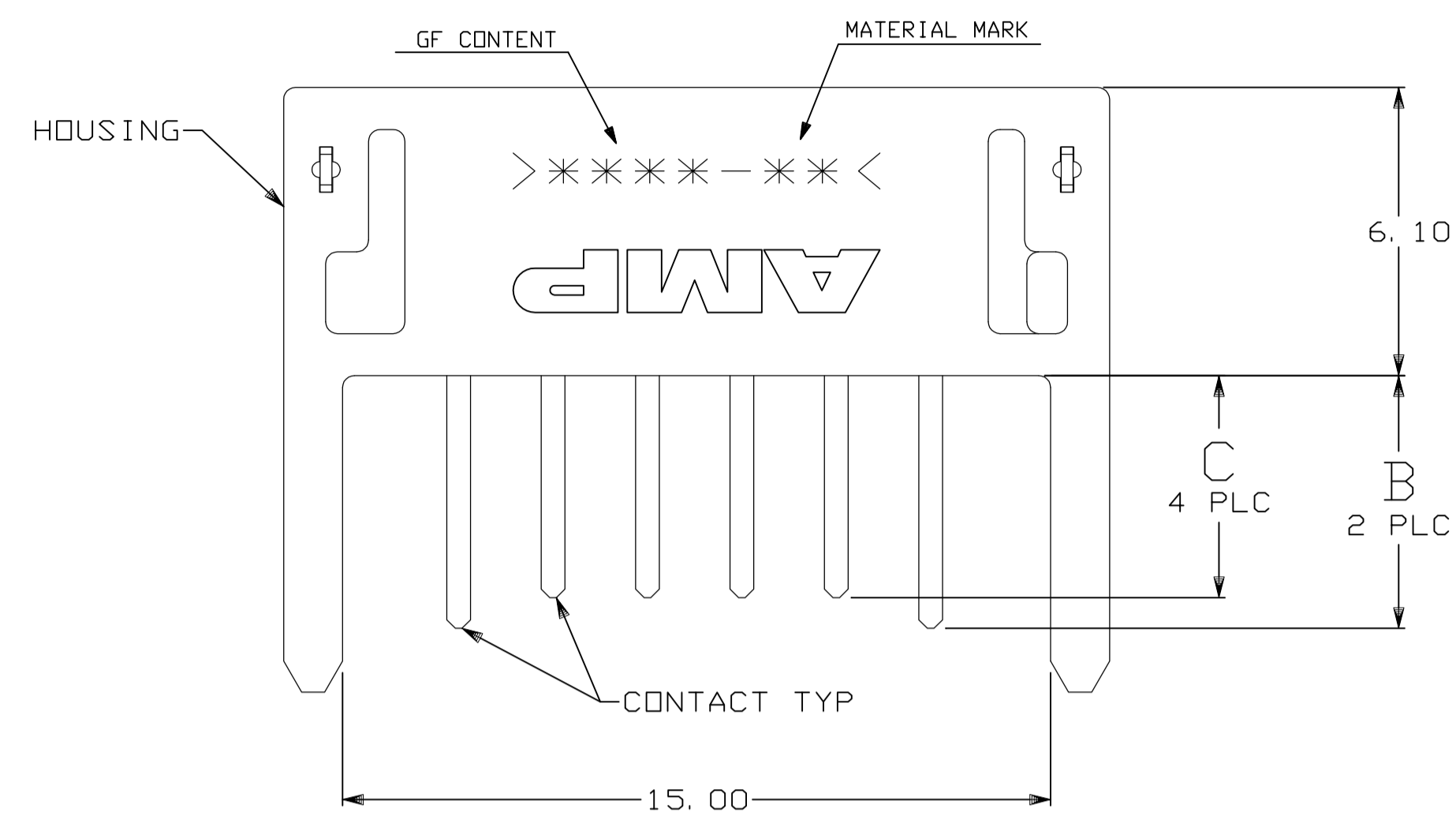


LOC	DIST	REVISIONS			
P	LTR	DESCRIPTION	DATE	DWN	APVD
A		Released ECR-06-007005	22MAR05	A.S	S.Y
A1		REVISED PER ECO-09-024927	07NOV09	KK	AEG
A2		OBSOLETE, REVISED PER ECO-17-016893	01DEC17	AL	WH



OBSOLETE

- ① HOUSING: LCP, 94V-0 RATED, BLACK. CONTACTS: BRASS. BOARDLOCKS: COPPER ALLOY.
- ② CONTACTS: 0.076um MINIMUM NICKEL OVER 0.76um MINIMUM PALLADIUM. NICKEL ON MATING SURFACE. 0.127um MINIMUM TIN ON SOLDER TAIL, ALL OVER 1.27um MINIMUM NICKEL. BOARDLOCKS: 3.80um MINIMUM TIN OVER 1.27um MINIMUM NICKEL.
- ③ DATUMS AND BASIC DIMENSION ESTABLISHED BY CUSTOMER.
- ④ RECOMMENDED MINIMUM TRACE WIDTH FOR END POSITIONS WHEN CARRYING 4 AMPS: 1.8 WIDE x 55um THICK, BOTH SIDES.
- ⑤ PRELIMINARY. NOT RELEASED FOR PRODUCTION.
- ⑥ OBSOLETE PARTS: OBSOLETE CIS STREAMLINING PER D.RENAUD/D.SINISI

OBSOLETE	①	10.80	4.70	5.35	2.00	④ -5146877-5
④	①	12.80	4.70	5.35	2.00	④ -5146877-4
	①	12.80	5.20	6.10	2.00	④ -5146877-3
④	①	12.80	5.20	6.10	1.11	④ -5146877-2
OBSOLETE	①	12.80	4.70	5.35	1.11	④ -5146877-1

MATERIAL	D	C	B	A	PART NUMBER
THIS DRAWING IS A CONTROLLED DOCUMENT.					
DIMENSIONS: mm		DWN: GAVIN ZHANG 07DEC04		Tyco Electronics Corporation	
TOLERANCES UNLESS OTHERWISE SPECIFIED:		CHK: STEVEN YAO 07DEC04		Shanghai, P.R.China, 200233	
APVD: T. ENOMOTO 07DEC04		NAME		PERFORMANCE HEADER ASSEMBLY, 6 POSITION, MDI	
APPLICATION SPEC		SIZE: A1		CAGE CODE: 00779	
MATERIAL: -		FINISH: ④		DRAWING NO: C=5146877	
CUSTOMER DRAWING		WEIGHT: -		RESTRICTED TO: -	
SCALE: 8:1		SHEET: 1 OF 1		REV: A2	