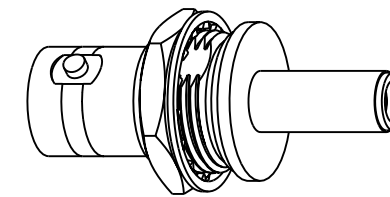


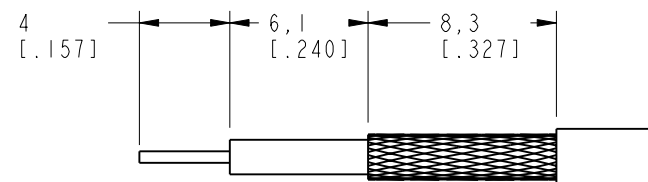
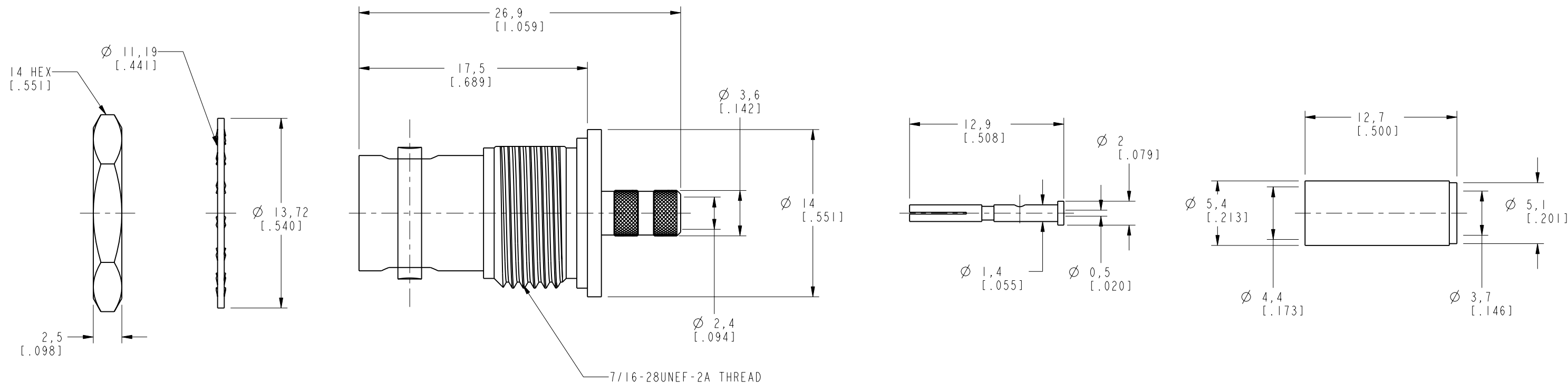
NOTES:

- MATERIALS OF CONSTRUCTION:
 HOUSING, LOCK RING, HEX NUT & FERRULE = BRASS (QQ-B-626), NICKEL PLATED (.000100 MIN THICK)
 CONTACT PIN = BeCu, GOLD PLATED (.000030 MIN THICK)
 LOCK WASHER = PHOSPHOR BRONZE, NICKEL PLATED (.000100 MIN THICK)
 INSULATOR = TEFLON PER MIL-P-19468
 INSULATOR = NORYL, NATURAL
- CRIMPED FERRULE = HEX CRIMP SIZE .178
- MAX PANEL THICKNESS = 6mm [.236]
- A MAXIMUM TORQUE OF 15 INCH-LBS (17.3KG-CM) MAY BE APPLIED ON HEX NUT WHEN MOUNTING CONNECTOR IN PANEL.

31-70252		REVISIONS			
DRAWING NO.	REV	DESCRIPTION	DATE	ECO	APPR
THIRD ANGLE PROJ.	A	RELEASE TO MFG.	8/22/01	43838	CPM



SCALE 1.500



CUSTOMER OUTLINE DRAWING
ALL OTHER SHEETS ARE FOR INTERNAL USE ONLY

UNLESS OTHERWISE SPECIFIED, DIMENSIONS ARE IN INCHES AND TOLERANCES ARE: 0.5 - 6mm ±0.2mm 6 - 30mm ±0.4mm 30 - 120mm ±0.6mm	MATERIAL	DRAWN C. McGRATH	DATE 8/17/01	TITLE MINI BNC BULKHEAD ISOLATED CRIMP JACK (FOR 735A CABLE)	Amphenol Amphenol Corporation Communication and Network Products Division Danbury, CT U.S.A. 06810			
	REFERENCE EAR 364 GEN# 31-70252_ASSY	ENGINEER O. BARTHELME	DATE 8/17/01	APPROVED O. BARTHELME		DATE 8/22/01		
NOTICE - These drawings, specifications, or other data (1) are, and remain the property of Amphenol Corp. (2) must be returned upon request; and (3) are confidential and not to be disclosed to any person other than those to whom they are given by Amphenol Corp. The furnishing of these drawings, specifications, or other data by Amphenol Corp., or to any other person to anyone for any purpose is not to be regarded by implication or otherwise in any manner licensing, granting rights or permitting such holder or any other person to manufacture, use or sell any product, process or design, patented or otherwise, that may in any way be related to or disclosed by said drawings, specifications, or other data.		CAD FILE I:\BNC75\31-70252	CODE ID 74868	DWG SIZE B	DRAWING NO. 31-70252	SCALE: 3.0:1	SHEET 2 OF 2	REV A