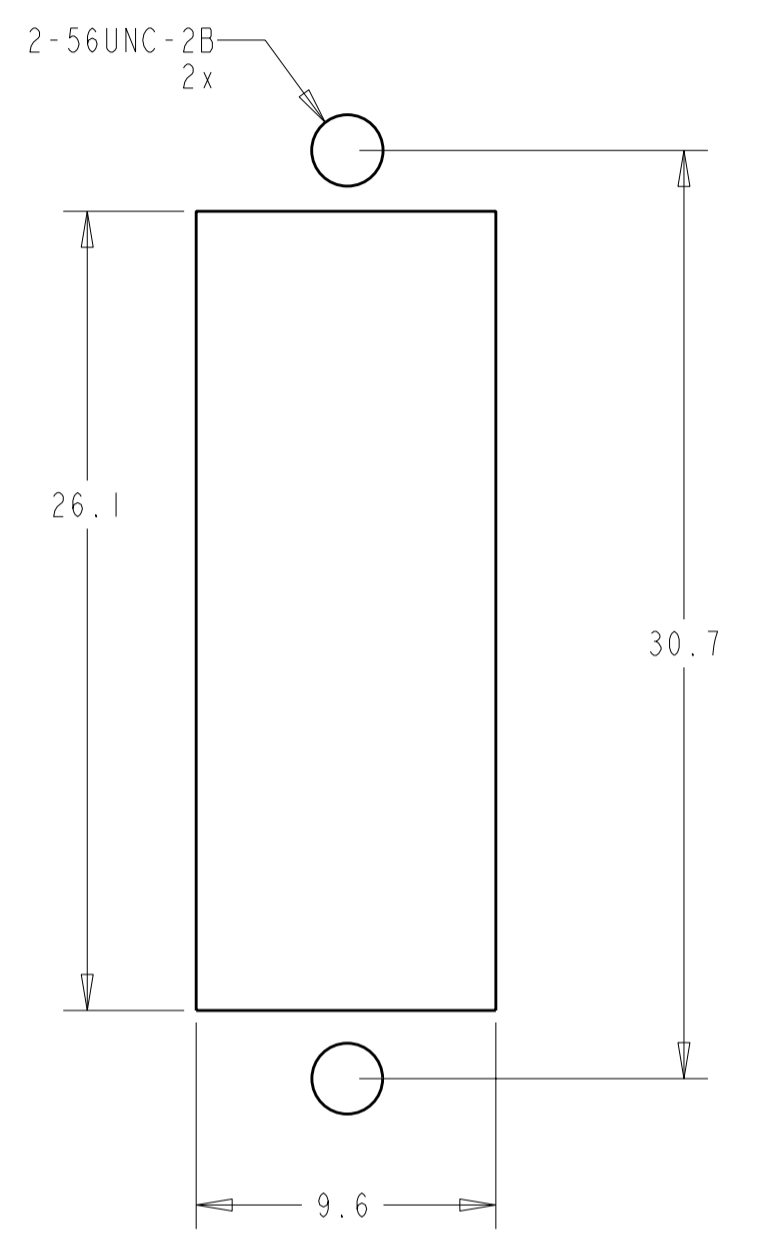
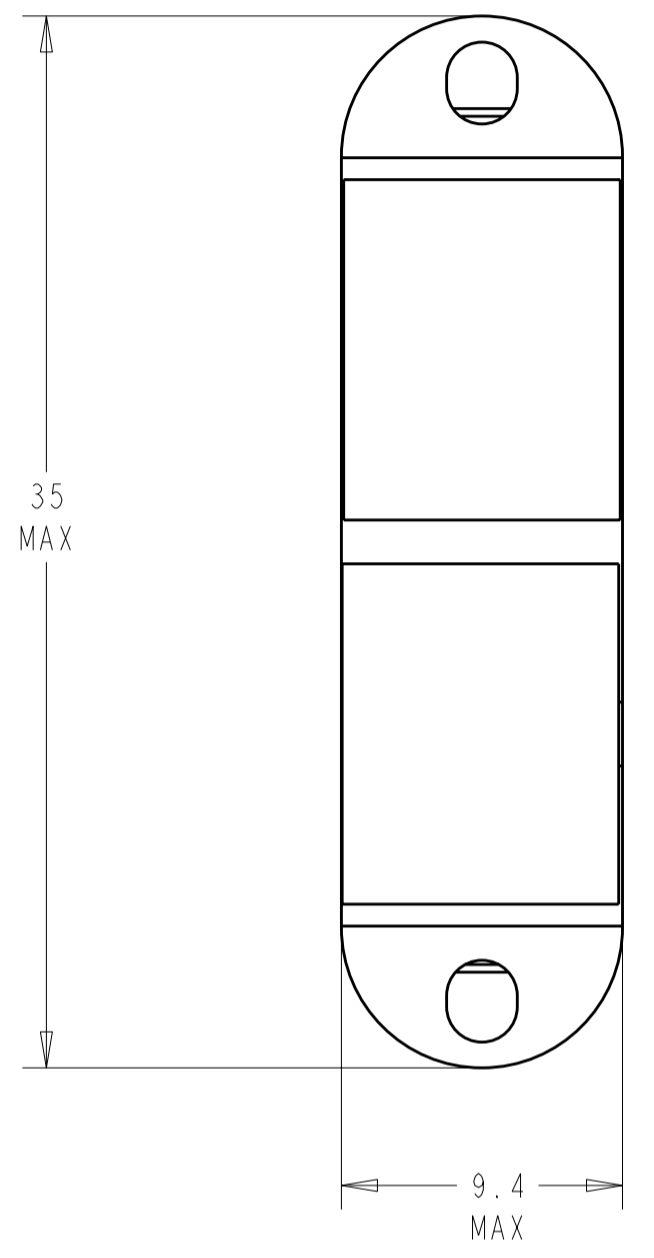
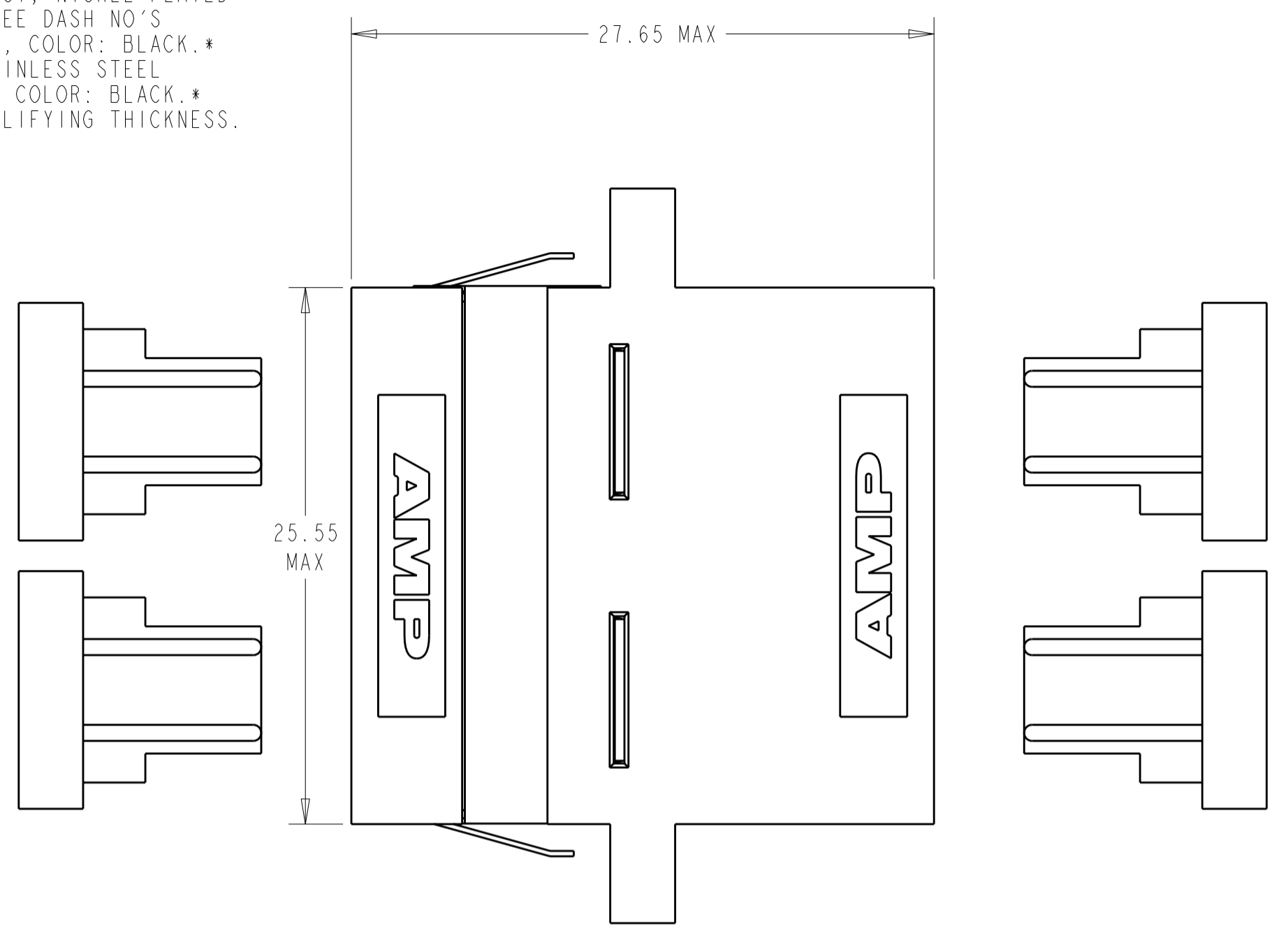


THIS DRAWING IS UNPUBLISHED. RELEASED FOR PUBLICATION .19  
 © COPYRIGHT 19 BY AMP INCORPORATED. ALL RIGHTS RESERVED.

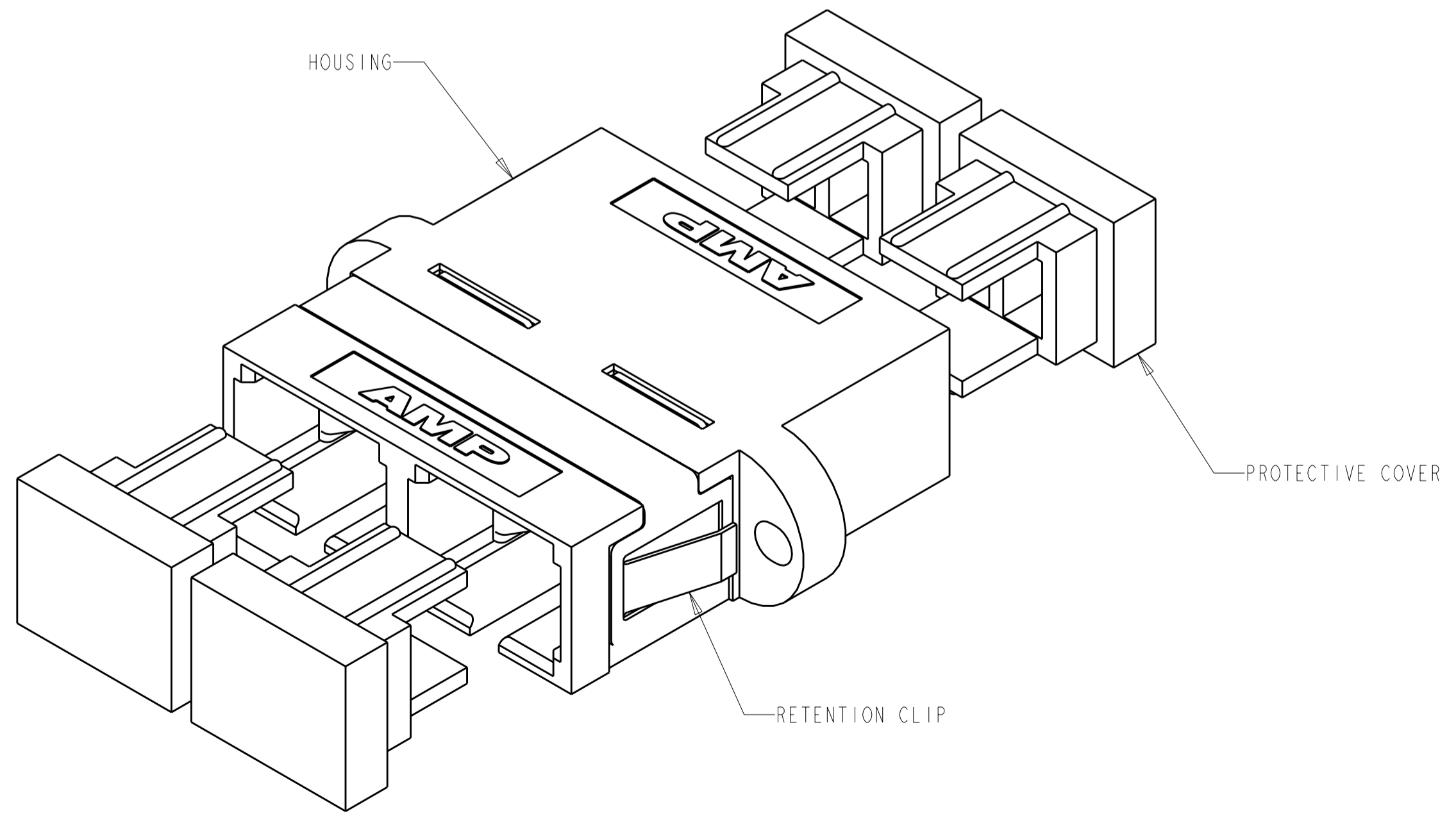
LOC	DIST	REVISIONS			
F	LTR	DESCRIPTION	DATE	DWN	APVD
CE	00	A	RELEASE TO ACTIVE	07JUN2006	BB SM

1 MATERIAL:  
 HOUSING: ZINC DIECAST, NICKEL PLATED  
 ALIGNMENT SLEEVE: SEE DASH NO'S  
 PROTECTIVE CAP: TPE, COLOR: BLACK.\*  
 RETENTION CLIP: STAINLESS STEEL  
 RETAINER: PEI-GF30, COLOR: BLACK.\*  
 \*UL94 V-0 RATED AT QUALIFYING THICKNESS.

2 BULK PACKAGE.  
 3 BLUE DUST COVERS



SUGGESTED PANEL CUTOUT  
 MAX. PANEL THICKNESS 1.7



3	2	CERAMIC	6278049-5
2	2	CERAMIC	6278049-4
		CERAMIC	6278049-3
		METAL	6278049-1
		ALIGNMENT SLEEVE	PART NO

DIMENSIONS:		TOLERANCES UNLESS OTHERWISE SPECIFIED:		DWN		CHK		APVD		NAME	
mm		0 PLC	±	B. BRIGGS	16MAY2005	S. MILLER	16MAY2005	S. BUCHTER	16MAY2005	AMP Incorporated Harrisburg, PA 17105-3608	
		1 PLC	±0.1	PRODUCT SPEC		APPLICATION SPEC		WEIGHT		ASSEMBLY, DUPLEX RECEPTACLE. SC/SC DIECAST HOUSING	
		2 PLC	±0.05	MATERIAL		SCALE		SHEET		RESTRICTED TO	
		3 PLC	±	FINISH		4:1		OF		REV	
		4 PLC	±	CUSTOMER DRAWING		A2		REV		A	
		ANGLES	±	SCALE		4:1		SHEET		REV	
		FINISH	-	SCALE		4:1		SHEET		REV	