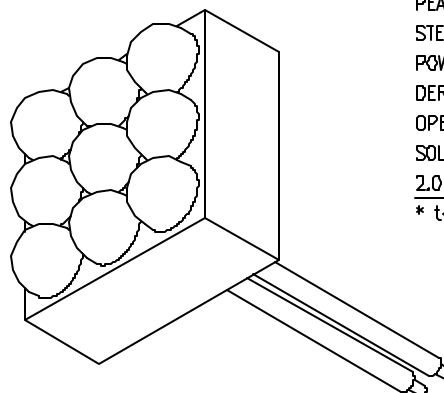
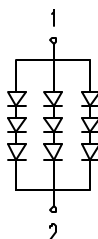


PIN OUT



ELECTRO-OPTICAL CHARACTERISTICS $T_A=25^{\circ}\text{C}$

PARAMETER	SYMBOL	MIN	TYP	MAX	UNITS	TEST COND
PEAK WAVELENGTH			550		nm	
FORWARD VOLTAGE	V_f		10.5	12.0	V	$I_f=80\text{mA}$
REVERSE VOLTAGE	V_r	5.0			V	$I_f=10\mu\text{A}$
AXIAL INTENSITY**	I_v		2000		mcd	$I_f=80\text{mA}$
CHROMATICITY	X	0.28	0.31	0.34		$I_f=60\text{mA}$
COORDINATES***	Y	0.29	0.32	0.35		
VIEWING ANGLE			30		2x theta	
EMITTED COLOR:	WHITE					
EPOXY LENS FINISH:	WATER CLEAR					

** INTENSITY PER DIE.

AXIAL INTENSITY TESTING CONDITION: 550nm WAVELENGTH.

*** CHROMATICITY COORDINATES PER THE ICI STANDARD COLORIMETRIC SYSTEM.

LIMITS OF SAFE OPERATION AT 25°C PER DIE

PARAMETER	MAX	UNITS
PEAK FORWARD CURRENT*	100	mA
STEADY CURRENT	98	mA
POWER DISSIPATION	30	mW
DERATE FROM 25°C	-1.0	mW/°C
OPERATING, STORAGE TEMP.	-30 TO +70	°C
SOLDERING TEMP.	+260	°C
2.0mm FROM BODY		3 SEC. MAX

* $t < 10\mu\text{s}$

CAUTION: STATIC SENSITIVE DEVICE
FOLLOW PROPER E.S.D. HANDLING PROCEDURES
WHEN WORKING WITH THIS PART.
ESD CLASSIFICATION: CLASS II BASED ON MIL-STD 883E.

*UNLESS OTHERWISE SPECIFIED TOLERANCES PER DECIMAL PRECISION ARE: X=±1 (±0.039), X.X=±0.5 (±0.020), X.XX=±0.25 (±0.010), X.XXX=±0.127 (±0.005). LEAD SIZE=±0.05 (±0.002), LEAD LENGTH=±0.75 (±0.030), MIN.=^{+0.00}/_{-0.00} MAX.=^{+0.00}/_{-0.00}

REV.

PART NUMBER

SSP-LXS06799

CONFIDENTIAL INFORMATION

THE INFORMATION CONTAINED IN THIS DOCUMENT IS THE PROPERTY OF SUNBRITE LEDS. EXCEPT AS SPECIFICALLY AUTHORIZED IN WRITING BY SUNBRITE LEDS, THE HOLDER OF THIS DOCUMENT SHALL KEEP ALL INFORMATION CONTAINED HEREIN CONFIDENTIAL AND SHALL PROTECT SAME IN WHOLE OR IN PART FROM DISCLOSURE AND DISSEMINATION TO ALL THIRD PARTIES.

RELIABILITY NOTE

OUR MANY YEARS OF EXPERIENCE DATA ACCUMULATION INDICATE THAT SOLDER HEAT IS A MAJOR CAUSE OF EARLY AND FUTURE FAILURE. PLEASE PAY ATTENTION TO YOUR SOLDERING PROCESS.



286 E. HELEN ROAD
PALATINE, IL 60067-6976
PHONE: +1.847.359.2790
FAX: +1.847.359.2867
WEB: www.sunbriteleds.com

0.67" SQUARE, 9 LAMP POLYLED, COMMON ANODE,
550nm InGaN/SiC WHITE LEADS, WATER CLEAR LENS.

DRAWN: BC	CHECKED:	APPROVED:	DATE: 4.28.00 PAGE: 1 OF 1
--------------	----------	-----------	-------------------------------