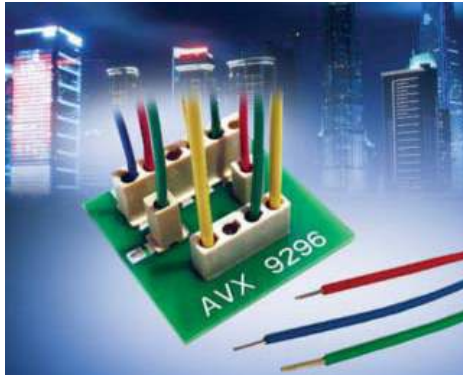


# POKE-HOME: VERTICAL TOP ENTRY

## 18-26 AWG: 00-9296



### General Information



KYOCERA AVX continues to develop innovative connectors for the industrial electronics market that provide significant benefits over existing, outdated connector solutions. Listening to the design engineering community, there are ongoing applications where they cannot find an off-the-shelf solution that will satisfy a high percentage of the projects configuration, performance and cost goals.

The newest addition to KYOCERA AVX's broadening line of Wire-to-Board (WTB) connectors offers a cost effective, single Poke-Home connector solution that will meet the cost and performance targets in demanding, yet user friendly applications. At the heart of the connector is the industry proven dual tine, 3mm high spring force box contact that has been on the market as a standalone horizontal contact only solution.

The new SMT vertical top entry connector allows for 18AWG to 26AWG wires to be simply stripped and inserted into the connector body at 180 degree orientation to the top side of the PCB. This single connector will replace existing 2-Piece WTB solutions where a header is soldered onto the PCB and a secondary crimp-to-wire receptacle assembly is plugged in. Available in 1-6 positions, each connector will accept the entire wire gauge range for either solid or stranded wires at varying current ratings supported by each wire size. Once inserted, wires can easily be removed or replaced by twisting/unscrewing or by using a small blade extraction tool.

#### APPLICATIONS

- Industrial/Ruggedized Wire-to-Board applications
- Replace hard soldering of wire to a PCB
- Replace costly 2-Piece header and receptacle products
- Reference Product Specification 201-01-151
- Reference Application Notes 201-01-152

#### FEATURES AND BENEFITS

- Dual Beam box contact provides maximum mechanical stability and wire retention
- Tape and reel packaged for automated SMT placement
- Will accept either solid or stranded wire, 18-26AWG, plated or un-plated wires
- Simple strip and insert for wire loading, with easy twist and pull for wire removal

#### ELECTRICAL

- Voltage Rating: 600 VAC 1 way;  
300 VAC 2 - 6 way
- Current Rating: See matrix below

#### ENVIRONMENTAL

- Operating Temperature:  
-40°C to +125°C

#### MECHANICAL

- Contact Material: Copper Alloy
- Contact Plating: Tin over Nickel
- Durability: 5 Cycles

#### HOW TO ORDER

**00**    **9296**    **001**  
 |        |        |  
 Prefix   Series   Number of Ways  
 001 = 1  
 002 = 2  
 003 = 3  
 004 = 4  
 005 = 5  
 006 = 6

**553**  
Wire Gauge Size

Code	Accepted Wire Gauge	Max Insulation
553	18 - 26 AWG Solid or Stranded	2.2mm

**X**  
 |  
 Insulator Color  
 All Sizes  
 9 = UL White (Standard)  
 8 = UL Black (Special Order)

**06**  
 |  
 Plating Options  
 06 = Tin Plated

One Way Only (Special Order)  
 2 = UL Brown  
 3 = UL Blue  
 4 = UL Yellow  
 5 = UL Red  
 6 = UL Green  
 7 = UL Orange



#### CURRENT RATING

18AWG	20AWG	22AWG	24AWG	26AWG
7A	6A	5A	4A	3A

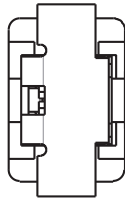
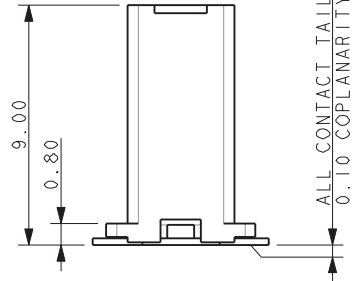
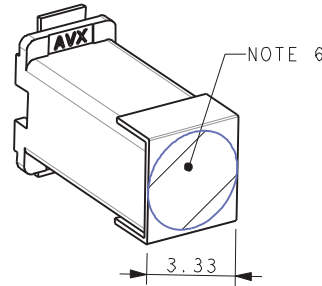
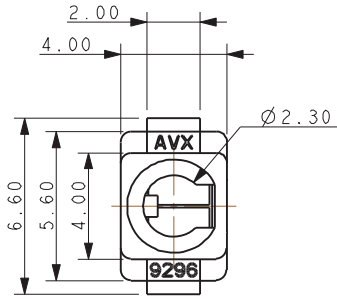
Certification: UL File #E90723

# POKE-HOME: VERTICAL TOP ENTRY 18-26 AWG: 00-9296



1 Position

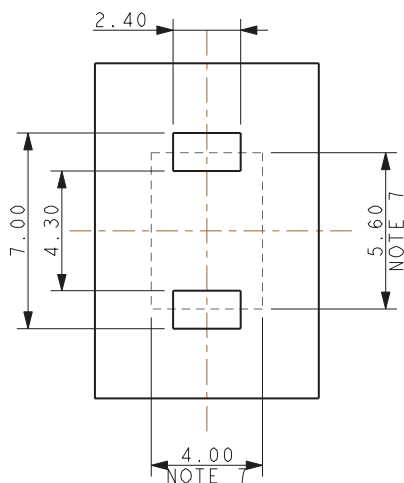
## 9296 TOP MOUNT POKE HOME CONNECTOR 1 WAY



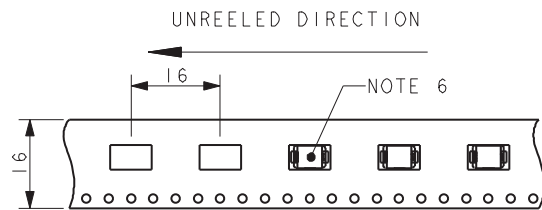
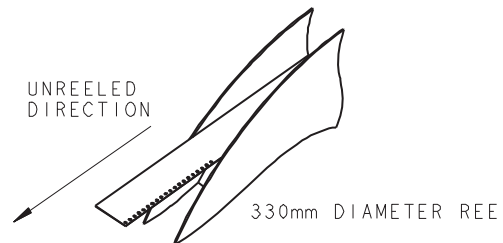
### NOTES:

1. TOP MOUNT 1 WAY POKE HOME CONNECTOR. FOR FURTHER DETAILS REFER TO PRODUCT SPECIFICATION 201-01-151 AND APPLICATION NOTES 201-01-152.
2. SUITABLE FOR WIRES 18AWG TO 26AWG. MAXIMUM INSULATION 2.20MM DIAMETER.
3. INSULATOR: NYLON 46, GLASS FILLED, UL94 V-0. COLOR REFER TO PAGE 92.
4. CONTACT: TIN PLATE COPPER ALLOY.
5. PACKING IN TAPE AND REEL. QTY PER REEL 400, 330MM REEL.
6. CAPTON TAPE TO AID PICK AND PLACE, 4MM DIAMETER MAX AVAILABLE.
7. CONNECTOR OUTLINE.
8. GENERAL TOLERANCE  $\pm 0.20$ .
9. UL REFERENCE E90723.

### SUGGESTED PCB LAYOUT



### PACKING DETAILS



QUANTITY PER REEL 400



The Important Information/Disclaimer is incorporated in the catalog where these specifications came from or available online at [www.avx.com/disclaimer/](http://www.avx.com/disclaimer/) by reference and should be reviewed in full before placing any order.

090721

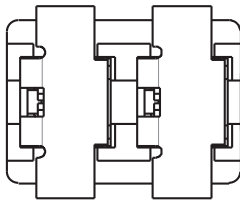
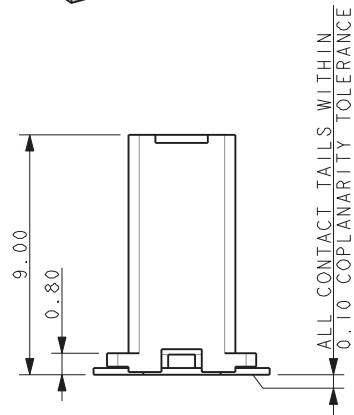
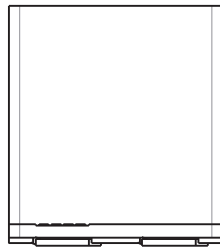
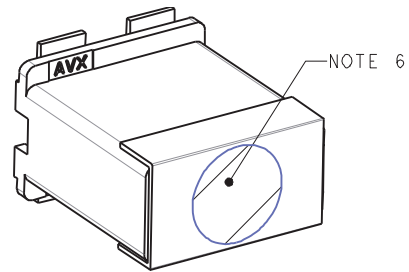
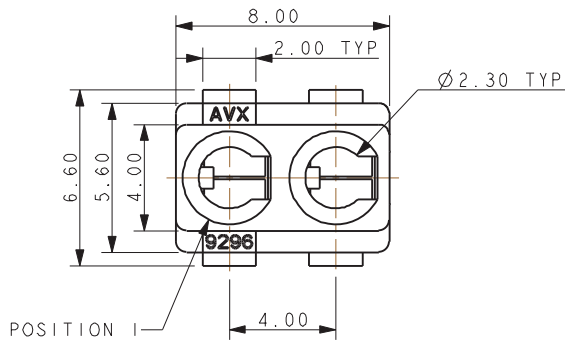
# POKE-HOME: VERTICAL TOP ENTRY

## 18-26 AWG: 00-9296



2 Position

### 9296 TOP MOUNT POKE HOME CONNECTOR 2 WAY

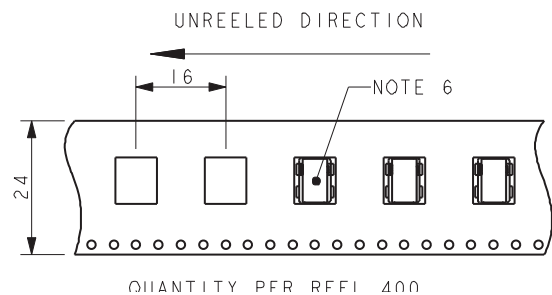
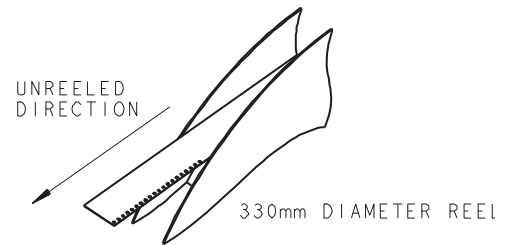
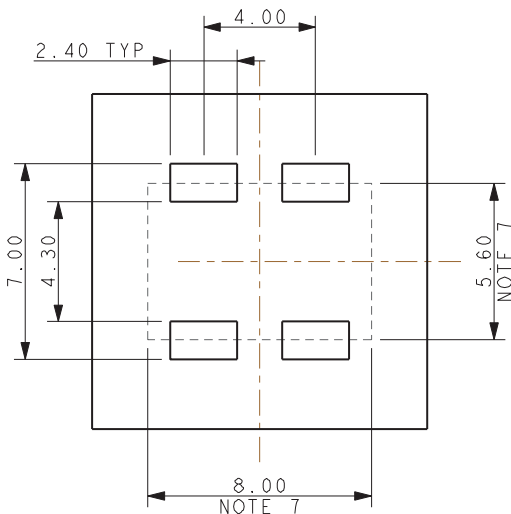


**NOTES:**

1. TOP MOUNT 2 WAY POKE HOME CONNECTOR. FOR FURTHER DETAILS REFER TO PRODUCT SPECIFICATION 201-01-151 AND APPLICATION NOTES 201-01-152.
2. SUITABLE FOR WIRES 18AWG TO 26AWG. MAXIMUM INSULATION 2.20MM DIAMETER.
3. INSULATOR: NYLON 46, GLASS FILLED, UL94 V-0. COLOR REFER TO PAGE 92.
4. CONTACT: TIN PLATE COPPER ALLOY.
5. PACKING IN TAPE AND REEL. QTY PER REEL 400, 330MM REEL.
6. CAPTON TAPE TO AID PICK AND PLACE, 4MM DIAMETER MAX AVAILABLE.
7. CONNECTOR OUTLINE.
8. GENERAL TOLERANCE  $\pm 0.20$ .
9. UL REFERENCE E90723.

### PACKING DETAILS

### SUGGESTED PCB LAYOUT

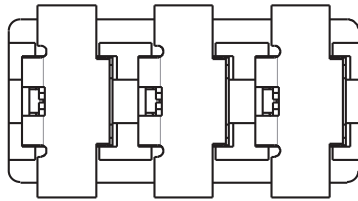
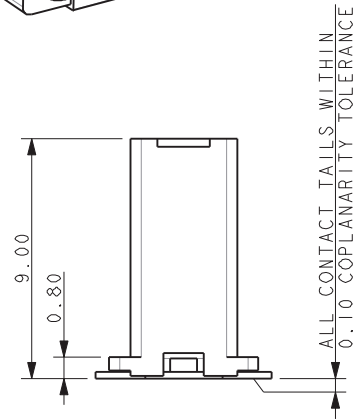
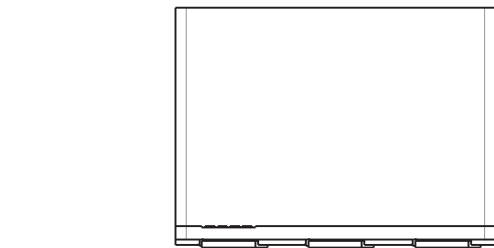
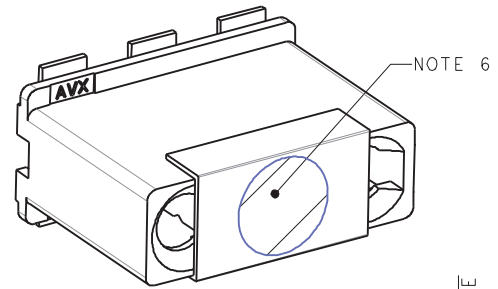
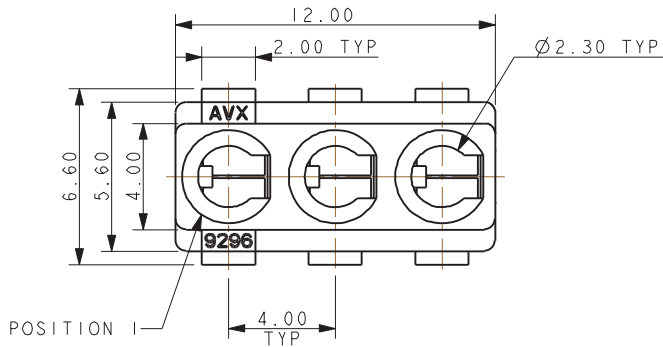


# POKE-HOME: VERTICAL TOP ENTRY 18-26 AWG: 00-9296



3 Position

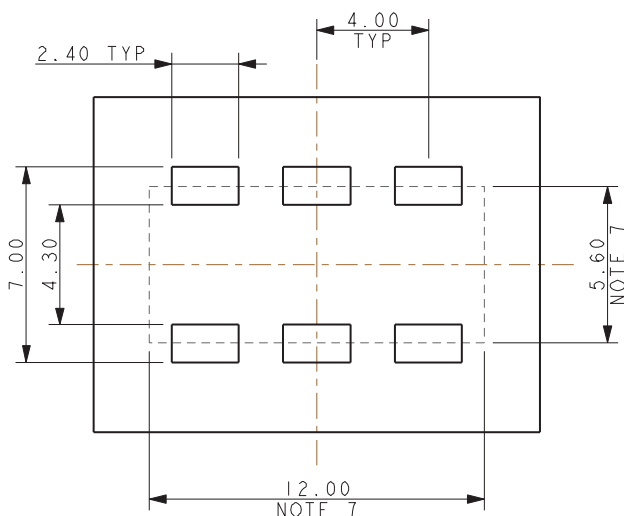
## 9296 TOP MOUNT POKE HOME CONNECTOR 3 WAY



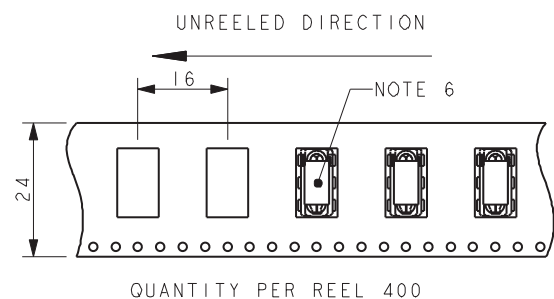
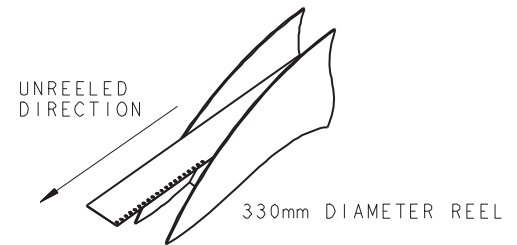
### NOTES:

1. TOP MOUNT 3 WAY POKE HOME CONNECTOR. FOR FURTHER DETAILS REFER TO PRODUCT SPECIFICATION 201-01-151 AND APPLICATION NOTES 201-01-152.
2. SUITABLE FOR WIRES 18AWG TO 26AWG. MAXIMUM INSULATION 2.20MM DIAMETER.
3. INSULATOR: NYLON 46, GLASS FILLED, UL94 V-0. COLOR REFER TO PAGE 92.
4. CONTACT: TIN PLATE COPPER ALLOY.
5. PACKING IN TAPE AND REEL. QTY PER REEL 400, 330MM REEL.
6. CAPTON TAPE TO AID PICK AND PLACE, 4MM DIAMETER MAX AVAILABLE.
7. CONNECTOR OUTLINE.
8. GENERAL TOLERANCE  $\pm 0.20$ .
9. UL REFERENCE E90723.

### SUGGESTED PCB LAYOUT



### PACKING DETAILS



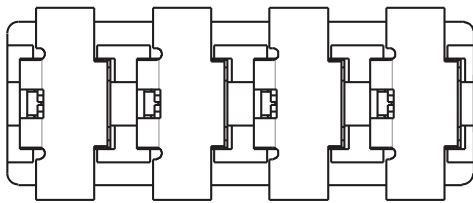
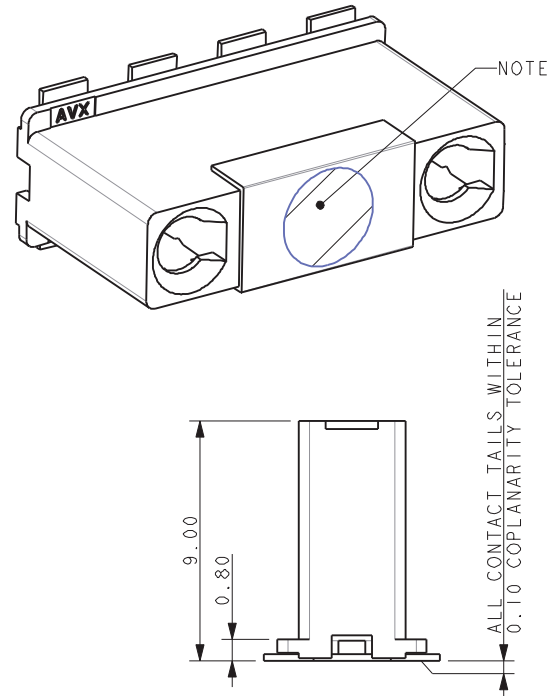
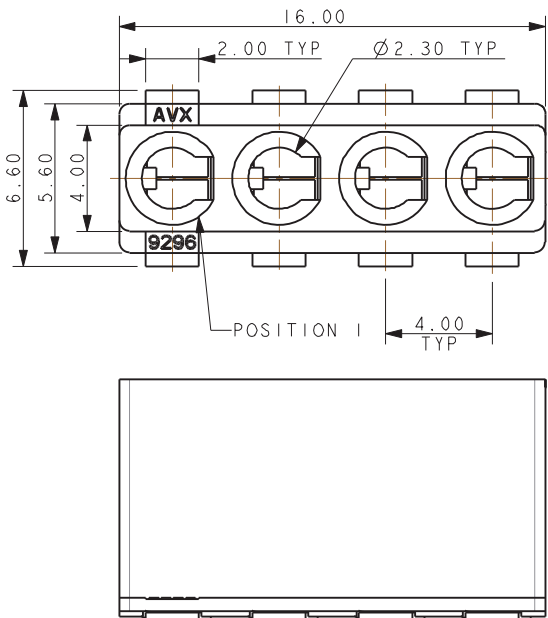
# POKE-HOME: VERTICAL TOP ENTRY

## 18-26 AWG: 00-9296



4 Position

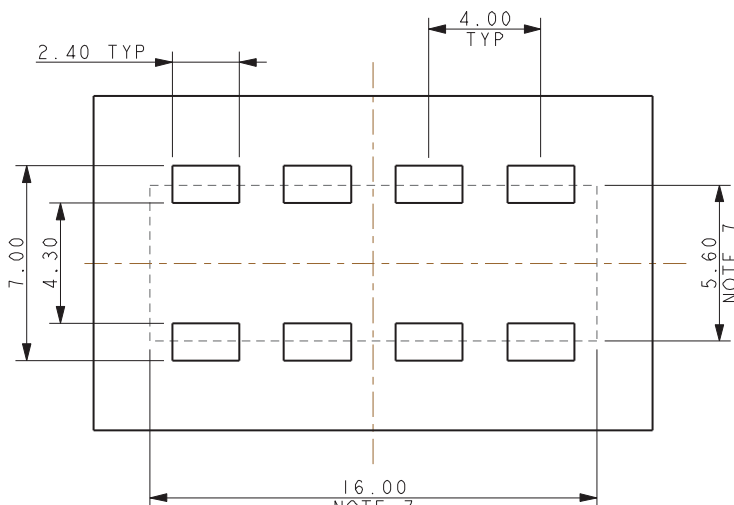
### 9296 TOP MOUNT POKE HOME CONNECTOR 4 WAY



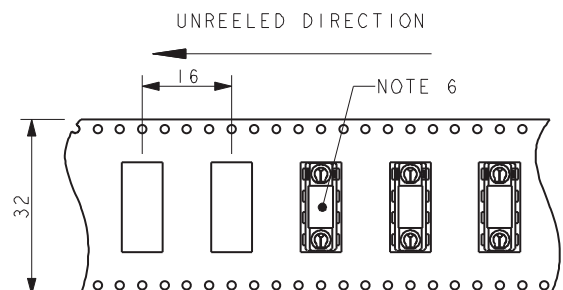
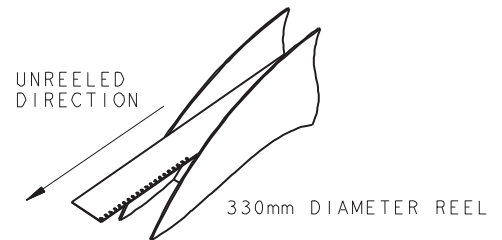
**NOTES:**

1. TOP MOUNT 4 WAY POKE HOME CONNECTOR. FOR FURTHER DETAILS REFER TO PRODUCT SPECIFICATION 201-01-151 AND APPLICATION NOTES 201-01-152.
2. SUITABLE FOR WIRES 18AWG TO 26AWG. MAXIMUM INSULATION 2.20MM DIAMETER.
3. INSULATOR: NYLON 46, GLASS FILLED, UL94 V-0. COLOR REFER TO PAGE 92.
4. CONTACT: TIN PLATE COPPER ALLOY.
5. PACKING IN TAPE AND REEL. QTY PER REEL 400, 330MM REEL.
6. CAPTON TAPE TO AID PICK AND PLACE, 4MM DIAMETER MAX AVAILABLE.
7. CONNECTOR OUTLINE.
8. GENERAL TOLERANCE  $\pm 0.20$ .
9. UL REFERENCE E90723.

### SUGGESTED PCB LAYOUT



### PACKING DETAILS



# POKE-HOME: VERTICAL TOP ENTRY

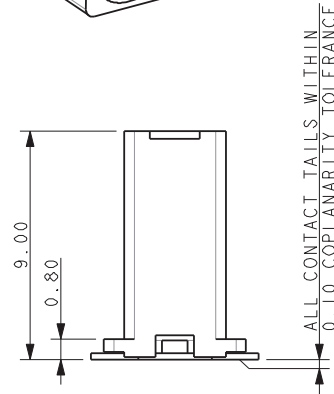
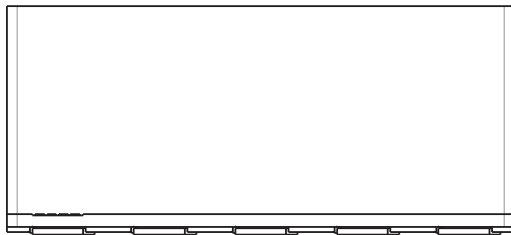
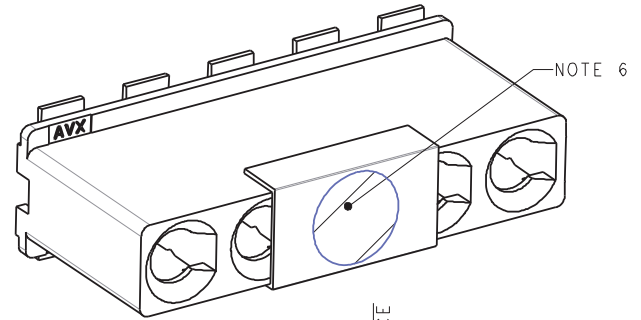
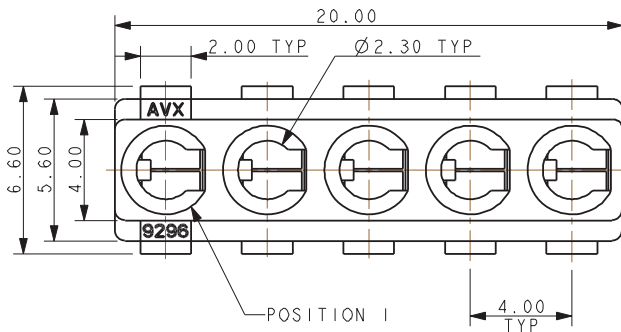
## 18-26 AWG: 00-9296



5 Position

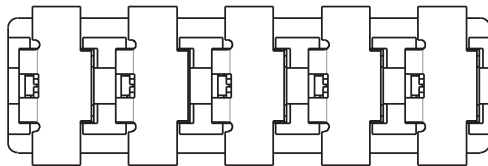
### 9296 TOP MOUNT POKE HOME CONNECTOR

#### 5 WAY

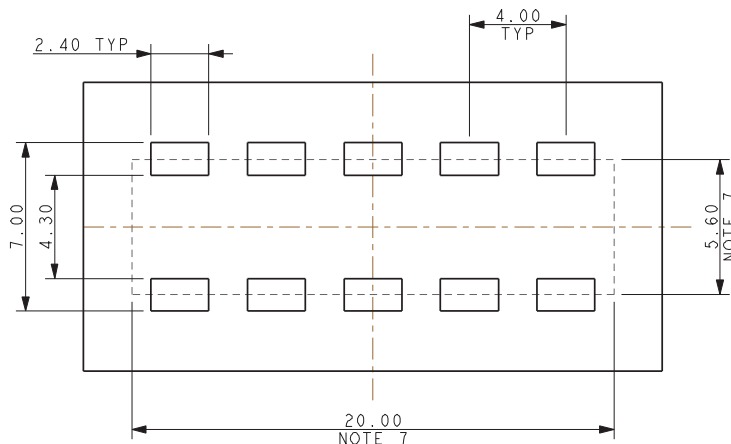


**NOTES:**

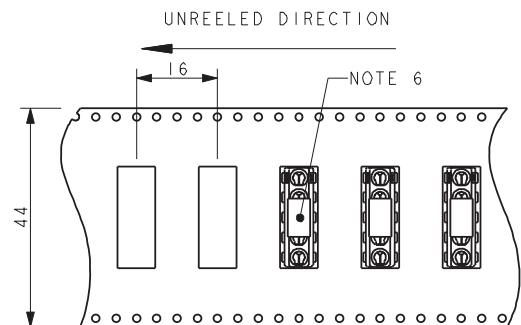
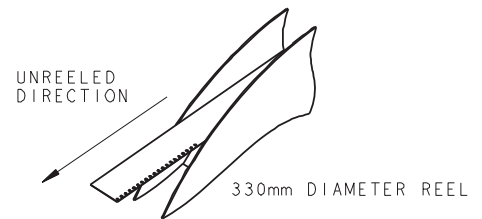
1. TOP MOUNT 5 WAY POKE HOME CONNECTOR. FOR FURTHER DETAILS REFER TO PRODUCT SPECIFICATION 201-01-151 AND APPLICATION NOTES 201-01-152.
2. SUITABLE FOR WIRES 18AWG TO 26AWG. MAXIMUM INSULATION 2.20MM DIAMETER.
3. INSULATOR: NYLON 46, GLASS FILLED, UL94 V-0. COLOR REFER TO PAGE 92.
4. CONTACT: TIN PLATE COPPER ALLOY.
5. PACKING IN TAPE AND REEL. QTY PER REEL 400, 330MM REEL.
6. CAPTON TAPE TO AID PICK AND PLACE, 4MM DIAMETER MAX AVAILABLE.
7. CONNECTOR OUTLINE.
8. GENERAL TOLERANCE  $\pm 0.20$ .
9. UL REFERENCE E90723.



#### SUGGESTED PCB LAYOUT



#### PACKING DETAILS



QUANTITY PER REEL 400

# POKE-HOME: VERTICAL TOP ENTRY

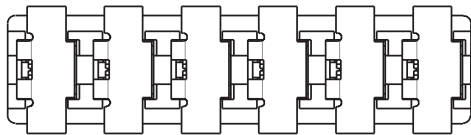
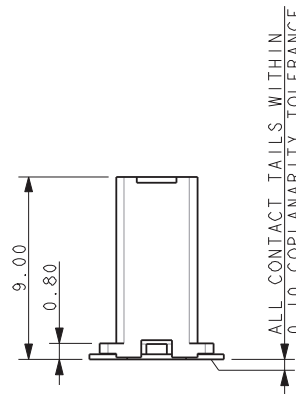
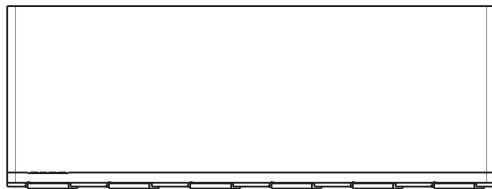
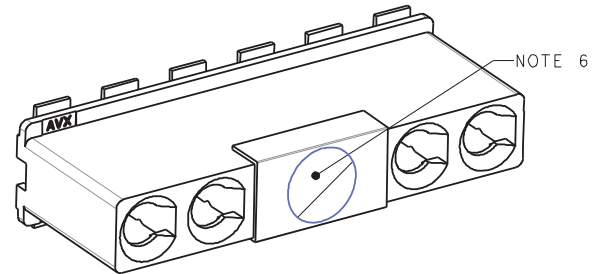
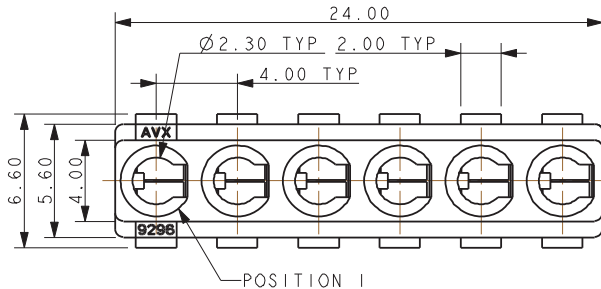
## 18-26 AWG: 00-9296



6 Position

### 9296 TOP MOUNT POKE HOME CONNECTOR

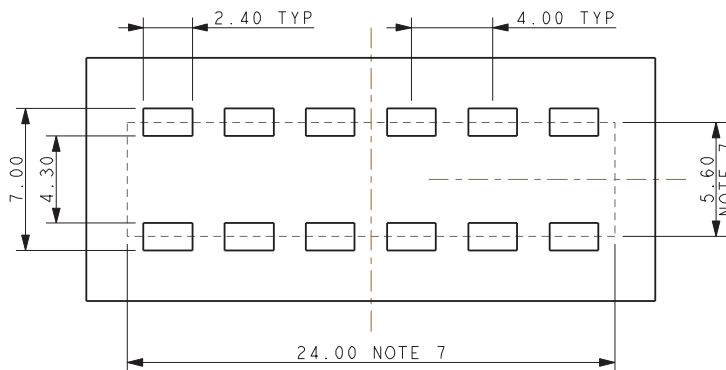
#### 6 WAY



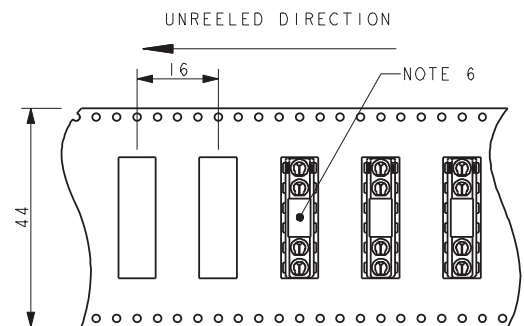
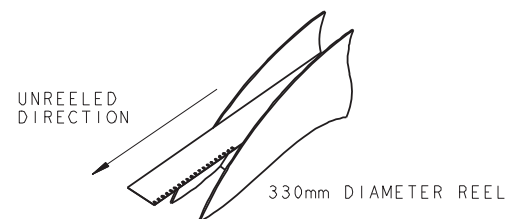
**NOTES:**

1. TOP MOUNT 6 WAY POKE HOME CONNECTOR. FOR FURTHER DETAILS REFER TO PRODUCT SPECIFICATION 201-01-151 AND APPLICATION NOTES 201-01-152.
2. SUITABLE FOR WIRES 18AWG TO 26AWG. MAXIMUM INSULATION 2.20MM DIAMETER.
3. INSULATOR: NYLON 46, GLASS FILLED, UL94 V-0. COLOR REFER TO PAGE 92.
4. CONTACT: TIN PLATE COPPER ALLOY.
5. PACKING IN TAPE AND REEL. QTY PER REEL 400, 330MM REEL.
6. CAPTON TAPE TO AID PICK AND PLACE, 4MM DIAMETER MAX AVAILABLE.
7. CONNECTOR OUTLINE.
8. GENERAL TOLERANCE  $\pm 0.20$ .
9. UL REFERENCE E90723.

#### SUGGESTED PCB LAYOUT



#### PACKING DETAILS



QUANTITY PER REEL 400

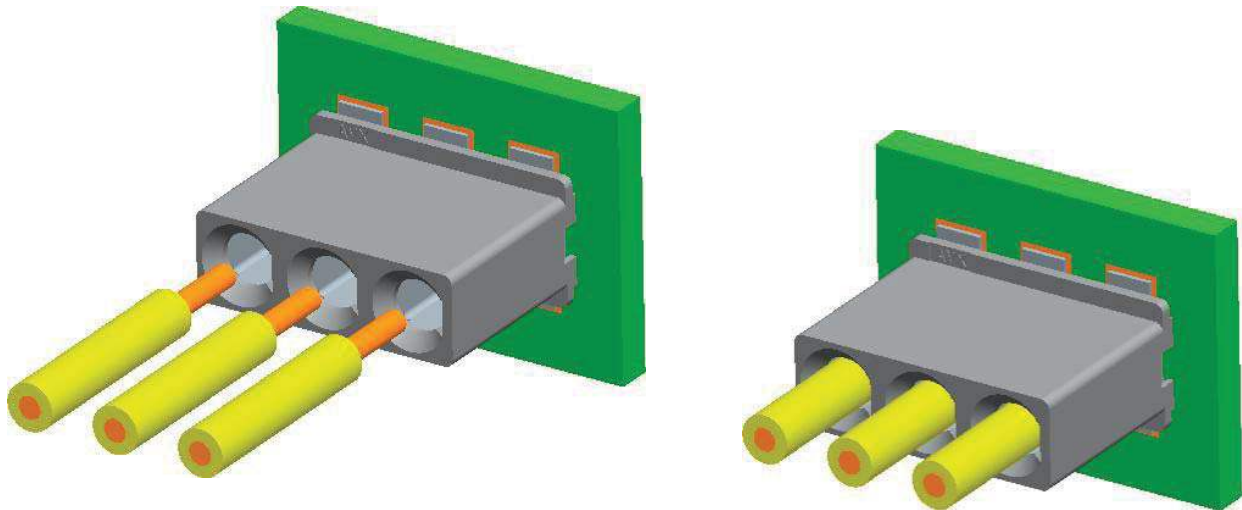
# POKE-HOME: VERTICAL TOP ENTRY 18-26 AWG: 00-9296

Connector Assembly / Contact Opening Tool

## 9296 TOP MOUNT POKE HOME CONNECTOR ASSEMBLY

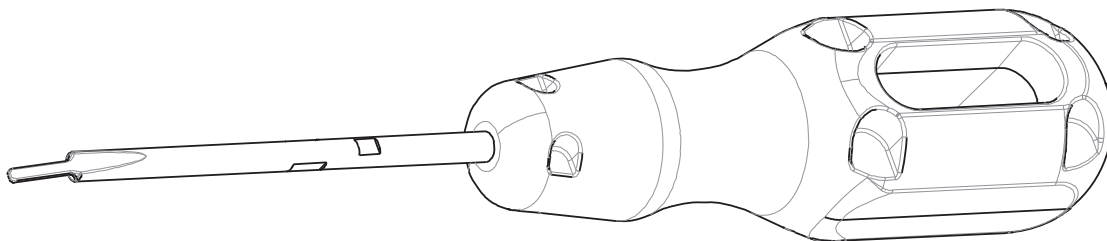


WIRE STRIP LENGTH



*Refer to application notes 201-01-152  
for full assembly procedure.*

## 9296 TOP MOUNT POKE HOME CONNECTOR WIRE EXTRACTION TOOL



**06-9296-7003-01-000**

*Refer to application notes 201-01-152  
for full wire extraction procedure.*