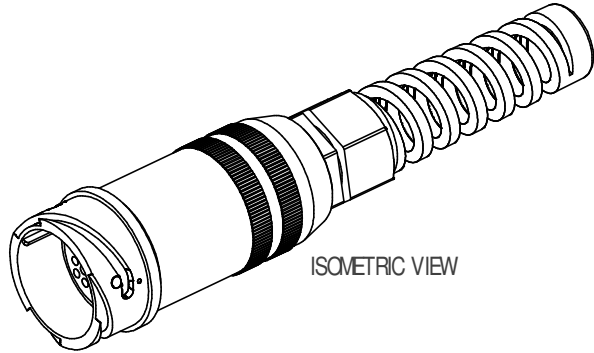


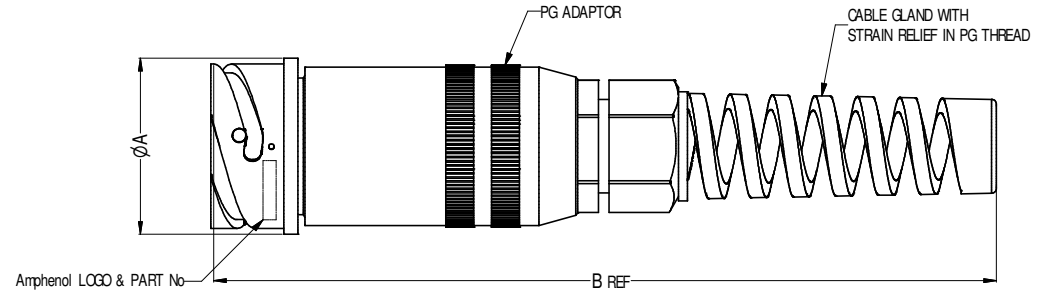


Part list, Dimensions in mm (inches)

ITEM	PART No	No. OF CONTACTS	CABLE GLAND THREAD SIZE	DIAMETER A	LENGTH B
1	MP-4101-13P	13	PG11	37.8	160
2	MP-4101-19P	19	PG13.5	41.1	171
3	MP-4101-25P	25	PG16	41.5	193
4	MP-4101-37P	37	PG21	50.9	210
5	MP-4101-54P	54	PG21	57.1	210



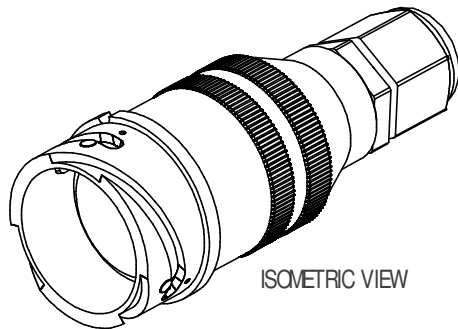
ISOMETRIC VIEW



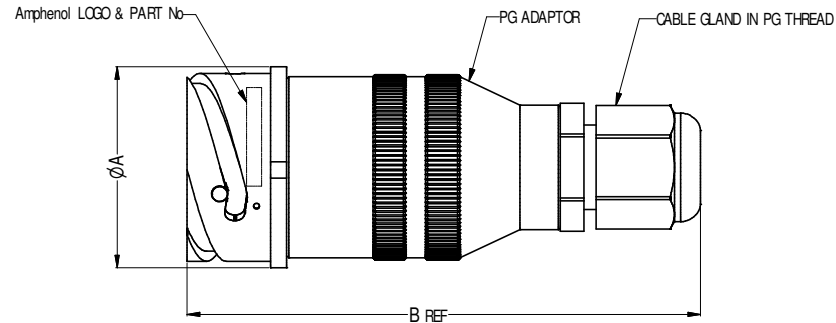
13, 19, 25, 37 AND 54 CONTACT TYPE

Part list, Dimensions in mm (inches)

ITEM	PART No	No. OF CONTACTS	CABLE GLAND THREAD SIZE	DIAMETER A	LENGTH B
6	MP-4101-85P	85	PG29	70.0	137
7	MP-4101-150P	150	PG36	70.0	145



ISOMETRIC VIEW



85, 150 AND 200 CONTACT TYPE

NOTES:

- MATERIAL AND FINISH:  
- FOR CONNECTOR SHELL AND ADAPTOR: ALUMINUM ALLOY, BLACK FINISH  
- FOR PG CABLE GLAND: POLYAMIDE BLACK
- SUPPLIED WITH GOLD PLATED CONTACTS

CUSTOMER DRAWING

UNLESS OTHERWISE SPECIFIED TOLERANCE TO BE:		THIS DOCUMENT IS THE PROPERTY OF AMPHENOL AUSTRALIA PTY. LTD. NO PART THEREOF MAY BE REPRODUCED AND USED WITHOUT THE PRIOR WRITTEN CONSENT OF THE OWNER			
LINEAR	ANGULAR	CAD FILE: 55010242000214	DRN: T.N	DATE: 01-08-03	REV.
X ± 0.15	X' ± 1	MATL: SEE NOTE 1	OKD: S.R	DATE: 20/02/06	TITLE: CABLE CONNECTING RECP WITH PIN CONTACT
X.X ± 0.05	X'X' ± 30'	DO NOT SCALE	APP'D: P.M	DATE: 20/02/06	DRAWING NO: 55010242-000-2
BREAK ALL SHARP EDGES AND REMOVE ALL BURRS	X'X'X' ± 5'	DIMENSIONS IN MILLIMETRES	THIRD ANGLE PROJECTION	SCALE: SEE TABLE	SIZE: A4
REV.		CHANGE DETAILS		BY	DATE
4	CHANGE FINISH TO BLACK COATING	T.N	17/02/06	8478	
3	CHANGE FINISH ADD STAINLESS STEEL WEAR PIN	T.N	09/09/05	8422	
2	CHANGE FINISH FROM PLATING TO COATING	L.V	16-04-04	8277	
1	ADD DETAIL DIMS OF PG ADPTOR ADD NOTE 2	T.N	30-10-03	8236	
FIRST ISSUE		T.N	01-08-03	---	
CHANGE DETAILS		BY	DATE	CHG No	

**Amphenol**  
Amphenol Australia Pty Ltd, 1 Riverside Blvd, Kingsborough, VIC 3171  
DRAWING NO: 55010242-000-2 SHEET: 2/2