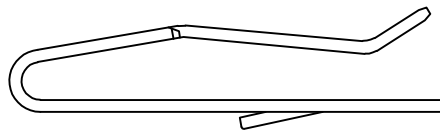
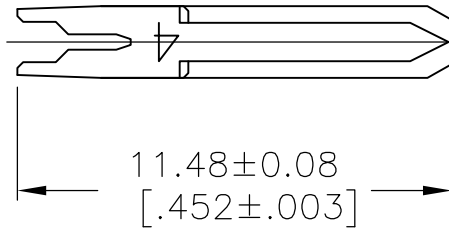
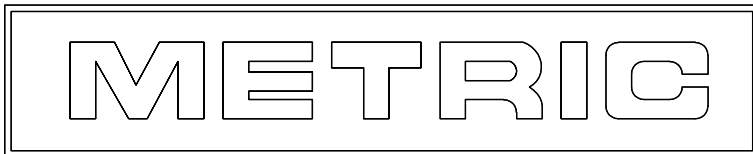


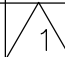
LOC	DIST	REVISIONS					
CM	00	P	LTR	DESCRIPTION	DATE	DWN	APVD
			L	REVISED PER ECO-07-00260	09APR07	KW	DB
			L1	REVISED PER ECO-09-023313	12OCT09	KK	AEG

DIMENSION IN BRACKET ARE IN INCHES.



 OBSOLETE PARTS: OBSOLETE CIS STREAMLINING PER D.RENAUD/D.SINISI



TIN	640637-3
TIN-LEAD	 640637-1
FINISH	PART NO


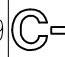
RELEASED FOR PUBLICATION

ALL RIGHTS RESERVED.

BY TYCO ELECTRONICS CORPORATION.

© COPYRIGHT

THIS DRAWING IS UNPUBLISHED.

DIMENSIONS: mm [INCHES]	DWN	BSV	25OCT2005	MATERIAL	0.30[.012] THK COPPER ALLOY	FINISH	MATTE TIN OR BRIGHT TIN LEAD 0.00203[.000080] MIN THK
	CHK	D. BOSSI	25OCT2005	 Tyco Electronics Corporation Harrisburg, PA 17105-3608			
TOLERANCES UNLESS OTHERWISE SPECIFIED:	APVD	D. BOSSI	25OCT2005				
0 PLC ± -	PRODUCT SPEC	NAME CONTACT, LOOSE PIECE, 24 AWG WIRE, MTA-100					
1 PLC ± -	APPLICATION SPEC						
2 PLC ± -	WEIGHT	A4 00779  640637					
3 PLC ± -		CUSTOMER DRAWING					
4 PLC ± -		SCALE 5:1 SHEET 1 OF 1 REV L1					
ANGLES ± -							