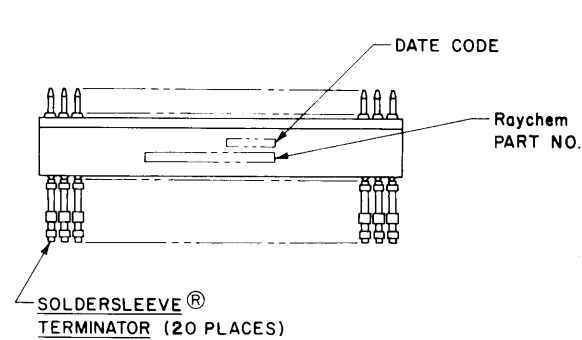


REVISIONS			
LTR	DESCRIPTION	DATE	APPROVED
B	REVISED PER ECN T-17745	925ep 14	[Signature]



5 WEIGHT (MAX.): 

LBS.	GRAMS
.6092	4.173

4 PIN NUMBER ONE IS MARKED IN CONTRASTING COLOR ON INTERFACIAL SEAL.

- |               |                        |  |
|---------------|------------------------|--|
| 3. FINISH :   | 3-A PIN WAFER ;        | FINISH TO BE AS MOLDED.                  |
|               | 3-B PIN CONTACT ;      | GOLD PLATE PER MIL-G-45204, CLASS I.     |
|               | (ENGAGING END)         |  |
|               | 3-C CONTACT TAIL ;     | COATED WITH Sn63 SOLDER PER QQ-S-571     |
| 2. MATERIAL : | 2-A PIN WAFER ;        | HIGH GRADE POLYARYLENE THERMOPLASTIC.    |
|               | 2-B PIN CONTACT ;      | COPPER ALLOY PER QQ-B-613 OR QQ-C-502.   |
|               | 2-C INTERFACIAL SEAL ; | SILICONE ELASTOMER PER MIL-R-25988.      |
|               | 2-D SOLDERSLEEVE®      | REFER TO RAYCHEM DWG. CTA-0068 FOR DATA. |
|               | TERMINATOR ;           |  |

1. THIS WAFER ASSEMBLY USED IN MTC100 CONNECTORS.

NOTES:

If this document is printed it becomes uncontrolled.  
Check with the web for latest revision.

**SPECIFICATION CONTROL DRAWING** Raychem Corporation 1983

DRAWN	HAWKINGS	11-16-83	<b>Raychem</b> RAYCHEM CORPORATION 300 CONSTITUTION DRIVE MENLO PARK, CALIFORNIA 94025	
CHECKED	[Signature]			
APPROVED	[Signature]	12-2-83	TITLE WAFER ASSEMBLY, PIN, "A" STYLE, 2",20 CONTACTS, WITH OVAL ENTRY FOR 20-26 AWG. TEMP. RATING 125° C MTC100 SERIES	
APPROVED	[Signature]	12-2-87		
UNLESS OTHERWISE SPECIFIED DIMENSIONS ARE IN INCHES ±.005 METRIC DIMENSIONS ARE IN PARENTHESIS (M.M.)			SIZE <b>A</b>	CODE IDENT NO <b>06090</b>
DO NOT SCALE THIS DRAWING			DWG NO <b>MTC100-JA2-PI4</b>	WEIGHT 5
			SHEET 1 OF 1	