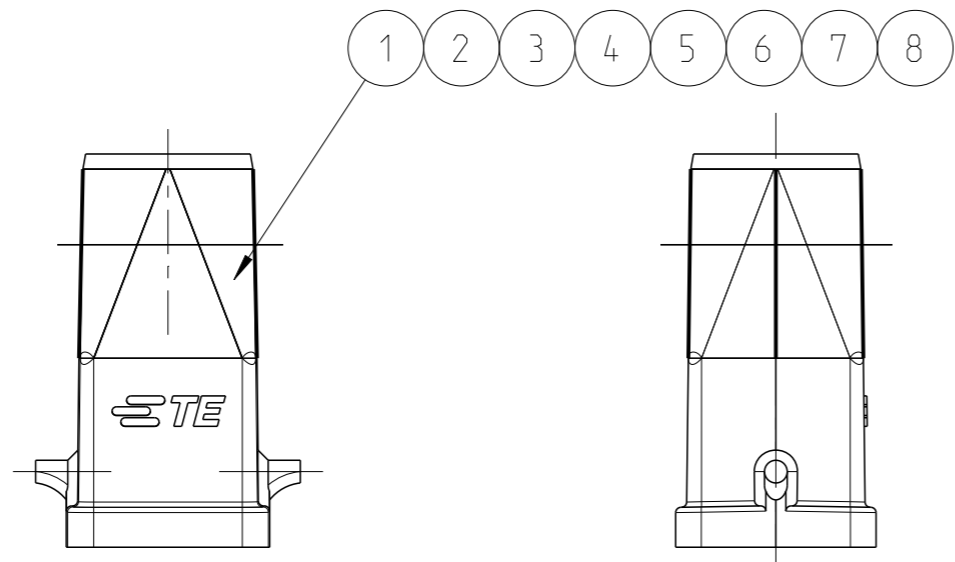


REVISIONS

P	LTR	DESCRIPTION	DATE	DWN	APVD
A13		ECR-14-012657	08SEP2014	RK	MKO
A14		REVISED PER ECR-17-014013	03JAN2018	SRG	MKO
B		REVISED PER ECR-20-006023	05NOV2020	SR	MKO
B1		ECR-21-123577	21MAR2022	RK	JB

NOTES

- 1 MATERIAL: ZINC DIECAST
- 2 COLOR: - VARNISH GREY
- VARNISH BLACK
- METALLIC SILVER
- 3 VARNISH ON THE INSIDE NOT NECESARILY
- 4 SPECIAL PACKAGING
PACKAGING QUANTITY 100 PIECES
- 5 PACKAGING QUANTITY 10 PIECES



0-9	0-8	0-7	0-6	0-5	0-4	0-3	0-2	0-1	DESCRIPTION	MATERIAL	SURFACE	COLOR	ITEM	NOTES
									HOOD HA.3	ZINC DIECAST		BLACK	8	M20
	1								HOOD HA.3	ZINC DIECAST		WITHOUT VARNISH	7	M20
		1							HOOD HA.3	ZINC DIECAST	BLUE PASSIVATION	METALLIC SILVER	6	M20
			1						HOOD HA.3	ZINC DIECAST	BLUE PASSIVATION	BLACK	5	M16
				1					HOOD HA.3	ZINC DIECAST	BLUE PASSIVATION	WITHOUT VARNISH	4	M16
					1				HOOD HA.3	ZINC DIECAST		GREY	3	M20
						1			HOOD HA.3	ZINC DIECAST		BLACK	2	M16
							1	1	HOOD HA.3	ZINC DIECAST		GREY	1	M16
									HA.3.STO.1.M16.Z		5			
									HA-K.3.STO.1.M16.Z		5			
									HA.3.STO.1.M20.Z		5			
									HA.3.STO.1.M16.Z.KM		4			
									HA-EMV.3.STO.1.M16.Z		5			
									HA-EMV-K.3.STO.1.M16.Z		5			
									HA-EMV-K.3.STO.1.M20.Z		5			
									HA-EMV.3.STO.1.M20.Z		5			
									HA-K.3.STO.1.M20.Z		5			

OBSOLETE
OBSOLETE
OBSOLETE
OBSOLETE

THIS DRAWING IS A CONTROLLED DOCUMENT.

DWN 09MAR2010 R.SCHNEIDER

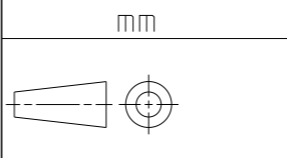
CHK 09MAR2010 T.SCHNURPFEL

APVD -

NAME HOOD ASSY HA.3

DIMENSIONS: mm

TOLERANCES UNLESS OTHERWISE SPECIFIED:



0 PLC	±
1 PLC	±
2 PLC	±
3 PLC	±
4 PLC	±
ANGLES	±1°

PRODUCT SPEC -

APPLICATION SPEC -

WEIGHT -

SIZE A3 CAGE CODE 00779 DRAWING NO C=1106405 RESTRICTED TO

MATERIAL -

FINISH -

CUSTOMER DRAWING

SCALE 5:1 SHEET 1 OF 1 REV B1

