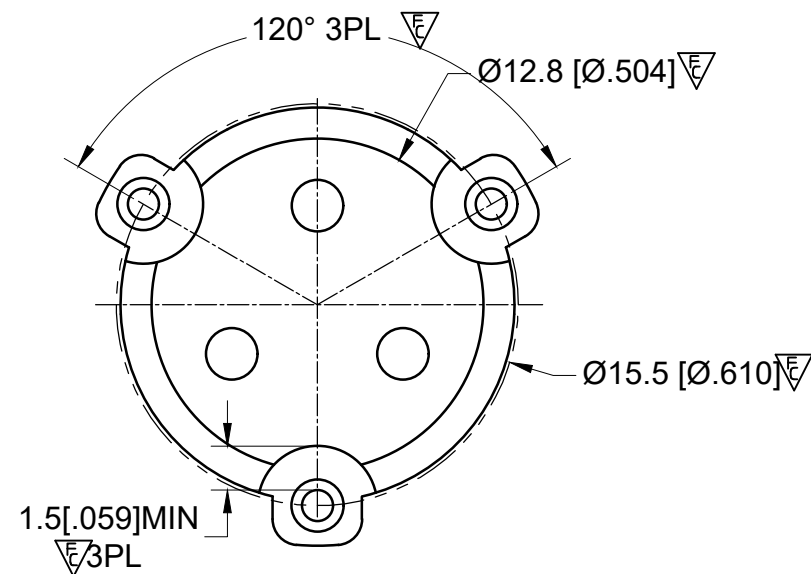
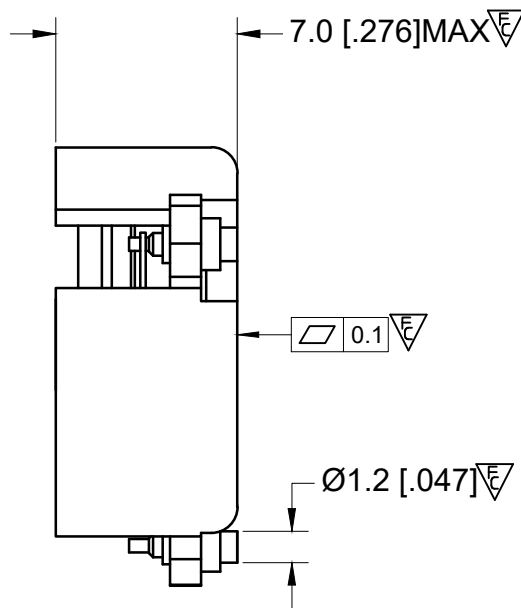
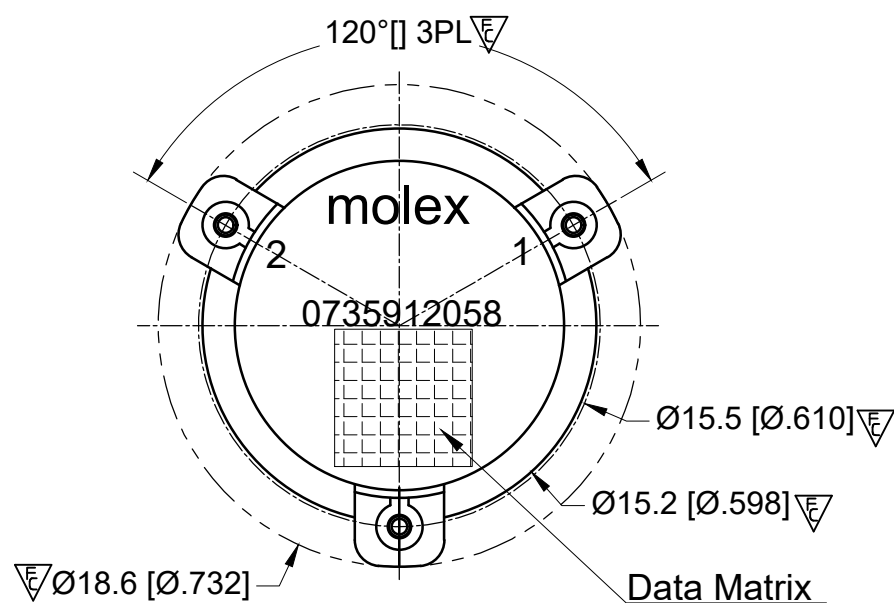
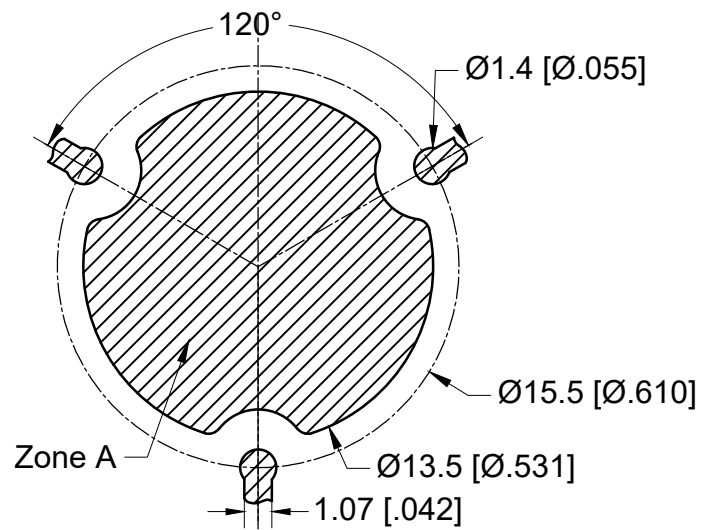
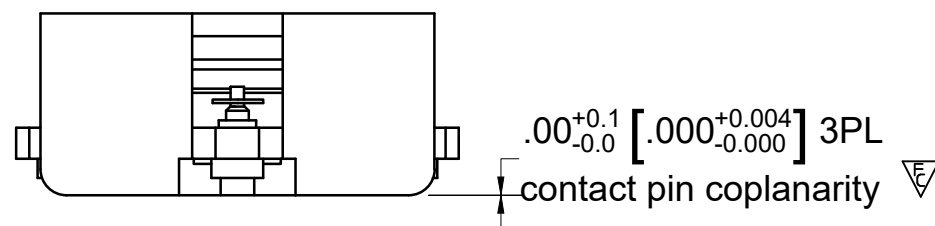


RECOMMENDED LAND PATTERN :

Zone A must be attached to heat sink. Thermal conductivity of intermediate layers between Zone A and heat sink must be better than 0.1 W / [°C x mm].



PCB Material :Rogers RO4350B,0.508mm thickness
trace width 1.07mm wide.



ELECTRICAL SPECIFICATIONS :

Frequency Range : 2300~2400MHz

Isolation : 20 dB min

Return Loss : 23 dB min

Insertion Loss : 0.25 dB max

Attenuation (2 x TX) : 20 dB min

(3 x TX) : 7 dB min

(N x TX) : 5 dB min

Input Power(within freq.range) :100 W max

Input Power peak(within freq.range) :1000 W max

Reflected Power :100W max

IM3(50W x 2 tones 5M spacing) : -65 dBc max

Harmonics (2 x TX @ 100W CW) : 60 dBc min

(3 x TX @ 100W CW) : 60 dBc min

Operating temperature range : -40 to +115°C

Storage temperature range : -40 to +125°C

Direction : CCW

MATERIAL :

BODY : STEEL, SILVER PLATED

PIN : COPPER , SILVER PLATED

NOTES :

1.STANDARD INPUT/OUTPUT IMPEDANCE 50 Ohm

2.LEAD FREE, NO Nd MATERIAL, BeO FREE

3.THE DIMENSION OF DATA MATRIX IS 5.3X5.3MM INFORMATION INCLUDING WORK ORDER NUMBER-SERIAL NUMBER-MATERIAL NUMBER

4.THIS PART COMPLIES WITH ALL RoHS REQUIREMENTS

ENG PART#: 812-230-240-WP040

FUNCTIONAL SYMBOLS	THIS DRAWING CONTAINS INFORMATION THAT IS PROPRIETARY TO MOLEX ELECTRONIC TECHNOLOGIES, LLC AND SHOULD NOT BE USED WITHOUT WRITTEN PERMISSION										
	DIMENSION UNITS		SCALE		CURRENT REV DESC:						molex
MM		1:1		RELEASE TO PROD							
GENERAL TOLERANCES (UNLESS SPECIFIED)											
		mm		INCH		EC NO: 696580					
4 PLACES		±0.025		±----		DRWN: SREN05 2022/02/21					
3 PLACES		±0.05		±----		CHK'D: JLI252 2022/02/23					
2 PLACES		±0.13		±----		APPR: HWANG186 2022/03/01					
1 PLACE		±0.25		±----		INITIAL REVISION:					
0 PLACES		±0.4		±----		DRWN: SREN05 2021/11/12					
ANGULAR TOL		± 1.5 °		±----		APPR: HWANG186 2022/03/01					
DRAFT WHERE APPLICABLE MUST REMAIN WITHIN DIMENSIONS				THIRD ANGLE PROJECTION		DRAWING		SERIES		MATERIAL NUMBER	
				A3-SIZE		73591		0735912058		CUSTOMER	
						CUSTOM PART		1 OF 1		SHEET NUMBER	