

| PART NUMBER | REV | FIRST USED | TERMINATOR | FEED TYPE      | DESCRIPTION        |
|-------------|-----|------------|------------|----------------|--------------------|
| 1426243-1   | B   | -          | LEADMAKER  | MECH POST FEED | CUTS CARRIER       |
| 1426243-2   | B   | -          | BENCH      | MECH PRE FEED  | CUTS CARRIER       |
| 1426243-6   | B   | -          | LEADMAKER  | MECH POST FEED | CONTINUOUS CARRIER |
| 7-1426243-1 | B   | -          | LEADMAKER  | MECH POST FEED | -1 AND SPARE PARTS |
| 7-1426243-2 | B   | -          | BENCH      | MECH PRE FEED  | -2 AND SPARE PARTS |
| 7-1426243-6 | B   | -          | LEADMAKER  | MECH POST FEED | -6 AND SPARE PARTS |
| 7-1426243-7 | A   | -          | -          | -              | SPARE PARTS KIT    |

**CRIMP DATA LESJÖFORS TERMINAL AMP CRIMP SPECS**

| CRIMP                    | SIZE             | TYPE | RANGE                                 |
|--------------------------|------------------|------|---------------------------------------|
| WIRE                     | 3.05 [.120 IN]   | F    | 1.50-2.50mm <sup>2</sup> or 14-12 AWG |
| INSUL                    | 4.57 [.180 IN]   | F    | 2.00-4.40 [.079-.173 IN]              |
| WIRE STRIP LENGTH        | APPL INSTRUCTION |      |                                       |
| 4.80-5.60 [.189-.220 IN] | 408-8322         |      |                                       |

| TERMINAL           | FEED            |
|--------------------|-----------------|
| APPL SPEC 114-3118 | 16.00 [.630 IN] |

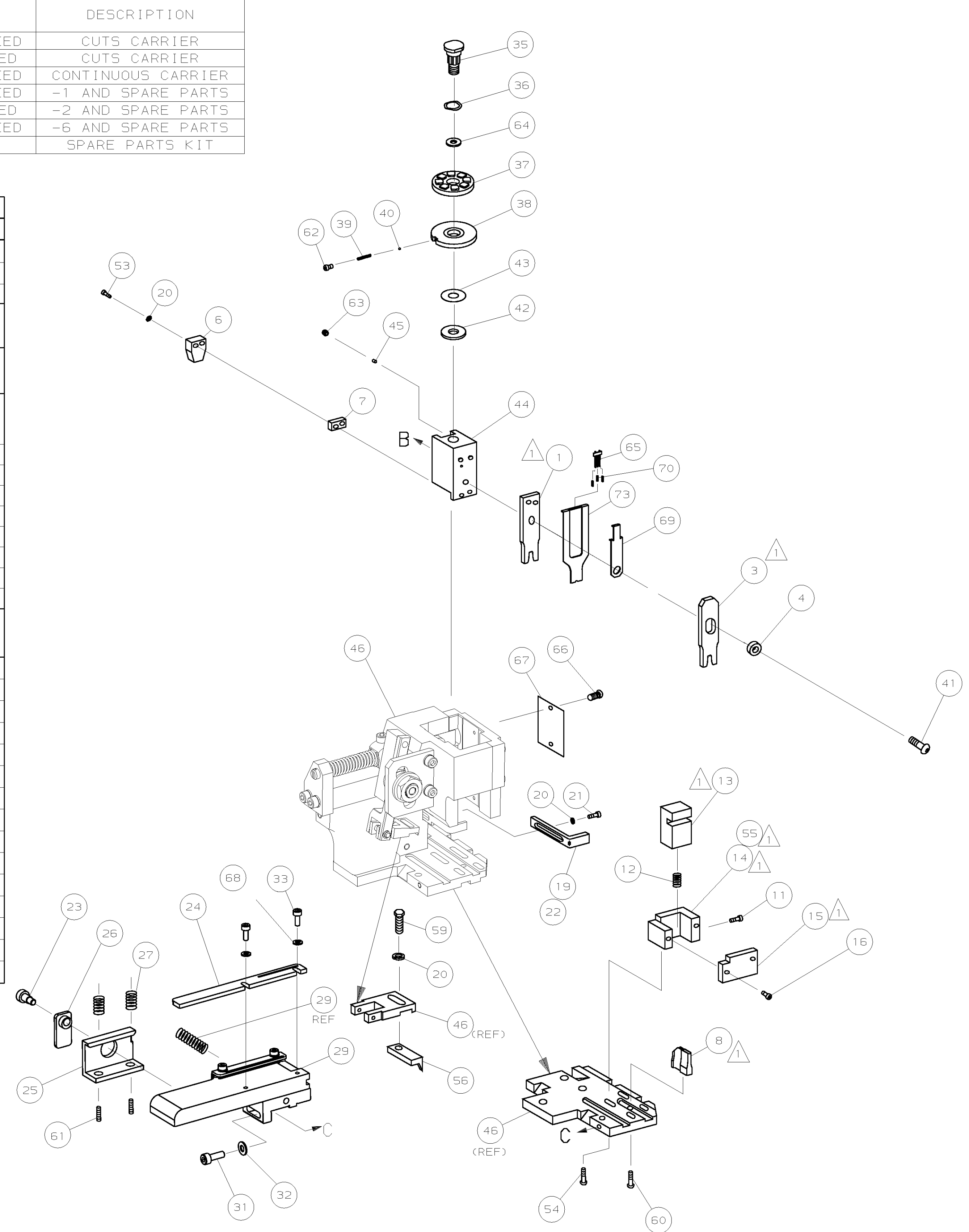
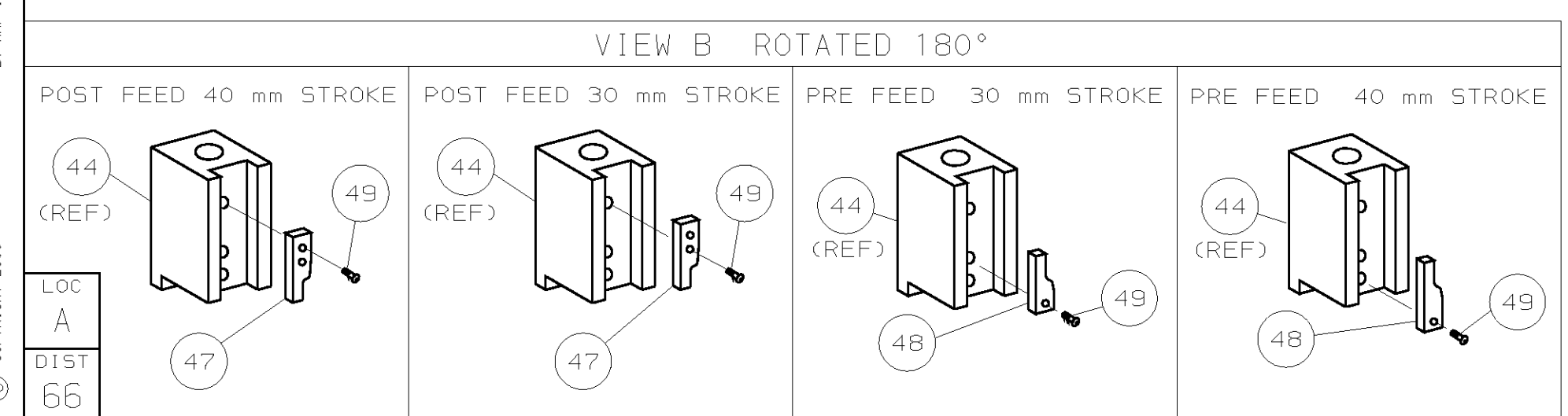
**TERMINALS APPLIED**

| AMP PN    | MFR PN | - | - | - |
|-----------|--------|---|---|---|
| 1572007-1 | 017998 | - | - | - |
| -         | -      | - | - | - |
| -         | -      | - | - | - |
| -         | -      | - | - | - |
| -         | -      | - | - | - |
| -         | -      | - | - | - |
| -         | -      | - | - | - |
| -         | -      | - | - | - |
| -         | -      | - | - | - |

| WIRE SIZE           | CRIMP HEIGHT               | PIN PN AND LENGTH [IN] |
|---------------------|----------------------------|------------------------|
| 12 AWG              | 2.32 ±0.05 [.091 ±.002 IN] | 4-354778-9 [.2740]     |
| 2.50mm <sup>2</sup> | 2.12 ±0.05 [.083 ±.002 IN] | 6-354778-7 [.2830]     |
| 14 AWG              | 1.96 ±0.05 [.077 ±.002 IN] | 8-354778-0 [.2895]     |
| 1.50mm <sup>2</sup> | 1.87 ±0.05 [.074 ±.002 IN] | 8-354778-4 [.2915]     |

| LAYOUT   | SET UP GAGE |
|----------|-------------|
| L1426243 | 458637-3    |

- RECOMMENDED SPARE PARTS.
- GREASE RAM, CAM, CAM FOLLOWER AND FEED ROD LIGHTLY.
- LUBRICATE DAILY PER THE APPLICATOR INSTRUCTION SHEET SUPPLIED WITH THE APPLICATOR.
- CRIMP DATA CALCULATED BY TYCO.
- DUE TO TERMINAL DESIGN, 12AWG WIRE SIZE CAN NOT MEET TYCO CAPABILITY STUDY VALUES FOR TENSILE VALUE REFERENCED BY 114-3118.



| QTY | REQD PER ASSY | PART NO    | DESCRIPTION                    | ITEM NO |
|-----|---------------|------------|--------------------------------|---------|
| -   | 1             | 1490525-3  | DEPRESSOR, WIRE                | 73      |
| -   | 1             | 1426243    | PRINT, APPLICATOR LOG SHEET    | 72      |
| -   | 1             | 1338705-1  | DOCUMENTATION PACKAGE          | 71      |
| -   | 3             | 2-23147-2  | SPRING, DEPRESSOR              | 70      |
| -   | 1             | 1490524-1  | SPACER, DEPRESSOR              | 69      |
| -   | 2             | 18025-1    | WASHER, LOCK (M3)              | 68      |
| -   | 1             | 461264-1   | PLATE, IDENTIFICATION          | 67      |
| -   | 2             | 21017-2    | SCR,DRIVE (#2x.19) ID PLATE    | 66      |
| -   | 1             | 1424350-1  | HOLDER, PIN, WIRED             | 65      |
| -   | 1             | 986950-1   | WASHER, FLAT PRECISION         | 64      |
| -   | 1             | 3-18031-0  | SCR,SKT SET (M6X6)RAM          | 63      |
| -   | 1             | 18023-9    | SCR,SHC (M4X6) INS DISC        | 62      |
| -   | 2             | 2-18032-5  | SCR,SET (M5X20)DRAG            | 61      |
| -   | 1             | 18024-7    | SCR,BHC (M4X10)ANVIL           | 60      |
| -   | 1             | 5-18022-2  | SCR,HEX (M4X8)FEED FINGER      | 59      |
| -   | -             | -          | -                              | 58      |
| -   | -             | -          | -                              | 57      |
| -   | 1             | 1338683-1  | PAWL, FEED                     | 56      |
| -   | 1             | 1338723-1  | HOLDER,SHEAR, REAR (NO CUT)    | 55      |
| -   | 2             | 18024-8    | SCR,BHC (M4X12)SHEAR HOLDER    | 54      |
| -   | 2             | 1-18023-3  | SCR,SHC (M4X16)TERM HLD DWN    | 53      |
| -   | -             | -          | -                              | 52      |
| -   | -             | -          | -                              | 51      |
| -   | -             | -          | -                              | 50      |
| -   | 1             | 18024-3    | SCR,BHC (M3X10)CAM             | 49      |
| -   | -             | 1338675-1  | CAM, PRE FEED 30 & 40 mm ST    | 48      |
| -   | 1             | 1338676-1  | CAM, POST FEED 30 & 40 mm ST   | 47      |
| -   | 1             | 1320999-3  | APPLICATOR BASIC SUBASSY       | 46      |
| -   | 1             | 690191-1   | PLUG, NYLON                    | 45      |
| -   | 1             | 1338660-1  | RAM                            | 44      |
| -   | 1             | 690125-1   | WASHER, LAMINATED              | 43      |
| -   | 1             | 690124-1   | WASHER, RAM                    | 42      |
| -   | 1             | 2-18024-6  | SCR,BHC (M8X25)RAM             | 41      |
| -   | 1             | 23241-1    | BALL, STEEL                    | 40      |
| -   | 1             | 2-22278-7  | SPRING, COMPRESSION            | 39      |
| -   | 1             | 1320922-1  | DISC, INSULATION               | 38      |
| -   | 1             | 354777-1   | WIRE DISC, PLASTIC             | 37      |
| -   | 1             | 22480-5    | WASHER, SPRING                 | 36      |
| -   | 1             | 690212-1   | POST, RAM                      | 35      |
| -   | -             | -          | -                              | 34      |
| -   | 2             | 18023-5    | SCREW,SHC (M3X12)FRT STRP GDE  | 33      |
| -   | 1             | 18027-2    | WASHER, FLAT (M4)              | 32      |
| -   | 1             | 1-18023-2  | SCR,SKT CAP (M4X12)MOUNT BLOCK | 31      |
| -   | -             | -          | -                              | 30      |
| -   | 1             | 1633082-1  | STRIP GUIDE PLATE ASSY         | 29      |
| -   | -             | -          | -                              | 28      |
| -   | 2             | 1-22284-0  | SPRING, DRAG                   | 27      |
| -   | 1             | 356835-1   | LEVER, DRAG RELEASE            | 26      |
| -   | 1             | 240792-5   | DRAG, TERMINAL                 | 25      |
| -   | 1             | 2-690487-3 | GUIDE, STRIP (FRONT)           | 24      |
| -   | 1             | 980371-4   | SCR,SHC SHLD                   | 23      |
| -   | 1             | 690472-2   | STRIPPER                       | 22      |
| -   | 1             | 1-18023-1  | SCR,SHC (M4X10)STRIPPER        | 21      |
| -   | 4             | 18025-2    | WASHER,LOCK (M4)STRIPPER       | 20      |
| -   | -             | 690472-1   | STRIPPER                       | 19      |
| -   | -             | -          | -                              | 18      |
| -   | -             | -          | -                              | 17      |
| -   | 2             | 18023-2    | SCR,SHC (M3X6)REAR SHEAR PL    | 16      |
| -   | 1             | 690464-2   | PLATE, SHEAR (REAR)            | 15      |
| -   | -             | 1320920-1  | HOLDER, SHEAR, REAR (CUT)      | 14      |
| -   | 1             | 1-690463-5 | SHEAR, FLOAT (REAR)            | 13      |
| -   | 1             | 5-22280-0  | SPRING, SHEAR                  | 12      |
| -   | 1             | 356885-4   | STOP, SHEAR                    | 11      |
| -   | -             | -          | -                              | 10      |
| -   | -             | -          | -                              | 9       |
| 1   | 2             | 1333208-4  | ANVIL                          | 8       |
| -   | 1             | 6-240641-8 | SPACER, DEPRESSOR (REAR)       | 7       |
| -   | 1             | 690468-3   | DEPRESSOR, SHEAR (REAR)        | 6       |
| -   | -             | -          | -                              | 5       |
| -   | 1             | 238009-3   | SPACER, BLOCK CRIMPER          | 4       |
| 1   | 2             | 1424909-5  | CRIMPER, INSULATION            | 3       |
| -   | -             | -          | -                              | 2       |
| 1   | 2             | 456409-8   | CRIMPER, WIRE                  | 1       |

REVISION RECORD

| REV | DESCRIPTION          | DATE     |
|-----|----------------------|----------|
| A   | SEE ECN 015A-0880-01 | MC OCT01 |
| B   | ECN 0150-1269-03     | TE 11-03 |

DR M. CLIFFORD  
CHK -  
NAME: SIDE FEED HD-I APPLICATOR  
SCALE: -  
DWG NO: 1426243

DR 10SEP01 APP 10SEP01 F. BACKHURST  
REL 23-10-01 M. CLIFFORD  
MACHINE REF HD-I APPL  
SHEET REV 1 OF 1 B

CUSTOMER AND ASSEMBLY DRAWING