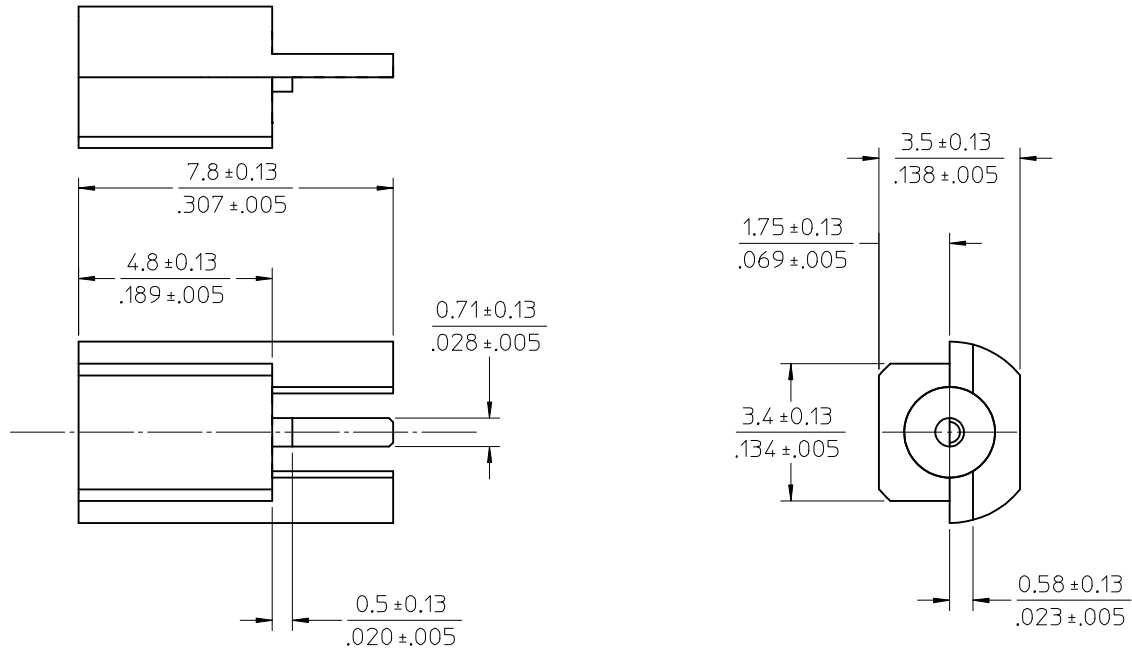
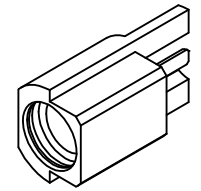


MATERIALS AND FINISHES

BODY
BRASS
PLATED GOLD

CENTER CONTACT
BERYLLIUM COPPER
PLATED GOLD

INSULATOR
TEFLON



2	ES-7599-0000-0160	INTERFACE
1	PS-89675-1910	ELECTRO/MECH PERFORMANCE
	PART	DESCRIPTION

3	73415-1262	PER COMMERCIAL REQUIREMENT	TAPE & REEL(SEE SHEET 2)
2	73415-1261	PER COMMERCIAL REQUIREMENT	TRAY
1	73415-1260	PER MILITARY REQUIREMENTS	TRAY
	PART	PLATING	PACKAGE

CHG:ADD 734151262
 WITH TAP & REEL
 ELC NO: JRF 2005-0768
 DRWN: JTSAO 2005/05/09
 CHKD: 2005/05/09
 APPR: MJIUANG 2005/05/09
 C2

QUALITY SYMBOLS
 =0
 =0

GENERAL TOLERANCES (UNLESS SPECIFIED)

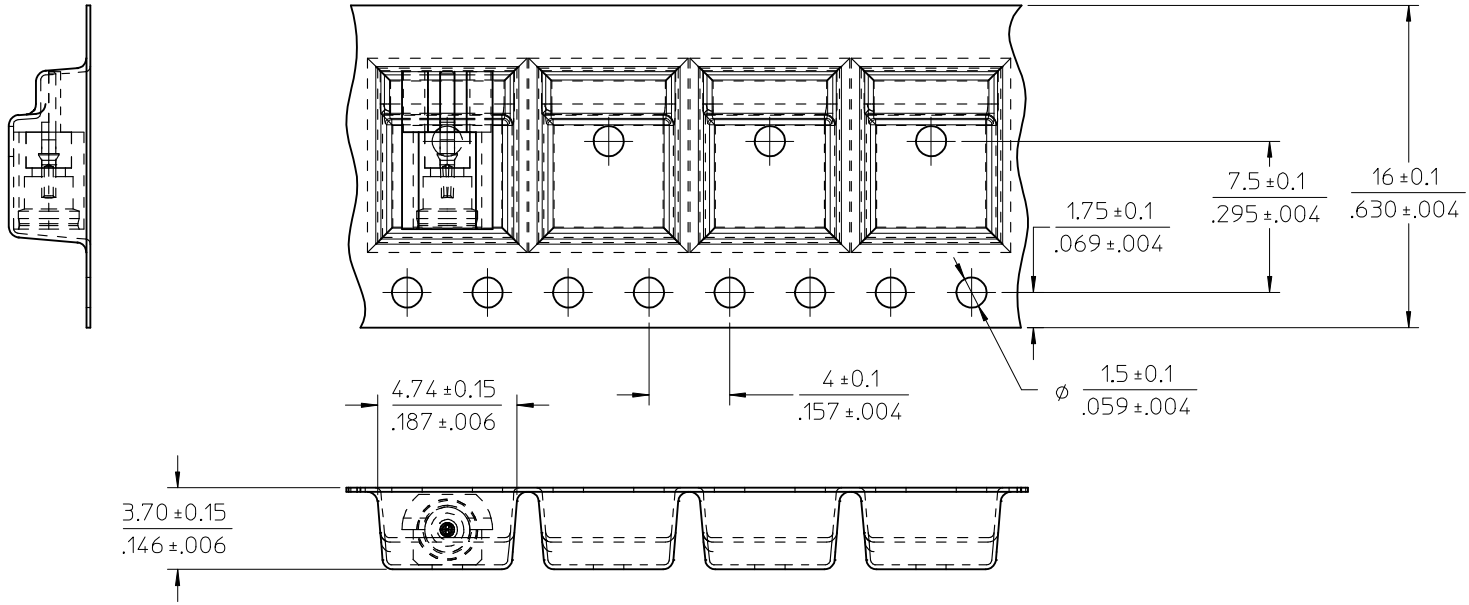
	mm	INCH
4 PLACES	± ---	± ---
3 PLACES	± ---	± ---
2 PLACES	± 0.15	± ---
1 PLACE	± 0.25	± ---

 ANGULAR ± 2 °
 DRAFT WHERE APPLICABLE
 MUST REMAIN WITHIN DIMENSIONS

DIMENSION STYLE
MM/IN
 DRAWN BY: JOHN
 DATE: 2005/02/14
 CHECKED BY: KERRIE
 DATE: 2005/02/14
 APPROVED BY: MISEN
 DATE: 2005/02/14
 MATERIAL NO. SEE TABLE
 SIZE: A3
 THIS DRAWING CONTAINS INFORMATION THAT IS PROPRIETARY TO MOLEX INCORPORATED AND SHOULD NOT BE USED WITHOUT WRITTEN PERMISSION

SCALE: 1:1
 DESIGN UNITS: METRIC
 THIRD ANGLE PROJECTION
 TITLE: MMCX JACK EDGE LAUNCHER MMCX-J/PCB
 MOLEX INCORPORATED
 DOCUMENT NO. SD-73415-126
 SHEET NO. 1 OF 2

10 9 8 7 6 5 4 3 2 1



NOTES:

- 1500 CONNECTORS PER REEL ON 330mm(13 inch) REEL. 16mm TAPE, 8mm CAVITY PITCH.
- 10 PITCHS CUMULATIVE TOLERANCE $\pm 2.20(.008)$
- PART NO. 73415-1262

CHG:ADD 734151262 WITH TAP & REEL EC NO: JRF-2005-0768 DRWN: JTSAO 2005/05/09 CHKD: 2005/05/09 APPR: MJIUANG 2005/05/09	QUALITY SYMBOLS	GENERAL TOLERANCES (UNLESS SPECIFIED)		DIMENSION STYLE	SCALE	DESIGN UNITS	THIRD ANGLE PROJECTION	
	$\nabla = 0$ $\square = 0$	mm	INCH	MM/IN	1:1	METRIC		
		4 PLACES	\pm ---	\pm ---	DRAWN BY	DATE	TITLE	
		3 PLACES	\pm ---	\pm ---	JOHN	2005/02/14	MMCX JACK EDGE LAUNCHER MMCX-J/PCB	
	2 PLACES	± 0.15	\pm ---	CHECKED BY	DATE	MOLEX INCORPORATED		
	1 PLACE	± 0.25	\pm ---	KERRIE	2005/02/14	MATERIAL NO.		
		ANGULAR $\pm 2^\circ$		APPROVED BY	DATE	DOCUMENT NO.		
		DRAFT WHERE APPLICABLE MUST REMAIN WITHIN DIMENSIONS		MISEN	2005/02/14	SD-73415-126		
				SIZE	THIS DRAWING CONTAINS INFORMATION THAT IS PROPRIETARY TO MOLEX INCORPORATED AND SHOULD NOT BE USED WITHOUT WRITTEN PERMISSION			
				A3	SHEET NO. 2 OF 2			

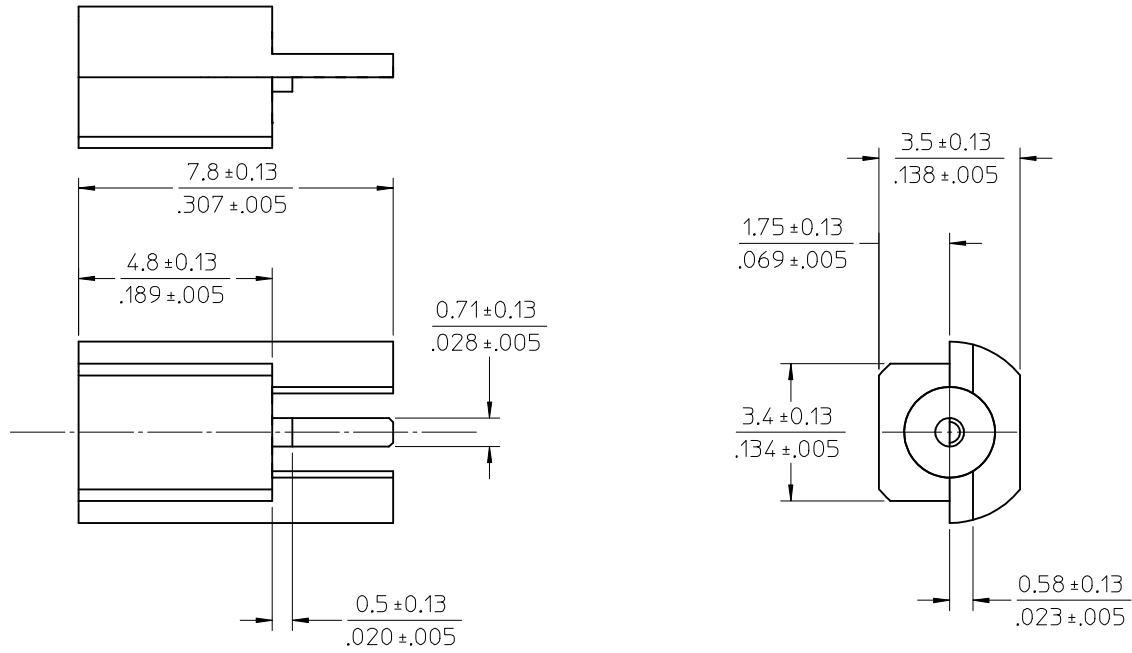
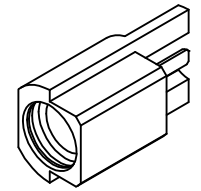
9 8 7 6 5 4 3 2 1

MATERIALS AND FINISHES

BODY
BRASS
PLATED GOLD

CENTER CONTACT
BERYLLIUM COPPER
PLATED GOLD

INSULATOR
TEFLON



2	ES-7599-0000-0160	INTERFACE
1	PS-89675-1910	ELECTRO/MECH PERFORMANCE
	PART	DESCRIPTION

3	73415-1262	PER COMMERCIAL REQUIREMENT	TAPE & REEL(SEE SHEET 2)
2	73415-1261	PER COMMERCIAL REQUIREMENT	TRAY
1	73415-1260	PER MILITARY REQUIREMENTS	TRAY
	PART	PLATING	PACKAGE

CHG:ADD 734151262
 WITH TAP & REEL
 ELEC NO: JRF 2005-0768
 DRWN: JTSAO 2005/05/09
 CHKD: 2005/05/09
 APPR: MJIUANG 2005/05/09
 C2

QUALITY SYMBOLS

 DESCRIPTION
 REV

GENERAL TOLERANCES (UNLESS SPECIFIED)

	mm	INCH
4 PLACES	± ---	± ---
3 PLACES	± ---	± ---
2 PLACES	± 0.15	± ---
1 PLACE	± 0.25	± ---

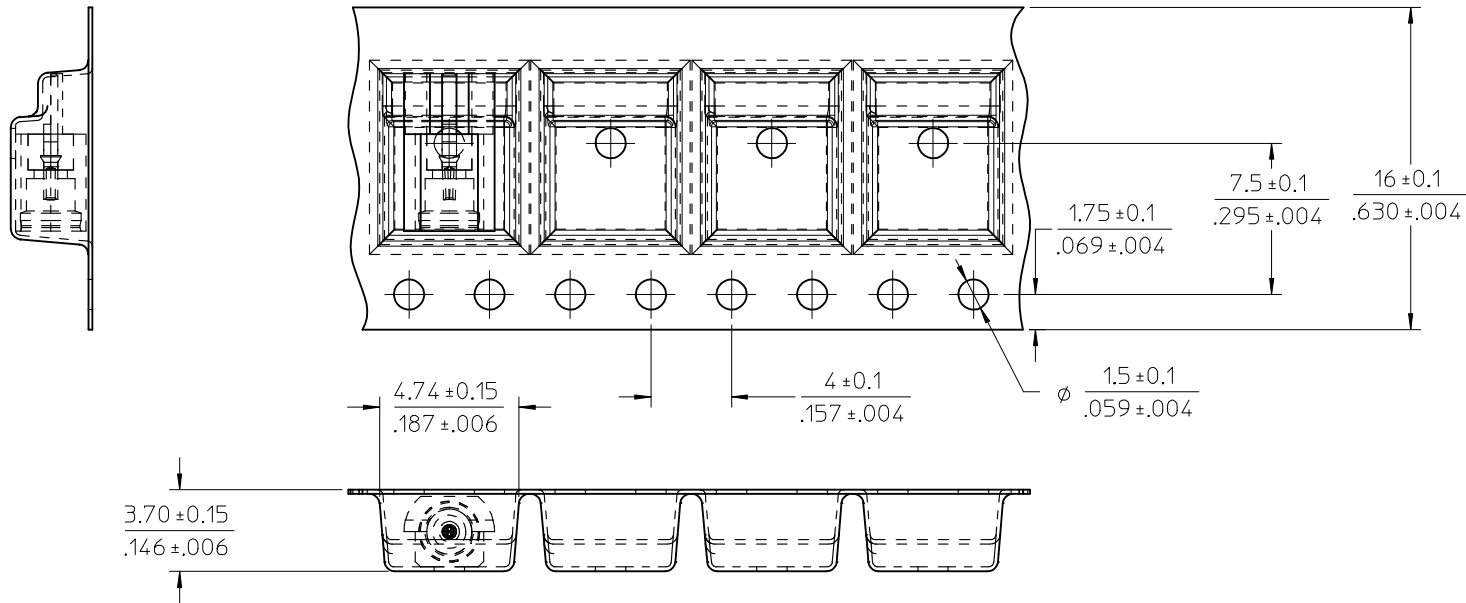
 ANGULAR ± 2 °
 DRAFT WHERE APPLICABLE
 MUST REMAIN
 WITHIN DIMENSIONS

DIMENSION STYLE
MM/IN
 DRAWN BY: JOHN
 CHECKED BY: KERRIE
 APPROVED BY: MISEN
 DATE: 2005/02/14
 MATERIAL NO.
SEE TABLE
 SIZE: A3

SCALE: 1:1
 DESIGN UNITS: METRIC
 THIRD ANGLE PROJECTION
 TITLE: MMCX JACK
 EDGE LAUNCHER
 MMCX-J/PCB
 MOLEX INCORPORATED
 DOCUMENT NO.: SD-73415-126
 SHEET NO.: 1 OF 2

THIS DRAWING CONTAINS INFORMATION THAT IS PROPRIETARY TO MOLEX
 INCORPORATED AND SHOULD NOT BE USED WITHOUT WRITTEN PERMISSION

10 9 8 7 6 5 4 3 2 1



NOTES:

- 1500 CONNECTORS PER REEL ON 330mm(13 inch) REEL. 16mm TAPE, 8mm CAVITY PITCH.
- 10 PITCHS CUMULATIVE TOLERANCE $\pm 2.20(.008)$
- PART NO. 73415-1262

CHG:ADD 734151262 WITH TAP & REEL ELC NO: JRF-2005-0768 DRWN: JTSAO 2005/05/09 CHKD: 2005/05/09 APPR: MJIUANG 2005/05/09	QUALITY SYMBOLS	GENERAL TOLERANCES (UNLESS SPECIFIED)		DIMENSION STYLE	SCALE	DESIGN UNITS	THIRD ANGLE PROJECTION
	$\nabla = 0$ $\square = 0$	mm	INCH	MM/IN	1:1	METRIC	
	DESCRIPTION	4 PLACES	$\pm \text{---}$	$\pm \text{---}$	DRAWN BY	DATE	TITLE
	REV	3 PLACES	$\pm \text{---}$	$\pm \text{---}$	JOHN	2005/02/14	MMCX JACK EDGE LAUNCHER MMCX-J/PCB
	2 PLACES	± 0.15	$\pm \text{---}$	CHECKED BY	DATE	MOLEX INCORPORATED	
	1 PLACE	± 0.25	$\pm \text{---}$	KERRIE	2005/02/14		MATERIAL NO. SEE SHEET 1
		ANGULAR $\pm 2^\circ$		APPROVED BY	DATE	DOCUMENT NO. SD-73415-126	
		DRAFT WHERE APPLICABLE MUST REMAIN WITHIN DIMENSIONS		MISEN	2005/02/14	SHEET NO. 2 OF 2	
				SIZE	THIS DRAWING CONTAINS INFORMATION THAT IS PROPRIETARY TO MOLEX INCORPORATED AND SHOULD NOT BE USED WITHOUT WRITTEN PERMISSION		
				A3			

9 8 7 6 5 4 3 2 1

F

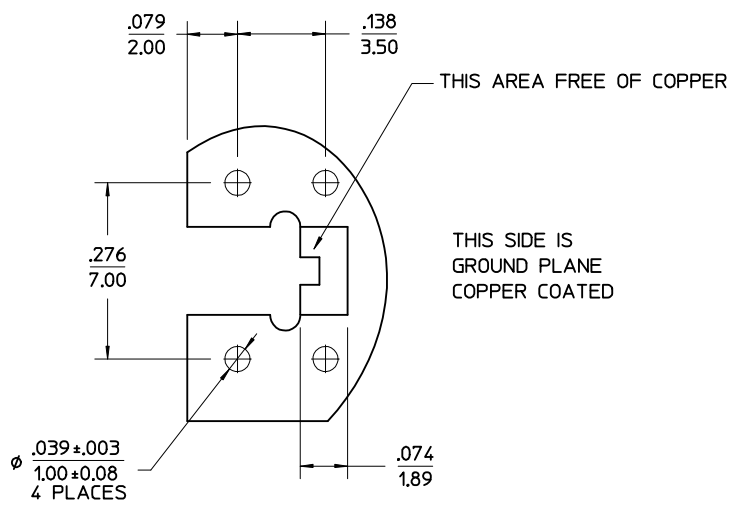
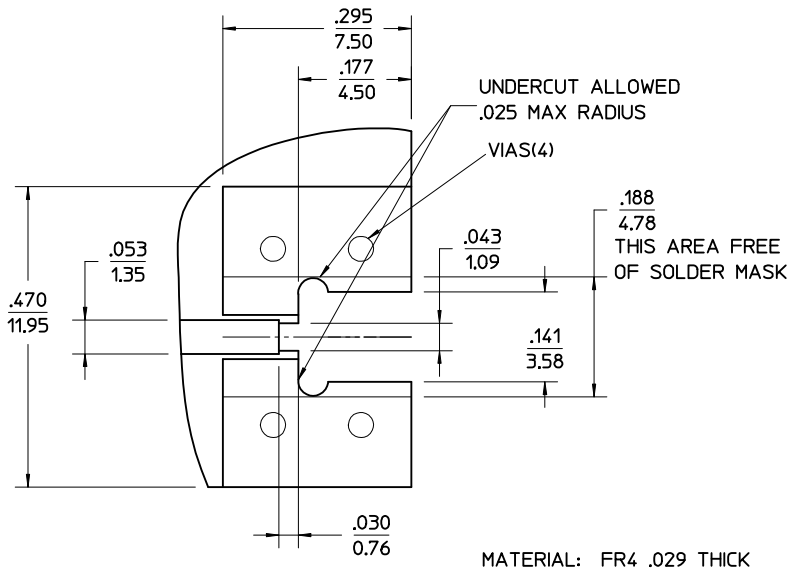
E

D

C

B

A



ENTER DESCRIPTION EC NO: URF2005-0275 DRAWN: JTSAO 2005/01/24 CHKD: JOHNSON 2005/01/27 APPR: HUANG 2005/01/27 C1	QUALITY SYMBOLS ▽=0 ▽=0	GENERAL TOLERANCES (UNLESS SPECIFIED) <table border="1"> <tr> <td></td> <td>mm</td> <td>INCH</td> </tr> <tr> <td>4 PLACES</td> <td>± ---</td> <td>± ---</td> </tr> <tr> <td>3 PLACES</td> <td>± 0.05</td> <td>± ---</td> </tr> <tr> <td>2 PLACES</td> <td>± 0.08</td> <td>± ---</td> </tr> <tr> <td>1 PLACE</td> <td>± 0.10</td> <td>± ---</td> </tr> <tr> <td colspan="3">ANGULAR ± 2 °</td> </tr> </table>		mm	INCH	4 PLACES	± ---	± ---	3 PLACES	± 0.05	± ---	2 PLACES	± 0.08	± ---	1 PLACE	± 0.10	± ---	ANGULAR ± 2 °			DIMENSION STYLE IN/MM	SCALE ---	DESIGN UNITS METRIC	THIRD ANGLE PROJECTION
		mm	INCH																					
	4 PLACES	± ---	± ---																					
	3 PLACES	± 0.05	± ---																					
2 PLACES	± 0.08	± ---																						
1 PLACE	± 0.10	± ---																						
ANGULAR ± 2 °																								
DRAFT WHERE APPLICABLE MUST REMAIN WITHIN DIMENSIONS		DRAWN BY JOHN	DATE 2004/10/04	TITLE MMCX JACK, EDGE LAUNCHER MMCX-J/PCB																				
SEE TABLE		CHECKED BY PAT	DATE 2004/10/04	MOLEX INCORPORATED																				
MATERIAL NO.		APPROVED BY MISEN		DATE 2004/10/04	DOCUMENT NO. SD-73415-126	SHEET NO. 2 OF 02																		