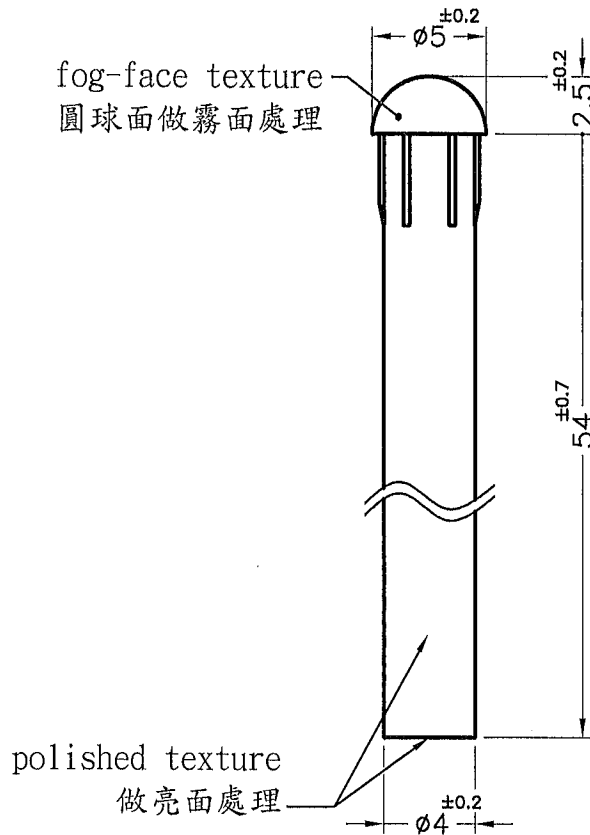
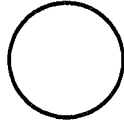

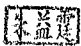


REVISIONS			
REV	DESCRIPTION	DATE	BY



MOUNTING HOLE $\phi 4.3$

NOTE: MADE OF EQUIVALENT MATERIAL.
使用同等材質

 <p>康揚企業股份有限公司 KANG YANG HARDWARE ENTERPRISE CO., LTD. 康揚塑膠(東莞)有限公司 KANG YANG PLASTIC(DONG GUAN) CO., LTD. 康哲電腦配件(吳江)有限公司 KANG CHE COMPUTER COMPONENTS(WUJIANG) CO., LTD.</p>	TITLE LED LIGHT PIPE		SPEC. DWG.	
	MATERIAL PC UL94V-2		DATE 2015.05.28	
	FINISH		DRAWN LUKE	
	COLOR TRANSPARENT		CHECK 	
PART NUMBER LEM-202	DRAWING NUMBER LEM-202		UNLESS OTHERWISE SPECIFIED TOLERANCE SEE ABOVE	
SIZE A4	SCALE 3:1	UNIT mm	REV A	APPROVED 