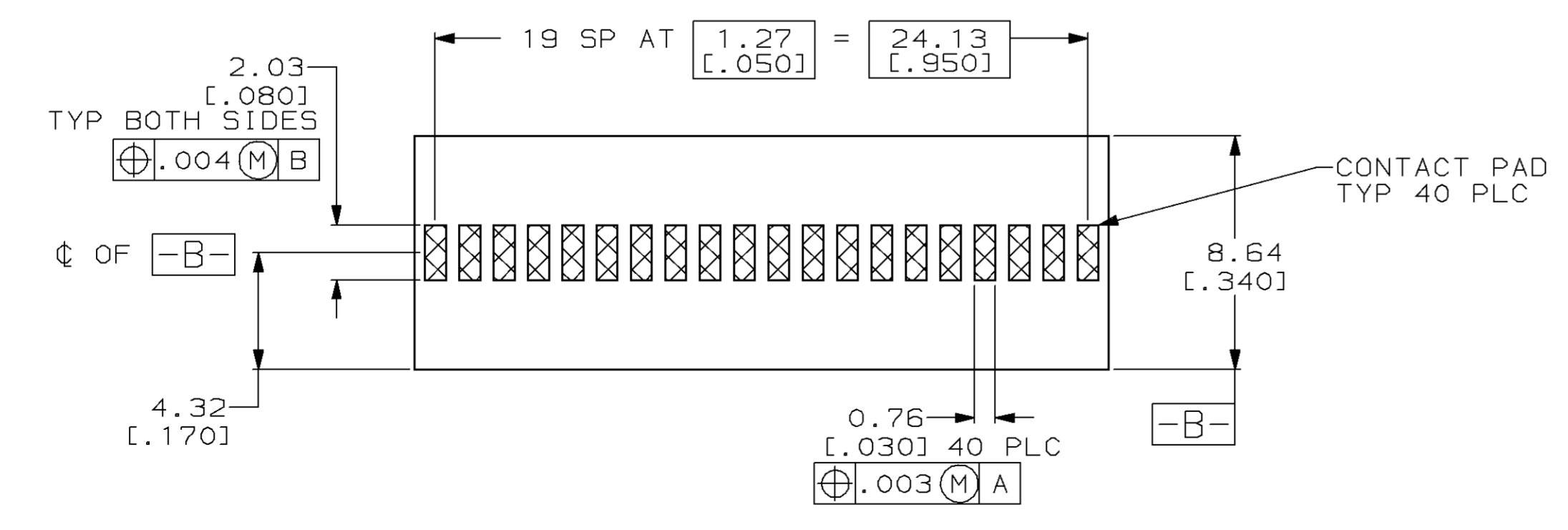
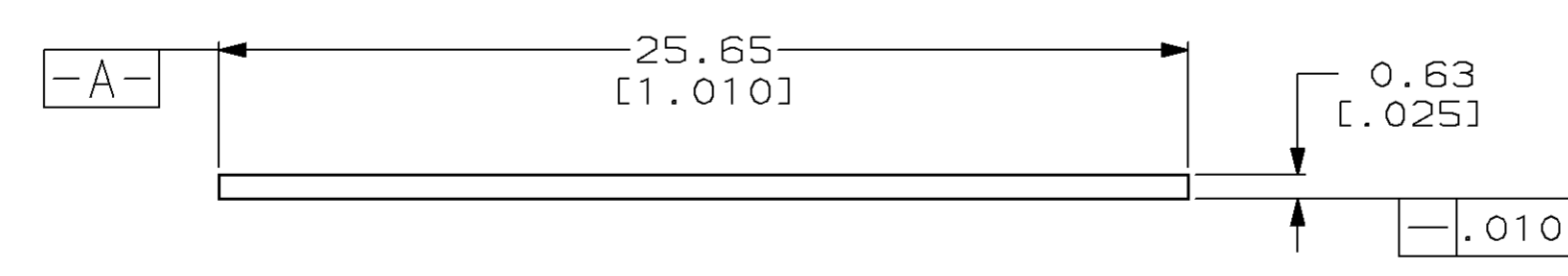
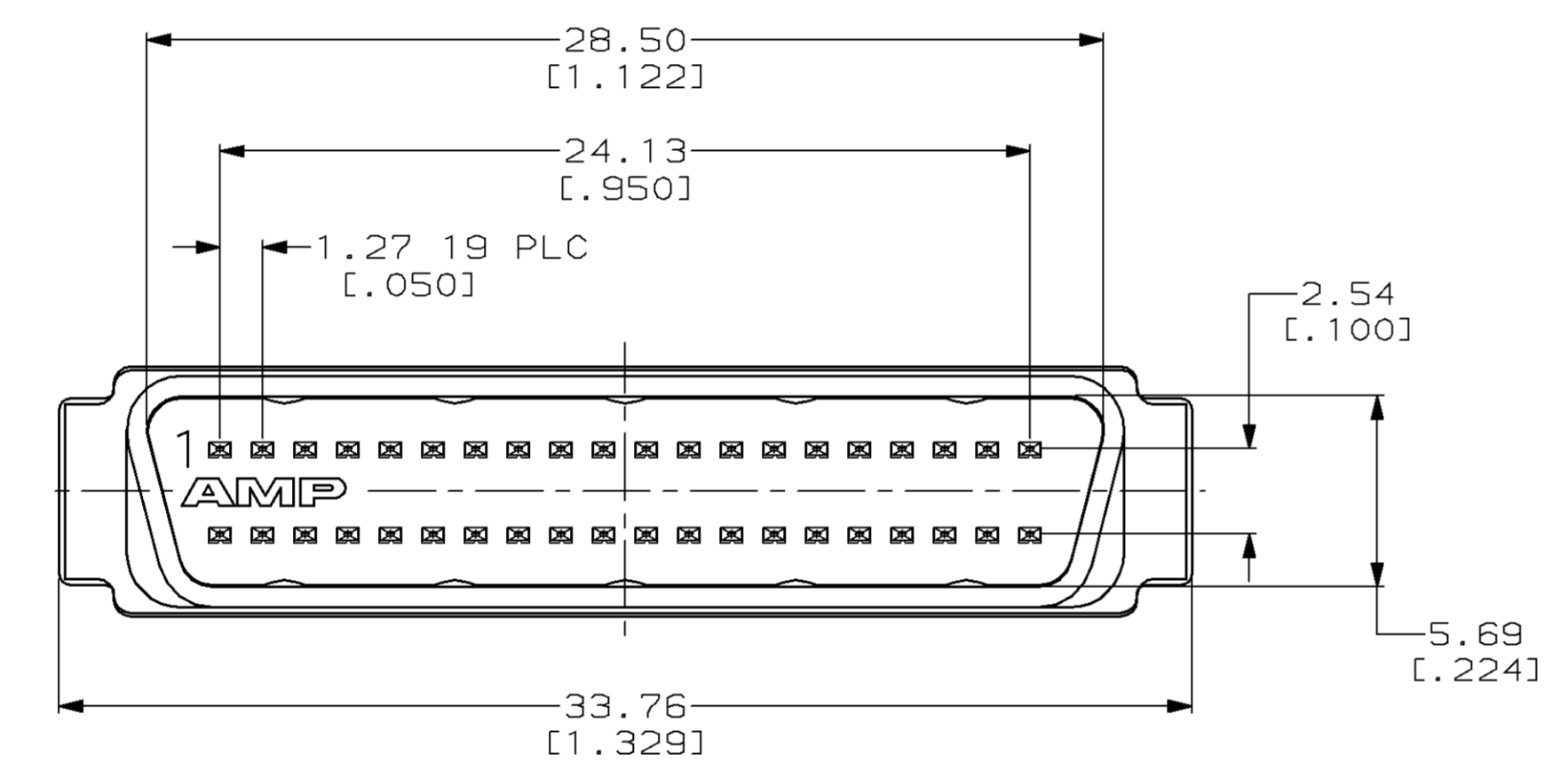
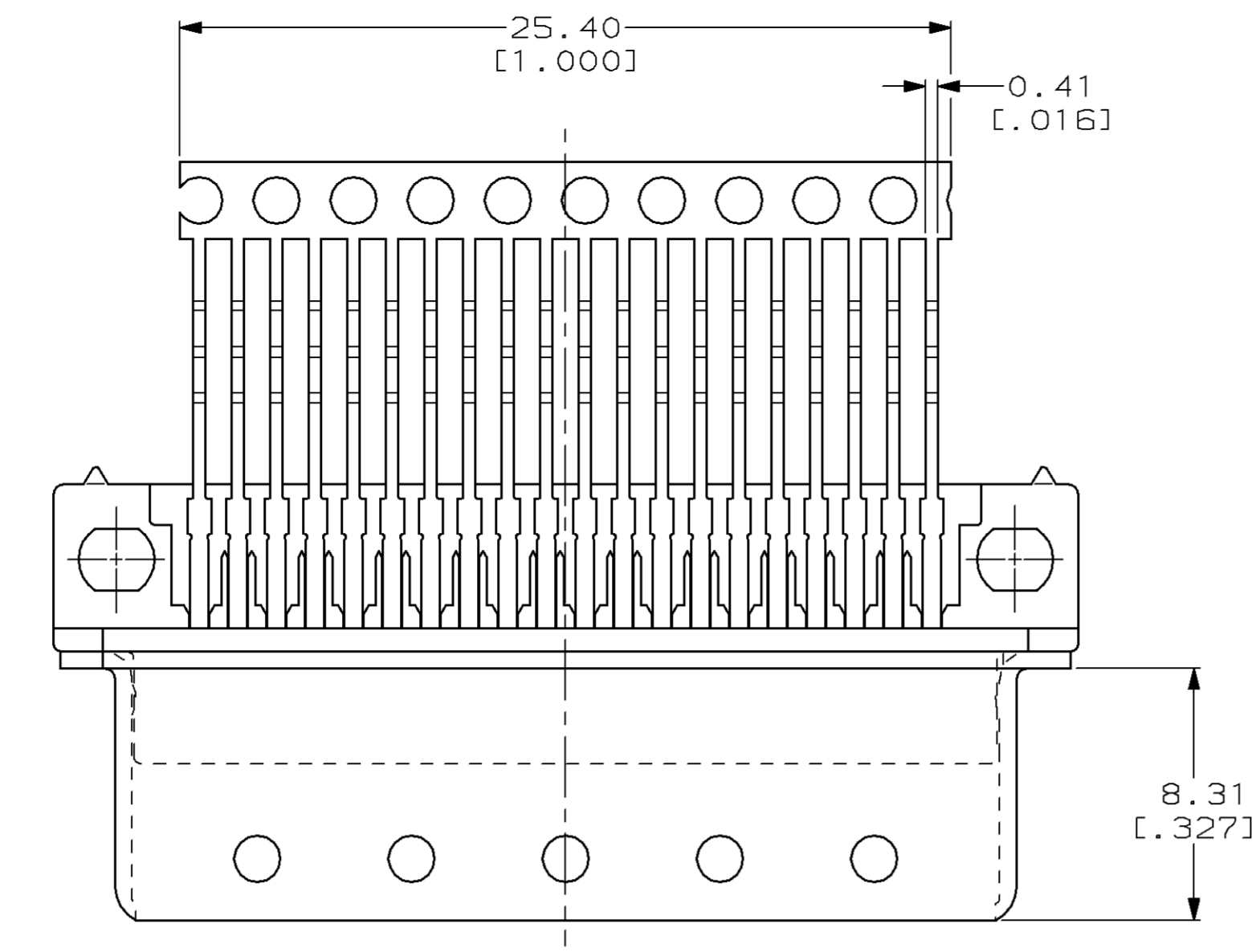
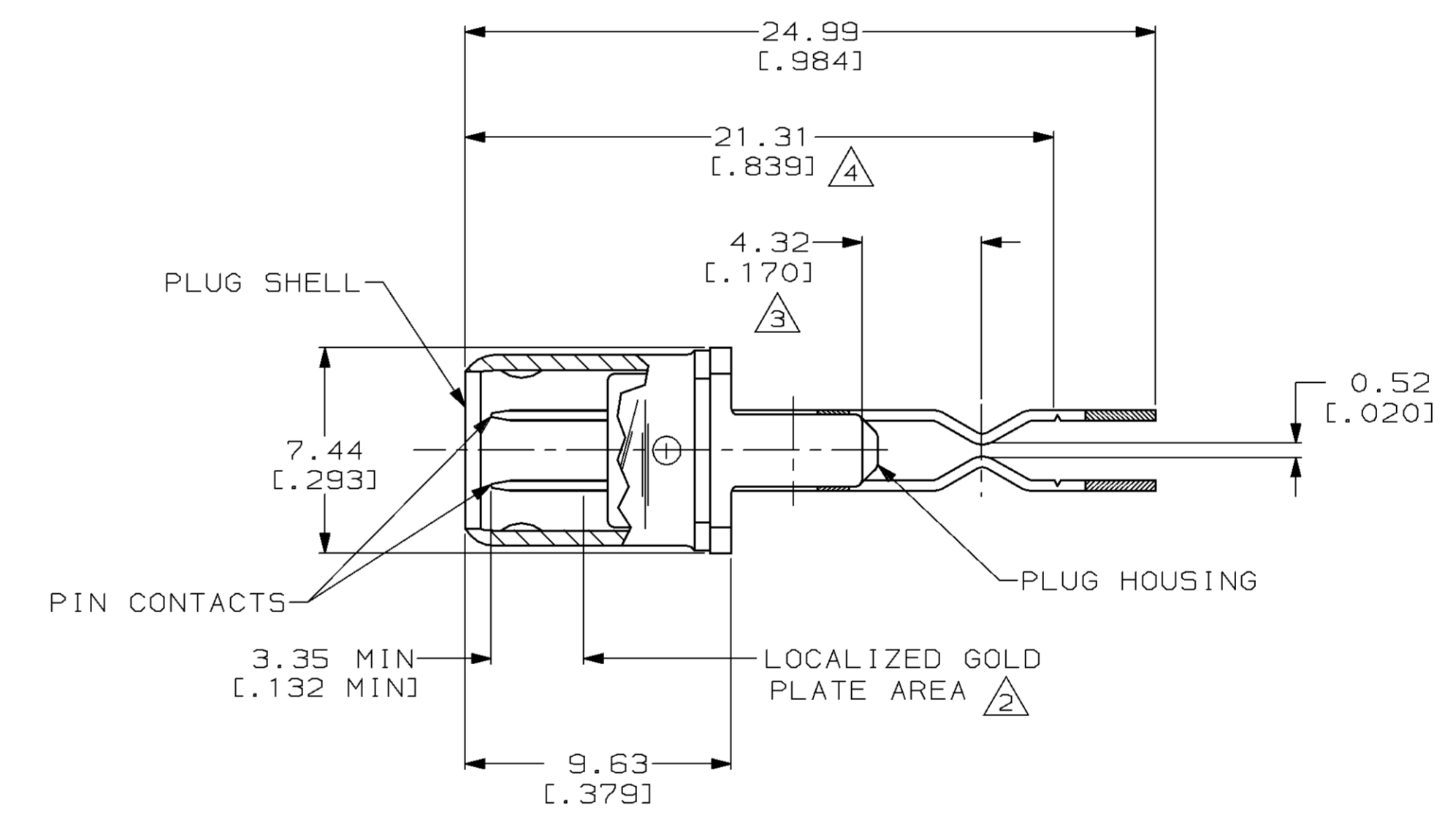


MOD		LOC	Q1ST	P	F	ZONE	LTR	DESCRIPTION	DATE	APPD
1	1	BD	62					0 RLSE PER NPR 2654	01/19/90	-
								A REV PER EC 0020-319-93	03/15/93	MP
								B REV PER EC 0020-1461-93	02/07/94	MP



P.C. BOARD LAYOUT

- 1 MATERIAL:
 PIN CONTACTS- PHOSPHOR BRONZE.
 PLUG SHELL- STEEL.
 PLUG HOUSING- UL V-0 RATED THERMOPLASTIC, COLOR: BLACK.
- 2 PLATING:
 PIN CONTACTS- 0.00076 [0.000030] MINIMUM GOLD PLATE IN LOCALIZED GOLD PLATE AREA, OVER 0.00127 [0.000050] MINIMUM NICKEL.
 PLUG SHELL- 0.00508 [0.000200] MINIMUM BRIGHT TIN PLATE OVER 0.00127 [0.000050] MINIMUM COPPER.
- 3 DIMENSION IS FROM REAR OF HOUSING TO ϕ OF BEND.
- 4 LENGTH OF ASSEMBLY AFTER REAR CARRIER IS REMOVED.



DO NOT SCALE PRINT. UNLESS SPECIFIED DIMENSIONS IN mm [INCHES] TOLERANCES ON:		DR 01/19/90 S.G.SMITH		749556-1 PART NO	
2 PLC DEC ± -		CHK 01/19/90 K.ULERY		AMP INCORPORATED Harrisburg, Pa. 17105	
3 PLC DEC ±0.38 [0.015]		APPD 2/7/90 B.H.MOSSER		NAME	
ANGLES ± -		APPD 01/19/90 E.C.MYERS		PLUG SUBASSEMBLY, 40 POSITION, TERMINATION CONNECTOR, AMPLIMITE .050 Series	
MATERIAL		PRODUCT SPEC		SIZE	
-		-		D 00779	
FINISH		APPLICATION SPEC		CAGE CODE	
-		-		00779	
WEIGHT		SCALE		DRAWING NO	
-		5:1		749556	
				SHEET 1 OF 1	