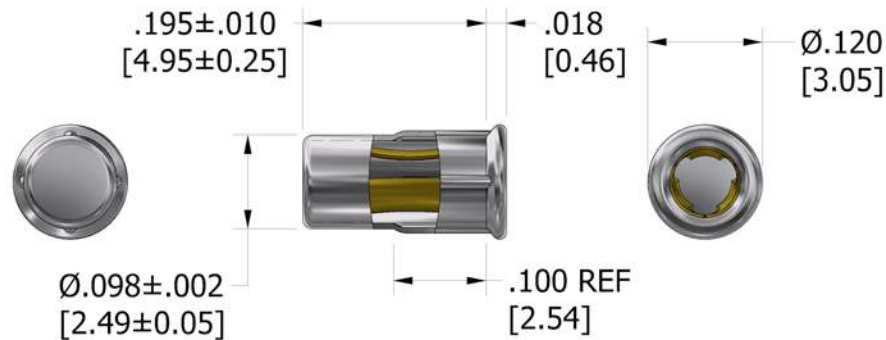


**450-1804 Press Mount Socket,
 For .060 (1,52) to .062 (1,57) Diameter Pins**
 Recommended mounting hole .102 (2,59) ±.002 (0,05), #38 drill



Min hole depth .200 (5,08)

How to order code
450-1804-01-XX-00
Basic Part No XX = Finish

MATERIALS				
Component	Material	Finish (-03)	Finish (-04)	Finish (-06)
Body	Brass	Gold over Nickel	Electro Tin	Electro Tin
Spring	Beryllium copper	Gold over Nickel	Electro Tin	Gold over Nickel



Dimensions in inches [mm]
 Tolerance unless otherwise stated ±.005 [0.13]