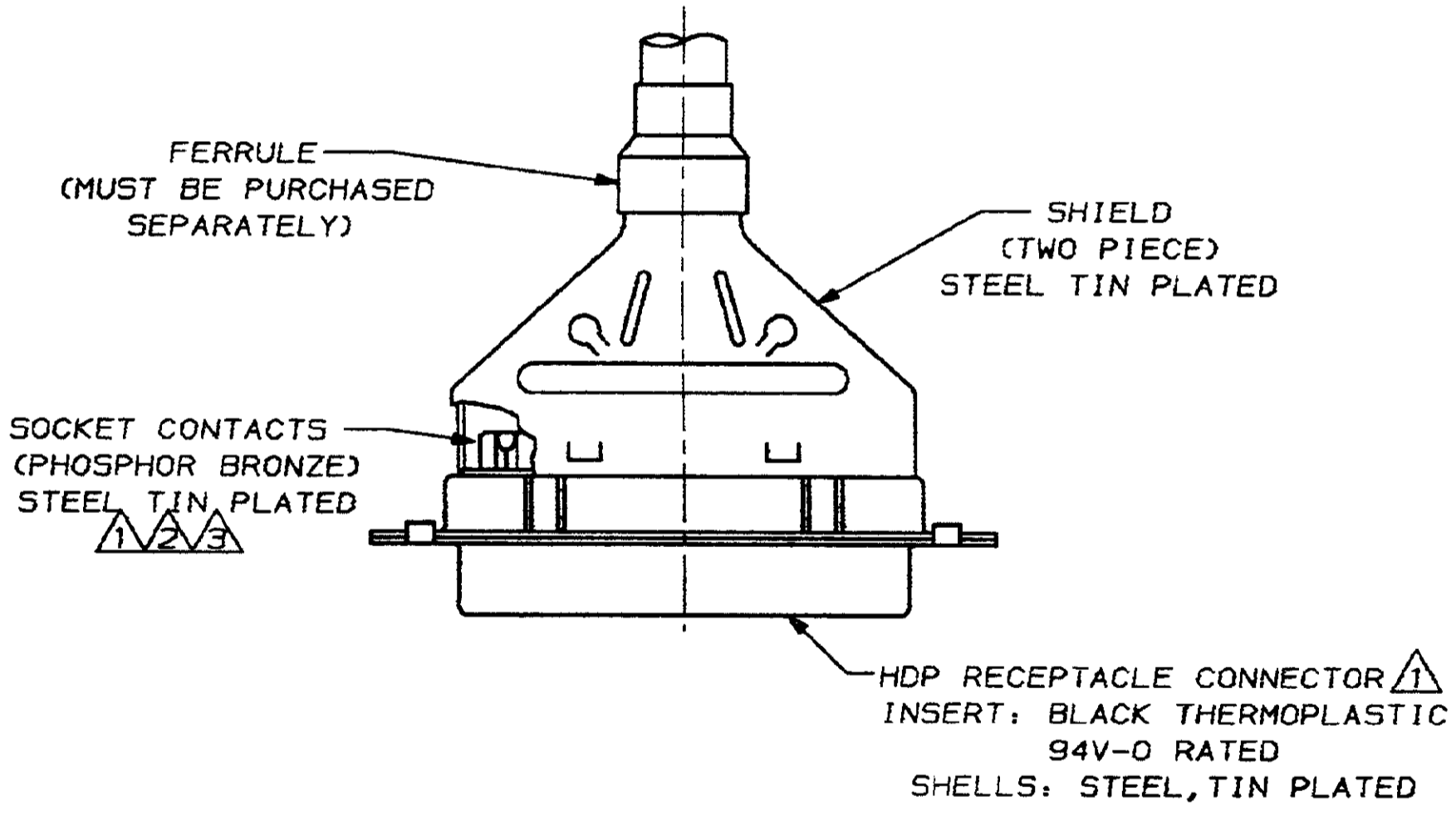
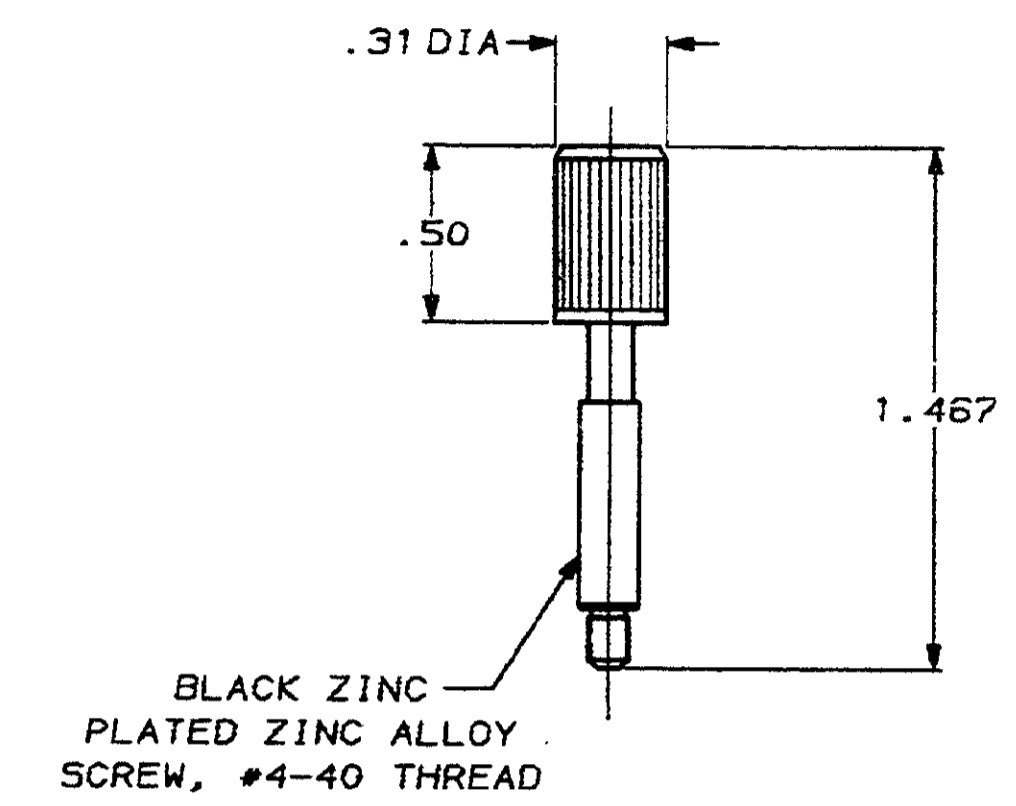
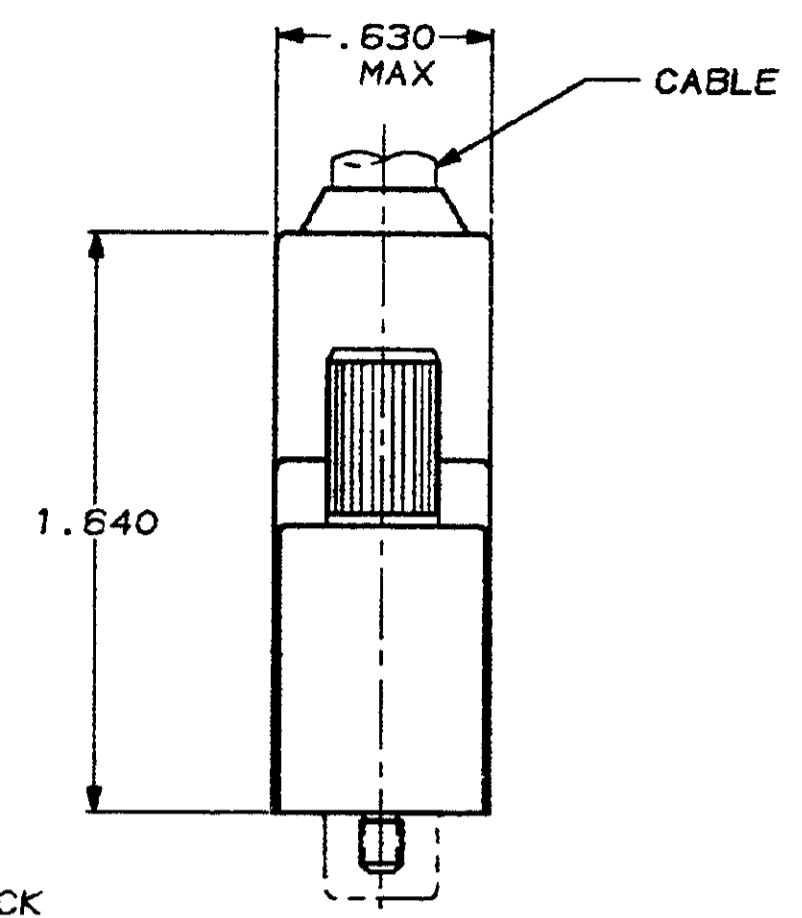
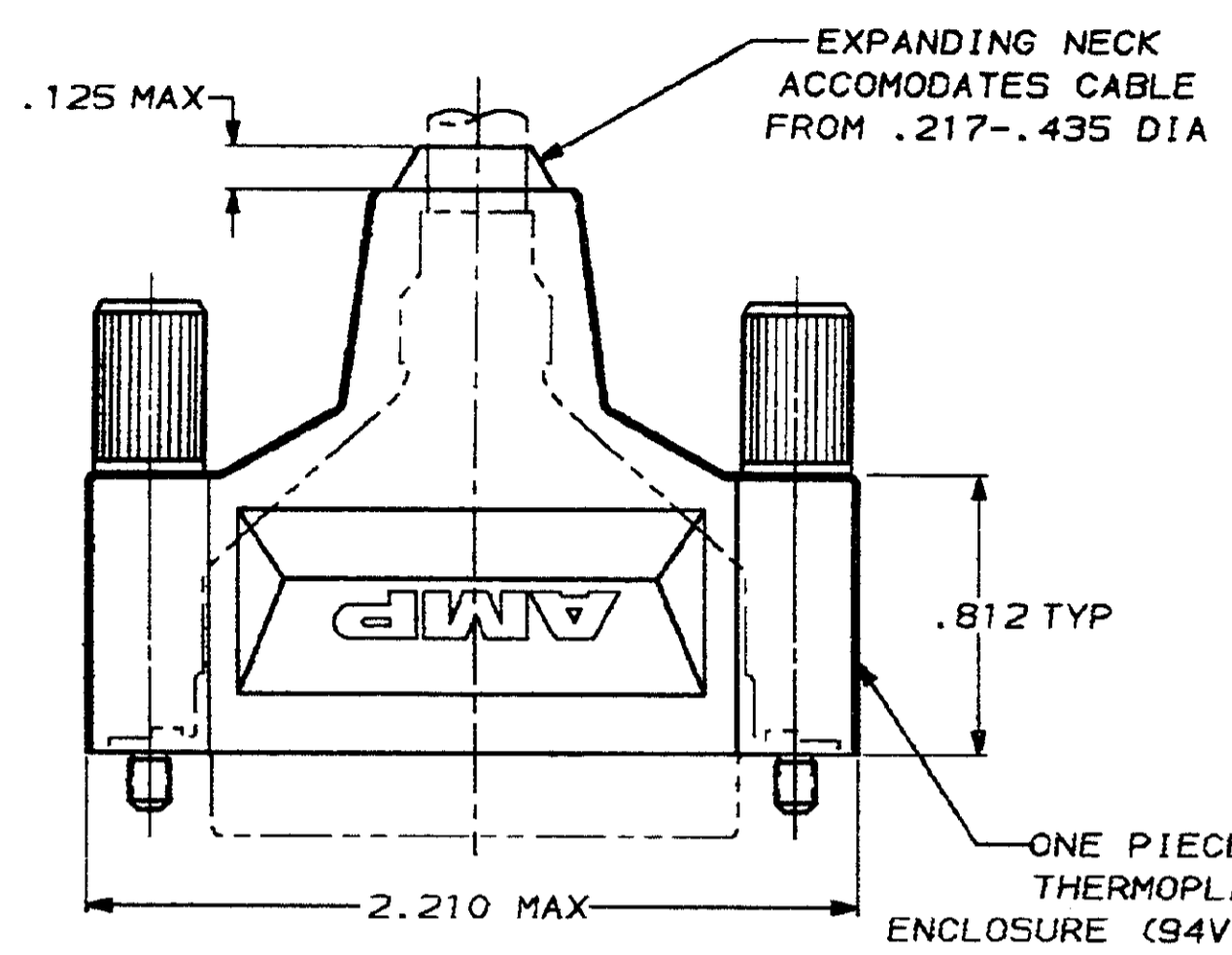


DRAWING MADE IN THIRD ANGLE PROJECTION

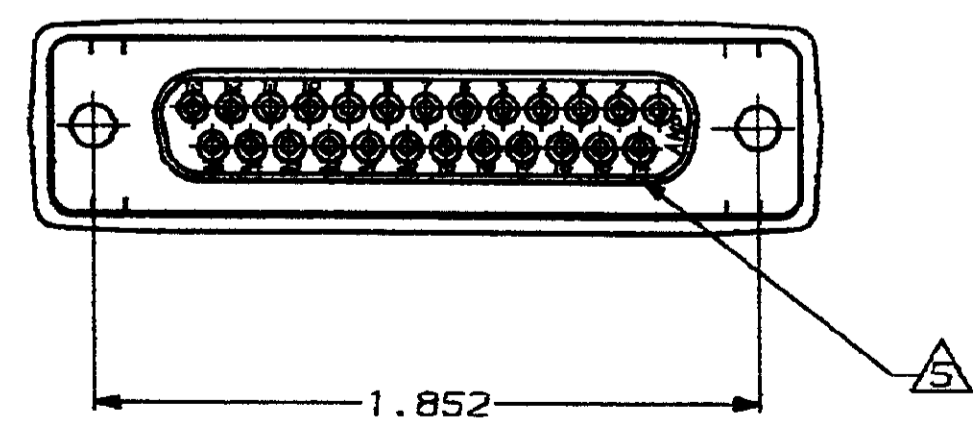
THIS DRAWING IS UNPUBLISHED. RELEASED FOR PUBLICATION .18
 © COPYRIGHT 19 BY AMP INCORPORATED. ALL INTERNATIONAL RIGHTS RESERVED.

MOD	LOC	QTY	REV	ZONE	LTR	DESCRIPTION	DATE	APPR
2	BD	39			C	REDRAWN	6/7/90	-
					D	REV PER ECN BD4493	12/12/90	-
					E	REV PER ECN BD4814	05/21/91	-
					F	REVISED PER ECN BD6133	04/02/92	TMS



- 1 RECEPTACLE CONNECTOR FULLY LOADED WITH CONTACTS. ALL OTHER PARTS ARE SHIPPED UNASSEMBLED. (EACH PART INDIVIDUALLY BULK PACKED).
- 2 SOLDER CUP WILL ACCOMMODATE AWG 20 MAX WIRE.
- 3 CONTACTS PLATED WITH GOLD FLASH ON MATING END FOR .150 MIN LENGTH. .000150-.000300 TIN-LEAD PLATE ON SOLDER CUP WITH .000030 NICKEL UNDERPLATE ON ENTIRE CONTACT.
- 4 ALTERNATE FINISH ON CONTACTS AVAILABLE AT CUSTOMER'S REQUEST.
- 5 RAISED CAVITY IDENTIFICATION AND AMP TRADEMARK.

CONTACT FINISH	748051-1
PART NUMBER	



DO NOT SCALE PRINT. UNLESS SPECIFIED DIMENSIONS IN INCHES TOLERANCES ON: 2 PLC DEC ± - 3 PLC DEC ± .020 ANGLES ± -	DR 6/7/90 A. STAUB 86	AMP INCORPORATED Harrisburg, Pa. 17105	
	CHK 8-31-90 J. McCLINTON		
MATERIAL SEE CALL OUT	APPD 9-4-90 BOB TAYLOR	NAME BULK KIT, RCPT, AMPLIMIT™, SHLDG ENCLOSURE, SOLDER CUP 25 POSN, SIZE 3, HDP-20	
	APPD 9-4-90 J. ASSINI	SIZE C	FSCM NO 00779
FINISH SEE CALL OUT	PRODUCT SPEC -	DRAWING NO 748051	SHEET 1 OF 1
	APPLICATION SPEC -	SCALE 2:1	
WEIGHT -			